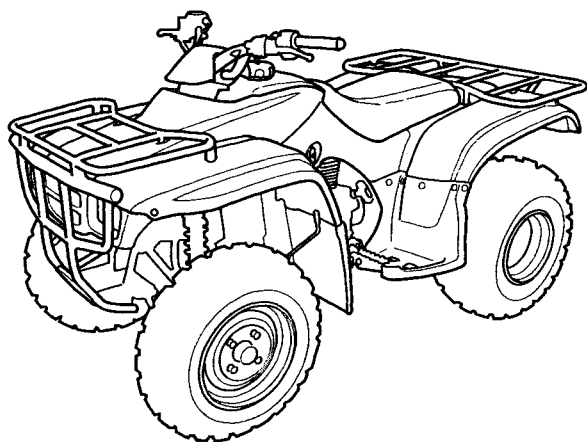


**2001  
TRX 250**

## **HONDA FOURTRAX RECON OWNER'S MANUAL**



### **FOR OFF-ROAD USE ONLY**

This vehicle is designed and manufactured for off-road use only.

USA only:

It conforms to US EPA Noise Emission regulations, but does not conform to Federal Motor Vehicle Safety Standards or US EPA Exhaust Emission regulations, and operation on public streets, roads, or highways is illegal. The vehicle is equipped with a USDA qualified spark arrester. Obey local laws and regulations.

It conforms to California exhaust emission regulations for ATVs.

## PREFACE

Thank you for buying a Honda FOURTRAX. Honda takes pride in a worldwide reputation for quality—in research, design, production and service. Quality is the hallmark of all Honda products and one reason why Honda is the leading manufacturer of ATVs.

Help assure your FOURTRAX's future reliability and performance by paying extra attention to how you ride during the first operating day or 15 miles (25 km). During this period, avoid full-throttle starts and rapid acceleration.

For replacement parts and accessories, we recommend genuine Honda products. They've been specially designed for your vehicle and manufactured to meet Honda's demanding standards.

This manual contains a Maintenance Schedule and information on basic maintenance procedures. If you have the required skills and tools, your Honda dealer can supply you with an Official Honda Service Manual to help you perform more advanced maintenance and repairs. When you need service, remember that your Honda dealer knows your vehicle best and is interested in your complete satisfaction.

We wish you many years of safe and enjoyable riding.

While reading this manual, remember:

### **▲WARNING**

**Indicates a strong possibility that serious injury or death may result if instructions are not followed.**

All information in this publication is based on the latest product information available at the time of approval for printing. Honda Motor Co., Ltd. reserves the right to make changes at any time without notice and without incurring any obligation.

© Honda Motor Co., Ltd. 2000. No part of this publication may be reproduced without written permission from Honda Motor Co., Ltd.

## CONTENTS

	Page
<b>FOURTRAX SAFETY</b> .....	<b>1</b>
Special Safety Messages .....	1
Warning Information.....	6
<b>PARTS LOCATION AND OPERATION</b> .....	<b>10</b>
Parts Location .....	10
Parts Operation.....	13
Power Controls .....	13
Lights .....	20
Gearshift Controls.....	22
Brake Controls.....	24
Fuel Tank .....	25
Engine Oil .....	27
Additional Features .....	28
<b>RIDING YOUR FOURTRAX</b> .....	<b>32</b>
Before Riding .....	32
Rider Preparation .....	32
Vehicle Preparation .....	34
Safe Riding Rules.....	42
Riding.....	54
Starting the Engine .....	55
Shifting Gears .....	59
Riding in Reverse .....	60
Making Turns .....	62
Riding Up Hills .....	65
Riding Down Hills .....	72
Crossing Slopes .....	74
Making Turns on Slopes.....	75
Riding Over Obstacles .....	76
Riding Through Water .....	77
Parking.....	78

(cont'd)

## CONTENTS

	Page
<b>MAINTENANCE AND REPAIRS</b> .....	79
Emission Requirements(USA only).....	79
Maintenance Schedule .....	80
Maintenance Precautions .....	82
Tool Kit.....	83
Fuel System .....	84
Lubrication.....	96
Engine .....	101
Clutch .....	103
Electrical System.....	105
Brakes .....	109
Wheels and Tires.....	119
Seat Removal .....	124
Skid Plates .....	125
Spark Arrester .....	126
<b>TRANSPORTING YOUR FOURTRAX</b> .....	128
<b>CLEANING YOUR FOURTRAX</b> .....	131
<b>STORING YOUR FOURTRAX</b> .....	133
<b>SPECIFICATIONS</b> .....	136
<b>WIRING DIAGRAM</b> .....	138
<b>CONSUMER INFORMATION</b> .....	139
<b>WARRANTY SERVICE</b> .....	141
<b>SERIAL NUMBERS AND COLOR LABEL</b> .....	142
<b>INDEX</b> .....	143
<b>AUTHORIZED MANUALS</b> .....	149

## FOURTRAX SAFETY

### SPECIAL SAFETY MESSAGES

#### AN ATV IS NOT A TOY AND CAN BE HAZARDOUS TO OPERATE.

An ATV handles differently from other vehicles including motorcycles and cars. A collision or rollover can occur quickly, even during routine maneuvers such as turning and driving on hills or over obstacles, if you fail to take proper precautions.

SEVERE INJURY OR DEATH can result if you do not follow these instructions:

- Read this manual and all labels carefully and follow the operating procedures described.
- Never operate an ATV without proper instruction.  
Take a training course. Beginners should receive training from a certified instructor. Contact an authorized ATV dealer or call 1-800-887-2887 (USA only) to find out about the training courses nearest you.
- Always follow this age recommendation: A child under 16 years old should never operate an ATV with engine size greater than 90 cc.
- Never allow a child under age 16 to operate an ATV without adult supervision, and never allow continued use of an ATV by a child if he or she does not have the abilities to operate it safely.

- **Never carry a passenger on an ATV.**
- **Never operate an ATV on any paved surfaces, including sidewalks, driveways, parking lots and streets.**
- **Never operate an ATV on any public street, road or highway, even a dirt or gravel one.**
- **Never operate an ATV without wearing an approved motorcycle helmet that fits properly. You should also wear eye protection (goggles or face shield), gloves, boots, long-sleeved shirt or jacket, and long pants.**
- **Never consume alcohol or drugs before or while operating this ATV.**
- **Never operate at excessive speeds. Always go at a speed that is proper for the terrain, visibility, operating conditions, and your experience.**
- **Never attempt wheelies, jumps, or other stunts.**
- **Always inspect your ATV each time you use it to make sure it is in safe operating condition. Always follow the inspection and maintenance procedures and schedules described in this manual.**
- **Always keep both hands on the handlebars and both feet on the footpegs of the ATV during operation.**

- **Always go slowly and be extra careful when operating on unfamiliar terrain. Always be alert to changing terrain conditions when operating the ATV.**
- **Never operate on excessively rough, slippery or loose terrain until you have learned and practiced the skills necessary to control the ATV on such terrain. Always be especially cautious on these kinds of terrain.**
- **Always follow proper procedures for turning as described in this manual. Practice turning at low speeds before attempting to turn at faster speeds. Do not turn at excessive speed.**
- **Never operate the ATV on hills too steep for the ATV or for your abilities. Practice on smaller hills before attempting larger hills.**
- **Always follow proper procedures for climbing hills as described in this manual. Check the terrain carefully before you start up any hill. Never climb hills with excessively slippery or loose surfaces. Shift your weight forward. Never open the throttle suddenly or make sudden gear changes. Never go over the top of any hill at high speed.**
- **Always follow proper procedures for going down hills and for braking on hills as described in this manual. Check the terrain carefully before you start down any hill. Shift your weight backward. Never go down a hill at high speed. Avoid going down a hill at an angle that would cause the vehicle to lean sharply to one side. Go straight down the hill where possible.**

- **Always follow proper procedures for crossing the side of a hill as described in this manual. Avoid hills with excessively slippery or loose surfaces. Shift your weight to the uphill side of the ATV. Never attempt to turn the ATV around on any hill until you have mastered the turning technique described in this manual on level ground. Avoid crossing the side of a steep hill if possible.**
- **Always use proper procedures if you stall or roll backwards when climbing a hill. To avoid stalling, use the proper gear and maintain a steady speed when climbing a hill. If you stall or roll backwards, follow the special procedure for braking described in this manual. Dismount and follow the procedures provided in this manual.**
- **Always check for obstacles before operating in a new area. Never attempt to operate over large obstacles, such as large rocks or fallen trees. Always follow proper procedures when operating over obstacles as described in this manual.**
- **Always be careful when skidding or sliding. Learn to safely control skidding or sliding by practicing at low speeds and on level, smooth terrain. On extremely slippery surfaces, such as ice, go slowly and be very cautious in order to reduce the chance of skidding out of control.**



- Never operate an ATV in fast flowing water or in water deeper than that specified in this manual. Remember that wet brakes may have reduced stopping ability. Test your brakes after leaving water. If necessary, apply them several times to let friction dry out the linings.
- Always be sure there are no obstacles or people behind you when you operate in reverse. When it is safe to proceed in reverse, go slowly.
- Always use the size and type tires specified in this manual. Always maintain proper tire pressure as described in this manual.
- Never modify an ATV through improper installation or use of accessories.
- Never exceed the stated load limits for an ATV. Cargo should be properly distributed and securely attached. Reduce speed and follow instructions in this manual for carrying cargo or pulling a trailer. Allow greater distance for braking.

**FOR MORE INFORMATION ABOUT ATV SAFETY**, call the Consumer Product Safety Commission at 1-800-638-2772, or the ATV Distributors' Safety Hotline at 1-800-852-5344 (USA only).

**California Proposition 65 Warning**

**WARNING:** This product contains or emits chemicals known to the State of California to cause cancer and birth defects or other reproductive harm.

## **WARNING INFORMATION**


Your FOURTRAX comes with a hang tag (USA only) and several labels containing important safety information. Anyone who rides the vehicle should read and understand this information before riding.

The labels should be considered as permanent parts of the vehicle. If a label comes off or becomes hard to read, contact your Honda dealer for replacements.

USA only

**⚠ WARNING**

Improper use of ATVs can result in SEVERE INJURY or DEATH



**ALWAYS USE AN APPROVED HELMET AND PROTECTIVE GEAR**    **NEVER USE ON PUBLIC ROADS**    **NEVER CARRY PASSENGERS WITH DRUGS OR ALCOHOL.**    **NEVER USE WITH DRUGS OR ALCOHOL.**

**NEVER operate:**

- without proper training or instruction.
- at speeds too fast for your skills or the conditions.
- on public roads - a collision can occur with another vehicle.
- with a passenger - passengers affect balance and steering and increase risk of losing control.

**ALWAYS:**

- use proper riding techniques to avoid vehicle overturns on hills and rough terrain and in turns.
- avoid paved surfaces - pavement may seriously affect handling and control.

**READ THE OWNER'S MANUAL.**

**FOLLOW ALL INSTRUCTIONS AND WARNINGS.**

**U**

**UTILITY MODEL**

**THIS ATV IS FOR UTILITY USE**

**OPERATOR ONLY-NO PASSENGERS**

**NO OPERATOR UNDER AGE 16**

---

**THIS CATEGORY U (UTILITY) ATV IS FOR OFF ROAD USE ONLY. IT IS MAINLY FOR UTILITY USE BUT IT MAY ALSO BE USED FOR GENERAL RECREATION.**

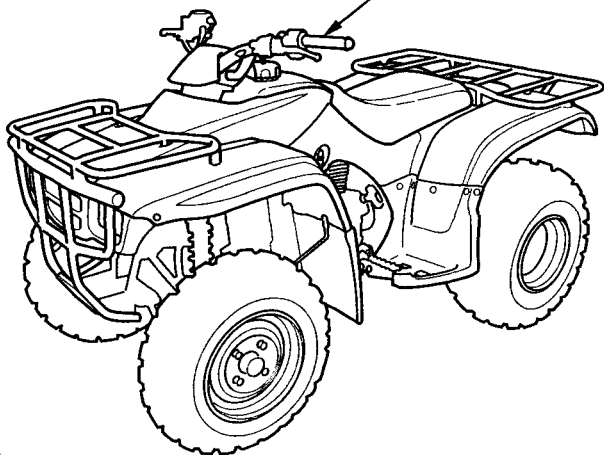
---

**TRAINING COURSES TO TEACH ATV RIDING SKILLS ARE AVAILABLE. FOR INFORMATION CONTACT YOUR DEALER.**

---

**CHECK WITH YOUR DEALER TO FIND OUT ABOUT STATE OR LOCAL LAWS REGARDING ATV OPERATION.**

©2008 HONDA MOTOR CO., LTD. HONDA MOTOR CO., LTD.

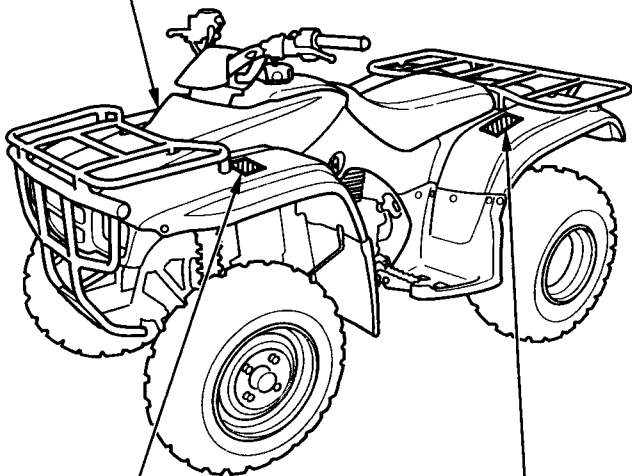


**⚠ WARNING**

**UNDER 16**

Operating this ATV if you are under the age of 16 increases your chance of severe injury or death.

**NEVER** operate this ATV if you are under age 16.



**⚠ WARNING**

Overloading this ATV or carrying cargo improperly can change handling, stability and braking performance and can lead to an accident.

Never exceed the maximum front cargo limit of: **33lbs (15kg)**.

Refer to instructions in the Owner's Manual.

**⚠ WARNING**

Improper tire pressure or overloading can cause loss of control. Loss of control can result in severe injury or death.

- Cold tire pressure;
  - Front: 20±3kPa 0.29±0.03kg/cm<sup>2</sup> 2.9±0.4psi
  - Rear: 20±3kPa 0.29±0.03kg/cm<sup>2</sup> 2.9±0.4psi
- Maximum weight capacity: 175kg (386lbs.)

## ⚠ WARNING



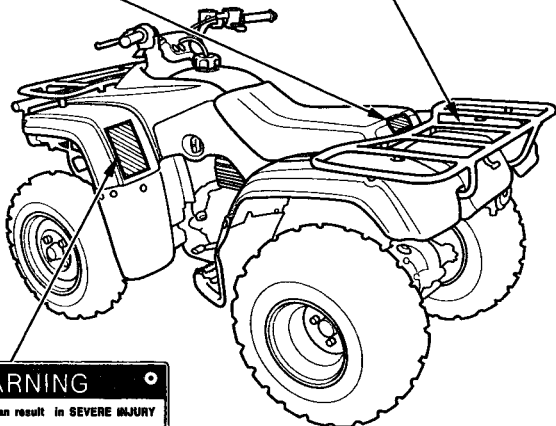
**NEVER** ride as a passenger.  
Passengers can cause a  
loss of control, resulting in  
**SEVERE INJURY** or **DEATH**.

## ⚠ WARNING

Overloading this ATV or carrying cargo  
improperly can change handling, stability  
and braking performance and can lead to an  
accident.

Never exceed the maximum rear cargo limit  
(combined weight on the rear rack and in  
the storage area) of: **66 lbs (30kg)**.

Refer to instructions in the Owner's  
Manual.



## ⚠ WARNING

Improper use of ATVs can result in **SEVERE INJURY**  
or **DEATH**



**ALWAYS USE**  
AN APPROVED  
HELMET AND  
PROTECTIVE  
GEAR

**NEVER USE**  
ON PUBLIC  
ROADS

**NEVER CARRY**  
PASSENGERS

**NEVER USE**  
WITH DRUGS  
OR ALCOHOL

### **NEVER** operate :

- without proper training or instruction. Ⓞ
- at speeds too fast for your skills or the conditions. Ⓞ
- on public roads - a collision can occur with another vehicle.
- with a passenger - passengers affect balance and steering and increase risk of losing control.

### **ALWAYS :**

- use proper riding techniques to avoid vehicle overturns on hills and rough terrain and in turns.
- avoid paved surfaces - pavement may seriously affect handling and control.

**READ THE OWNER'S MANUAL.**

**FOLLOW ALL INSTRUCTIONS AND WARNINGS.**

## PARTS LOCATION AND OPERATION

### PARTS LOCATION

- (1) Rear brake lever  
Parking brake
- (2) Reverse selector knob
- (3) Headlight switch  
Engine stop switch  
Headlight dimmer switch  
Starter button
- (4) Choke knob
- (5) Reverse indicator lamp  
Neutral indicator lamp
- (6) Ignition switch
- (7) Throttle lever
- (8) Front brake lever

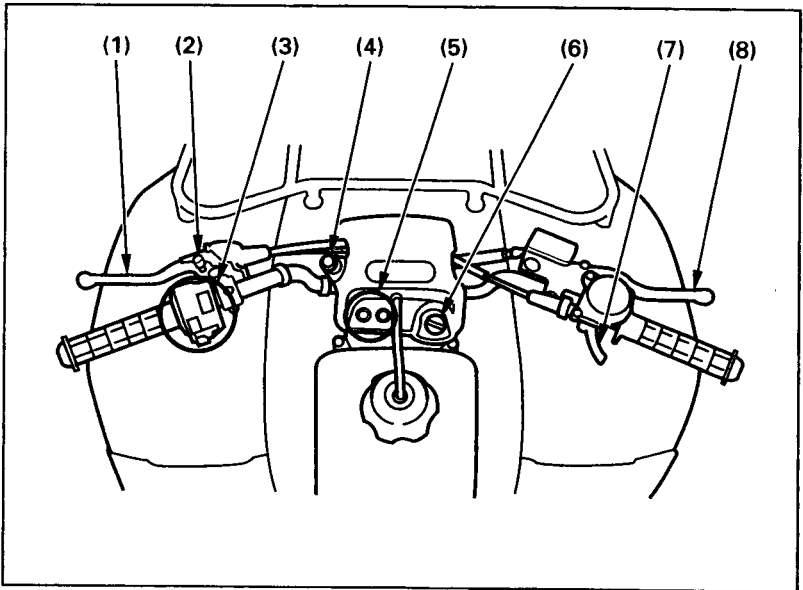


Fig. 2-1

Handlebars, from rider's point of view

- (9) Flag pole bracket
- (10) Rear cargo rack
- (11) Fuel fill cap
- (12) Helmet holder
- (13) Front cargo rack
- (14) Operator footpeg
- (15) Rear brake pedal
- (16) Headlights

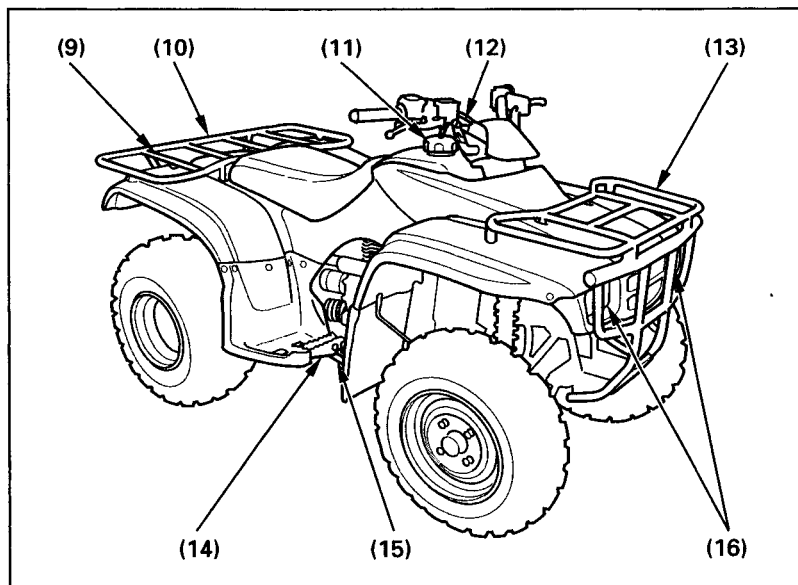


Fig. 2-2

Right side of FOURTRAX

- (17) Fuel valve
- (18) Owner's Manual storage
- (19) Storage compartment, containing:
  - Tool kit
  - Air pressure gauge
- (20) Oil filler cap/dipstick
- (21) Gearshift pedal
- (22) Operator footpeg

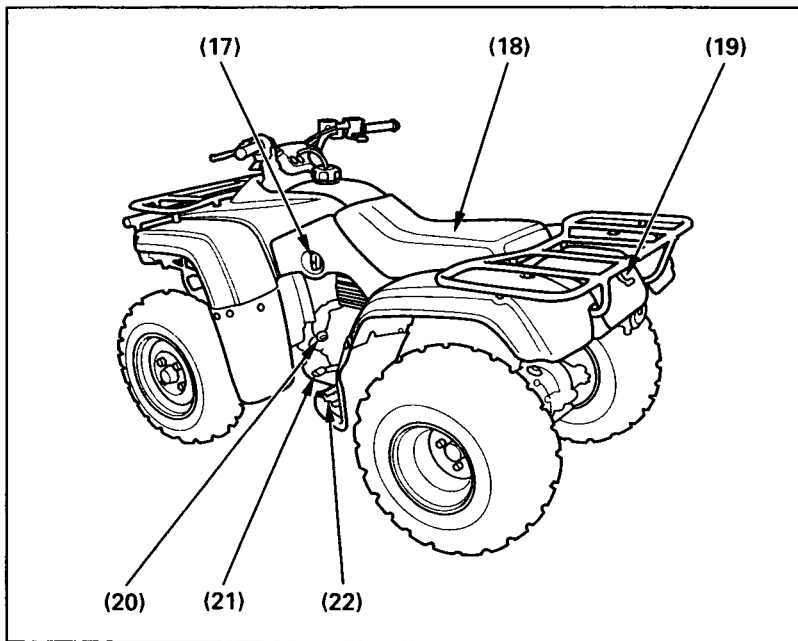


Fig. 2-3

Left side of FOURTRAX



## PARTS OPERATION

### POWER CONTROLS

#### Ignition Switch

The ignition switch (Fig. 2-4) is in the center of the handlebars directly in front of the seat.

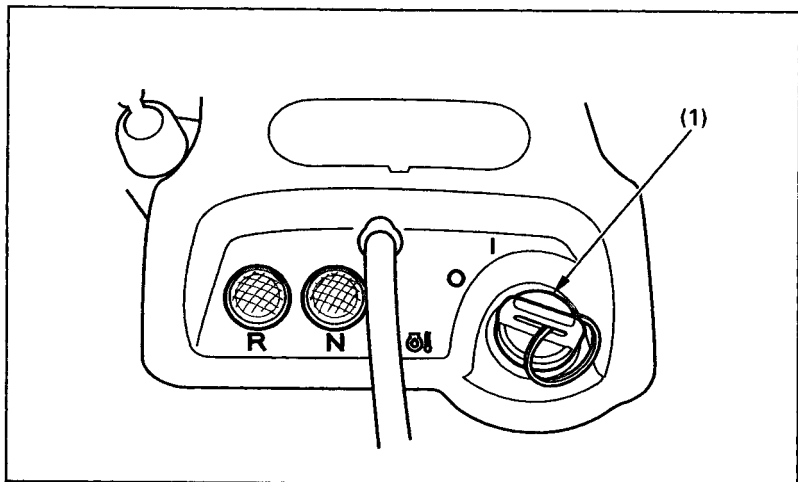


Fig. 2-4

(1) Ignition switch

Key Position	Function	Key Removal
○ (OFF)	The engine and headlight cannot be operated.	The key can be removed.
I (ON)	The headlights can be turned on.  With the engine stop switch at RUN and the transmission in neutral, the engine can be started.	The key cannot be removed.

### Engine Stop Switch

The engine stop switch (Fig. 2-5 ) is next to the left handgrip, and it has three positions. When the switch is in the RUN (  $\bigcirc$  ) position, the engine will operate. When the switch is in either OFF (  $\otimes$  ) position, the engine will not operate.

This switch is intended primarily as a safety or emergency control, and it should normally remain in the RUN (  $\bigcirc$  ) position.

#### NOTE:

If you stop your FOURTRAX by turning the engine stop switch OFF (  $\otimes$  ), be sure to turn the ignition switch OFF (  $\bigcirc$  ) to prevent battery discharge.

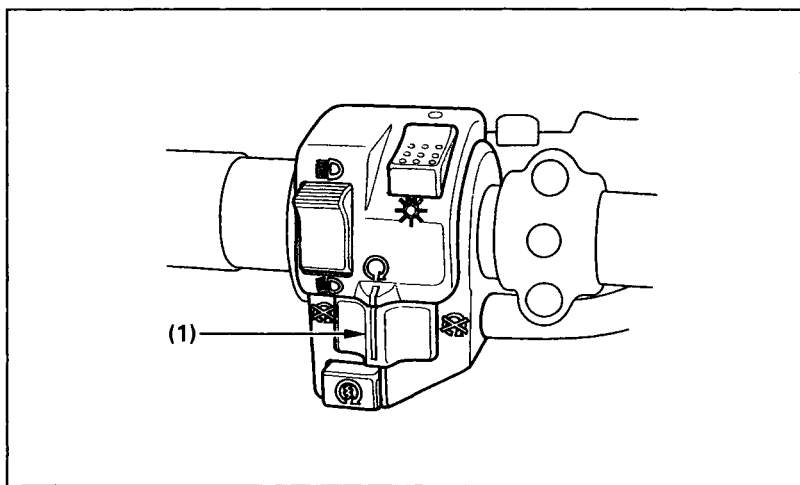


Fig. 2-5

(1) Engine stop switch

## Choke Knob

The choke knob (Fig.2-6) is located above the indicator lamp. The choke has three positions: fully ON (A), halfway position (B), and fully OFF (C).

To start a cold engine when air temperature is 10–35 °C (50–90 °F), pull the choke knob up to fully ON before pressing the starter button. At colder air temperatures, pull the choke knob up to the fully ON position before pressing the starter button. As the engine warms, push the knob down to the halfway position. After the engine is warm, push the choke knob down to fully OFF. To restart a warm engine, it is not necessary to use the choke.

### CAUTION:

- \* Extended use of the choke may impair piston and cylinder wall lubrication and shorten the life of the engine.
- \* Pushing the choke knob too hard to the OFF position may dislodge the choke cable boot. If this happens, water and dirt may enter the choke cable and cause corrosion. If the choke is hard to actuate, or feels like it is sticking, check the cable boot.

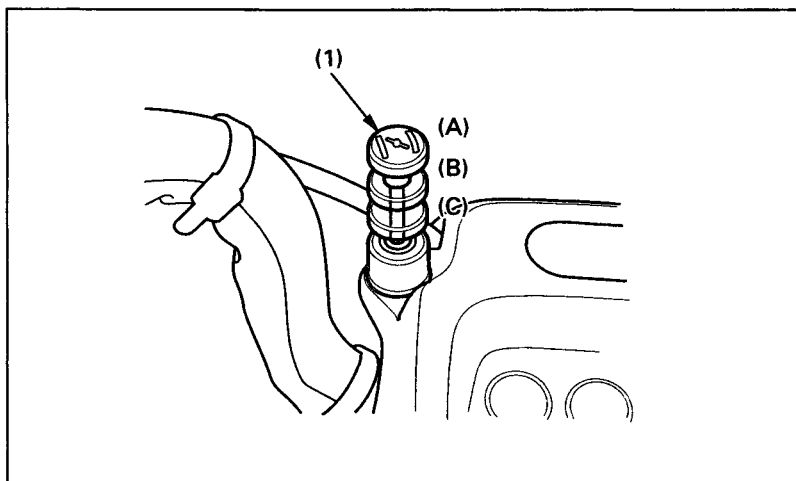


Fig. 2-6

(1) Choke knob

(A) Fully ON  
(B) Half way position  
(C) Fully OFF

### **Starter Button**

The starter button (Fig. 2-7) is below the engine stop switch. To start the engine, press the starter button (1), with the transmission in neutral, the ignition switch ON ( I ) and the engine stop switch (2) at RUN ( O ).

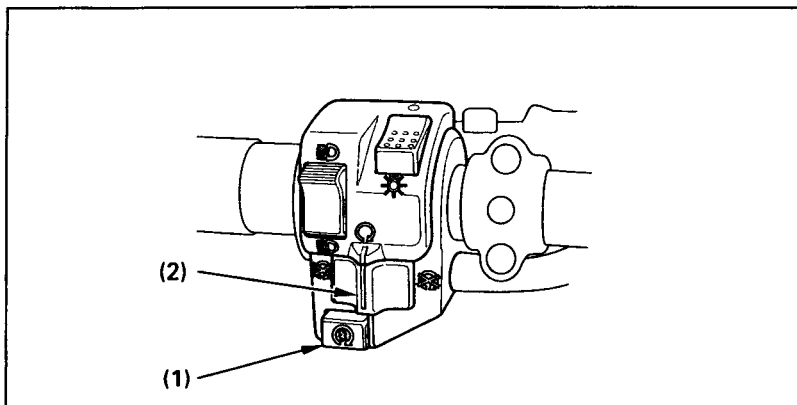


Fig. 2-7 (1) Starter button

(2) Engine stop switch

## Recoil Starter

The recoil starter (Fig. 2-8 ) is on the left side of the FOURTRAX. It is used to start the engine when the battery is low.

To operate the recoil starter:

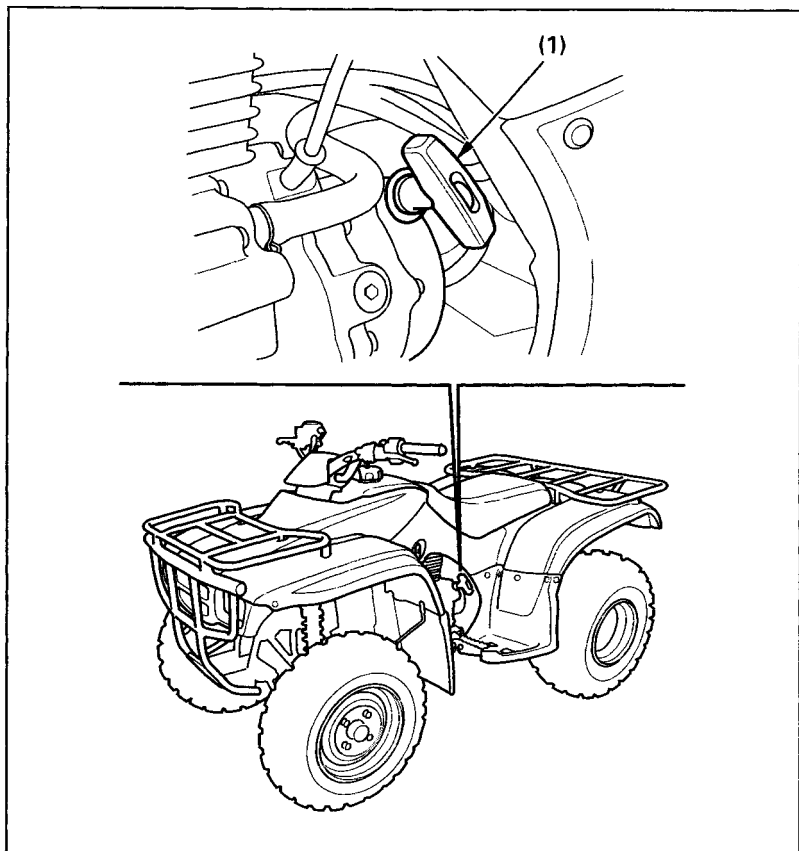


Fig. 2-8

(1) Recoil starter grip

1. Grasp the starter grip ( 1 ) firmly, then pull it out slowly approximately 4 in (100 mm).
2. Pull the grip up briskly and fully.
3. After the engine starts, allow the starter grip to return slowly.

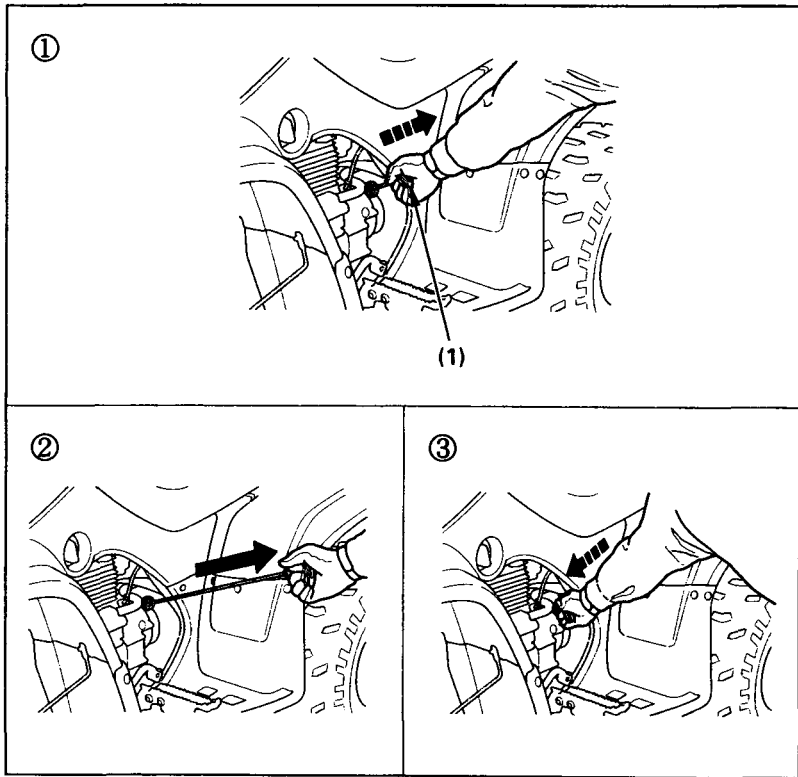


Fig. 2-9

(1) Recoil starter grip

Pull the recoil starter grip straight out so that the cord does not touch the side cover. Repeated contact with the side cover can damage the starter cord.

### Throttle Lever

The throttle lever (Fig. 2-10) is next to the right handgrip, and it is operated by the thumb. Pressing the lever opens the throttle. When pressure is released, spring tension automatically closes the throttle.

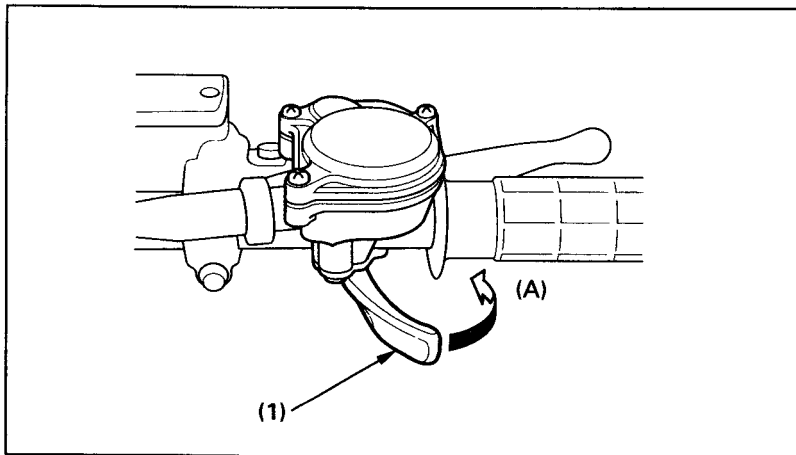





Fig. 2-10 (1) Throttle lever

(A) To open the throttle

## LIGHTS

### Headlight and Dimmer Switches

The headlight and dimmer switches (Fig. 2-11) are above the engine stop switch, next to the left handgrip.

Turning the headlight switch ( 1 ) ON (  ) turns the headlight on. Use the dimmer switch ( 2 ) to select either high beam HI (  ) or low beam LO (  ).

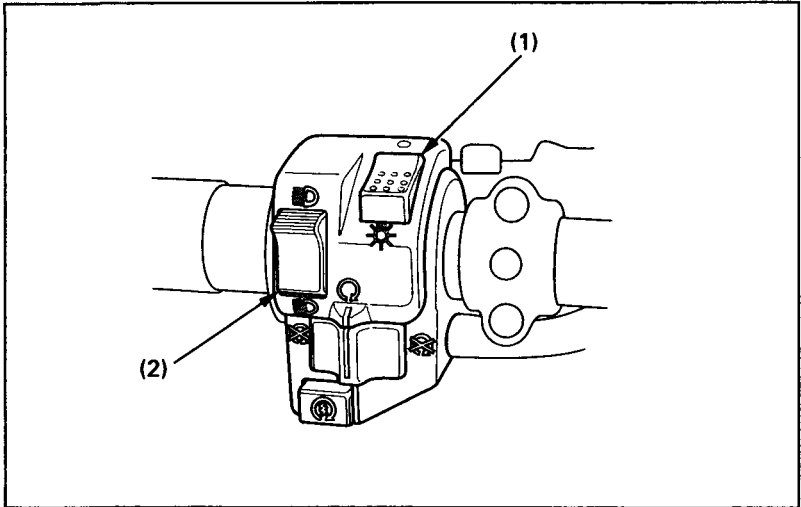


Fig. 2-11 (1) Headlight switch

(2) Dimmer switch



### Reverse and Neutral Indicator Lamps

The reverse indicator lamp (1) and the neutral indicator lamp (2) (Fig. 2-12) are next to the ignition switch.

The reverse indicator lamp will light when the transmission is in reverse and the ignition switch is ON ( I ). The neutral indicator lamp will light when the transmission is in neutral and the ignition switch is ON ( I ).

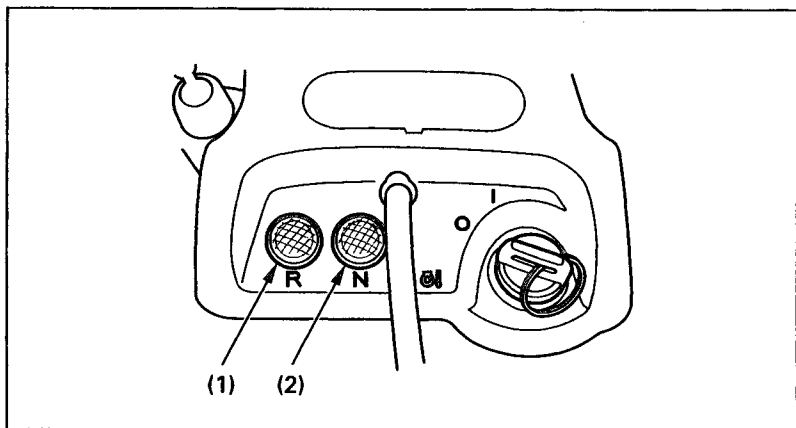


Fig. 2-12

(1) Reverse indicator lamp  
(2) Neutral indicator lamp

# GEARSHIFT CONTROLS

## Gearshift Pedal

The gearshift pedal is near the left footpeg. One full stroke of the pedal shifts the transmission to the next higher or lower gear in the shifting sequence (Fig. 2-13). The pedal automatically returns to the horizontal position when released.

Your FOURTRAX has five-forward gears (1, 2, 3, 4 and 5).

To upshift to a higher gear, put the toe of your boot under the gearshift pedal and raise the pedal one full stroke. To downshift, step on the gearshift pedal and depress the pedal one full stroke. (For further operational instructions, see page 59 .)

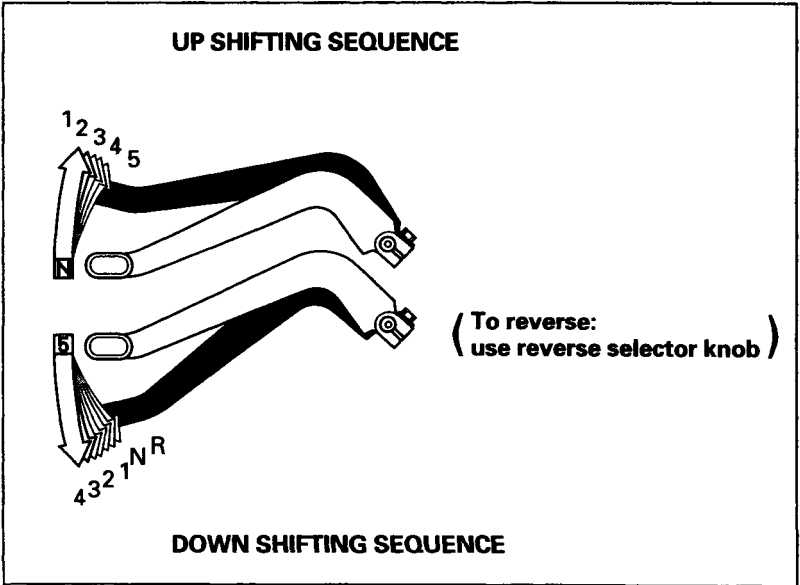


Fig. 2-13

Gearshifting sequence

### Reverse Selector Knob

The reverse selector knob (Fig. 2-14) (1) is on the rear brake lever.

To shift into reverse, first bring the FOURTRAX to a complete stop and make sure the transmission is in neutral. While pushing the reverse selector knob (1) in, squeeze the rear brake lever (2), then depress the gearshift pedal.

#### CAUTION:

**Bring the FOURTRAX to a complete stop before shifting the transmission into reverse. If the transmission is shifted into reverse while the vehicle is moving, the transmission will be damaged.**

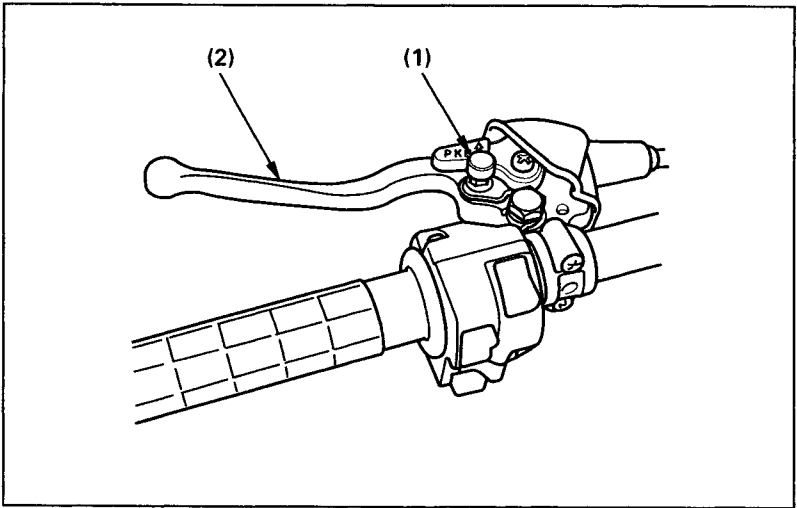


Fig. 2-14 (1) Reverse selector knob (2) Rear brake lever

## BRAKE CONTROLS

### Front Brakes

The front brakes are operated by squeezing the front brake lever, near the right handgrip.

### Rear Brake

The rear brake is operated either by depressing the brake pedal or by squeezing the rear brake lever (Fig. 2-15).

### Parking Brake

The rear brake lever has a lock which allows it to be used as a parking brake.

To set the parking brake, squeeze the rear brake lever ( 1 ) and lock it with the lock lever ( 2 ). Always set the parking brake when parking and before starting the engine.

To unlock the parking brake, squeeze the rear brake lever until the lock lever releases.

Using the parking brake in freezing weather may cause the brakes to freeze in the locked position.

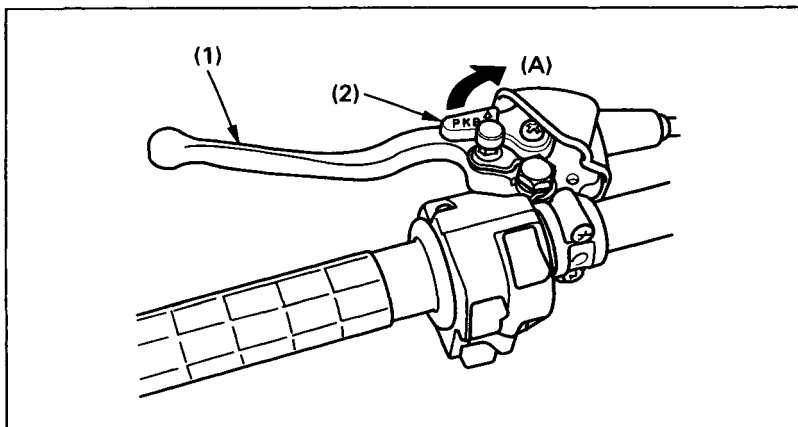


Fig. 2-15

(1) Rear brake lever/  
Parking brake lever

(2) Lock lever  
(A) To lock

## FUEL TANK

### Fuel Fill Cap

After refueling, be sure to tighten the fuel fill cap (Fig.2-16) until it clicks.

Insert the breather tube ( 2 ) into the handlebar cover hole ( 3 ).

To refuel refer to page 84 .

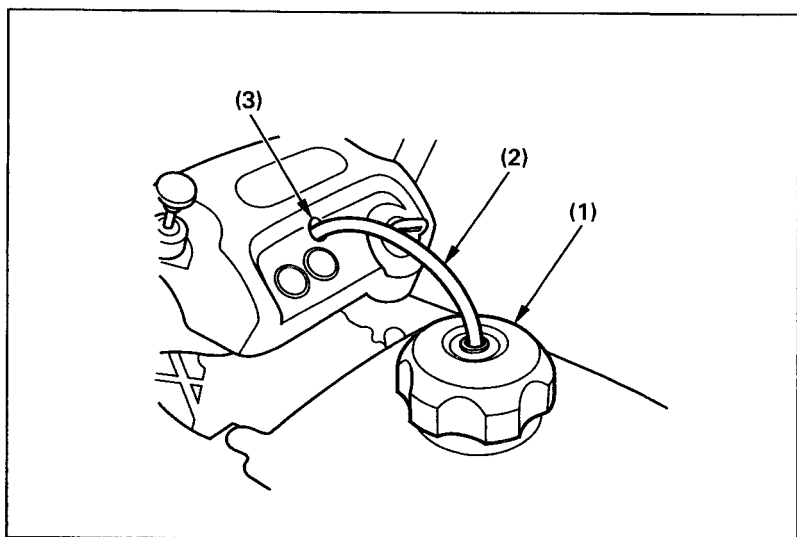


Fig. 2-16 (1) Fuel fill cap

(2) Breather tube  
(3) Handlebar cover hole

## Fuel Valve

The fuel valve (Fig. 2-17) is on the left side of the fuel tank, and it has three positions:

### OFF

When the fuel valve is in the OFF position, fuel cannot flow to the carburetor. Turn the valve OFF whenever the FOURTRAX is not in use.

### ON

When the fuel valve is in the ON position, fuel will flow from the main fuel supply to the carburetor.

### RES

When the fuel valve is in the RES position, fuel will flow from the reserve fuel supply to the carburetor. Use the reserve fuel only when the main supply is gone.

Refill the tank as soon as possible after switching to RES. The reserve fuel supply is:

0.63 US gal (2.4 l , 0.53 Imp gal)

### NOTE:

After refueling, do not operate the FOURTRAX with the fuel valve in the RES position. If you run out of fuel, there will be no reserve supply.

For gasoline recommendations and refueling instructions, see pages 84-87.

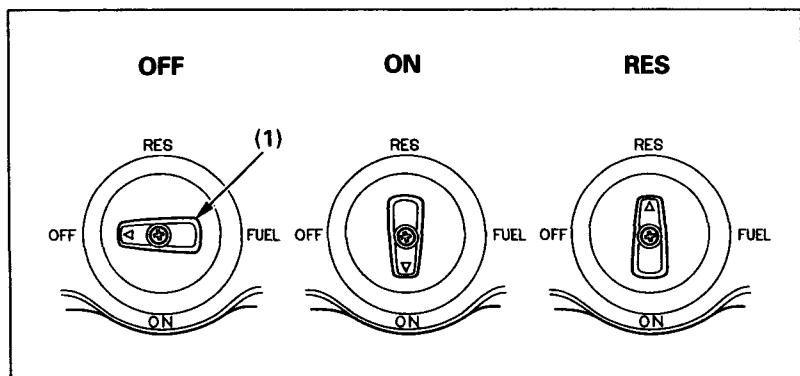


Fig. 2-17

(1) Fuel valve

## ENGINE OIL

### Oil Filler Cap/Dipstick

The oil filler cap/dipstick (Fig. 2-18), on the front crankcase cover, is used to measure the oil level. The oil should be checked each day before operating the FOURTRAX and maintained between the upper level mark (2) and the lower level mark (3).

For oil recommendations and instructions on checking, adding and changing oil, see pages 96–99 .

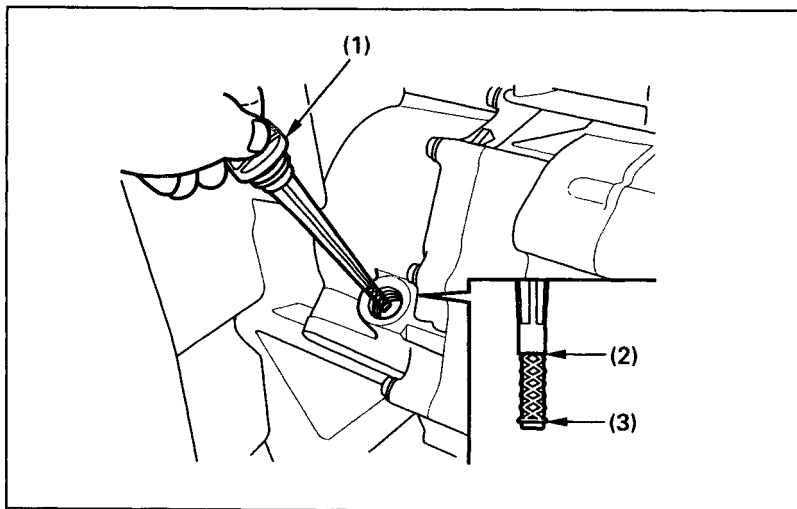


Fig. 2-18 (1) Oil filler cap/dipstick

(2) Upper level mark  
(3) Lower level mark

While reading this manual, remember:

#### **▲WARNING**

**Indicates a strong possibility that serious injury or death may result if instructions are not followed.**

## ADDITIONAL FEATURES

### Helmet Holder

The helmet holder (2) (Fig.2-19 ) is located on the right side of the handlebar ( 1 ). To use the holder, hang the D-ring on your helmet strap over the bracket. Use the helmet holder only when the FOURTRAX is parked.

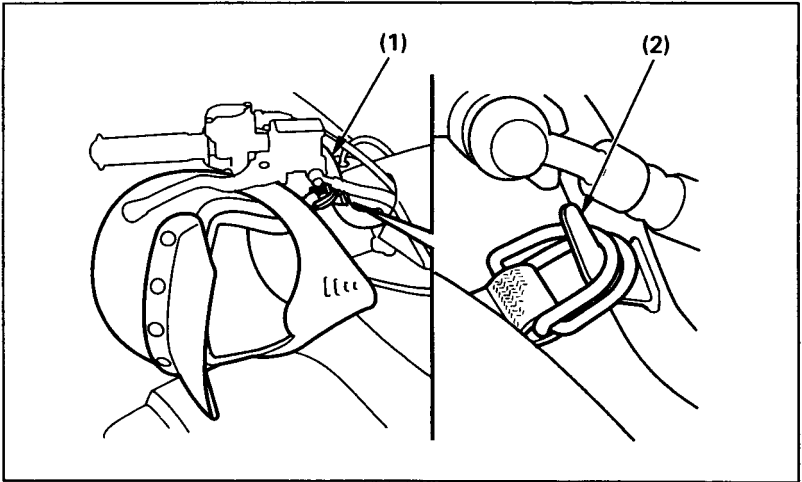


Fig. 2-19 (1) Handlebar

(2) Helmet holder

## **▲ WARNING**

### **POTENTIAL HAZARD**

**Operating this ATV with a helmet attached to the helmet holder.**

### **WHAT CAN HAPPEN**

**Can impair your ability to steer the vehicle.**

### **HOW TO AVOID THE HAZARD**

**Never ride this ATV with a helmet attached to the helmet holder.  
Use the helmet holder only while the ATV is parked.**



### Flag Pole Bracket

The flag pole bracket (Fig. 2-20) is on the rear cargo rack. Flag poles are optional equipment available from your Honda dealer. To mount a pole in the bracket, follow the instructions that come with the flag pole kit.

#### NOTE:

Flag poles are required in some riding areas. Check local regulations before riding.

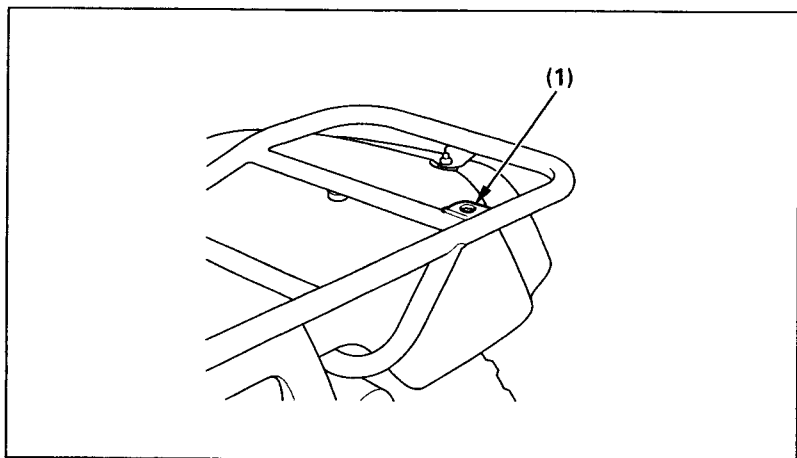


Fig. 2-20

(1) Flag pole bracket

### Storage Compartment

The storage compartment (Fig. 2-21) is below the rear cargo rack. To open the compartment, unhook the rubber strap (2). The tool kit (3) should be stored in the storage compartment.

Be careful not to flood this area when washing your FOURTRAX or riding through water.

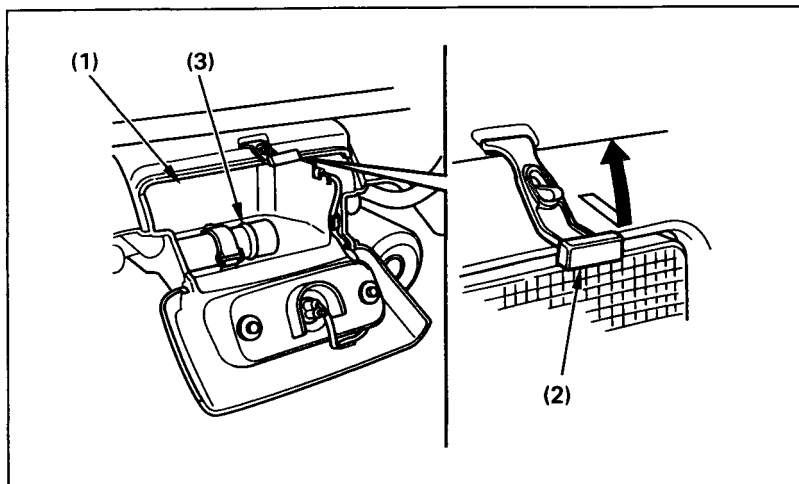


Fig. 2-21 (1) Storage compartment  
(2) Rubber strap

(3) Tool kit

### Owner's Manual Storage

The owner's manual storage area (Fig. 2-22) is located under the seat (1).

The owner's manual (2) and spare fuse (3) should be stored in the plastic document bag (4).

To remove the seat, see page 124 .

Be careful not to flood this area when washing your FOURTRAX or riding through water.

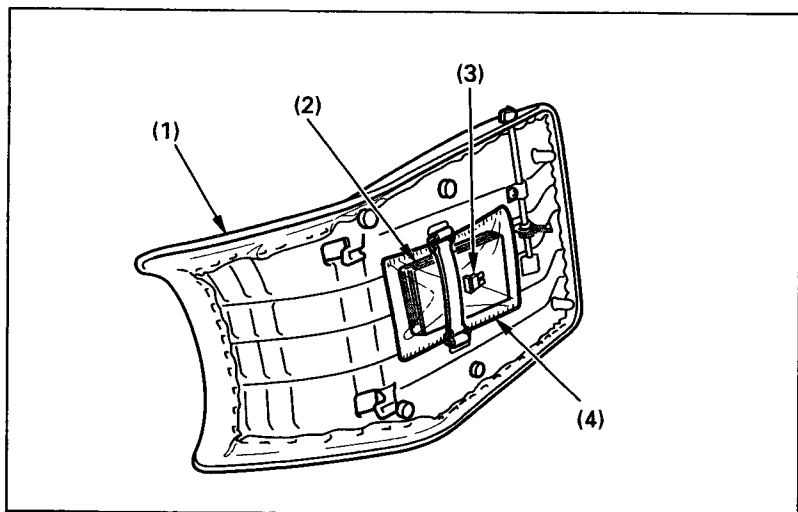


Fig. 2-22

(1) Seat

(2) Owner's manual

(3) Spare fuse

(4) Plastic document bag

## RIDING YOUR FOURTRAX

This part of the Owner's Manual discusses how to ride your FOURTRAX safely. Please review the special safety messages on pages 1–5 . While reading this manual, remember:

**⚠ WARNING** Indicates a strong possibility that serious injury or death may result if instructions are not followed.

### BEFORE RIDING

You need to be prepared before riding. This includes getting proper instruction, making sure your FOURTRAX is in good operating condition, and learning some basic safe-riding rules.

### RIDER PREPARATION

#### **Age Recommendation**

The minimum recommended age for this FOURTRAX model is 16. For safety, never let children under 16 years old operate this vehicle.

## **⚠ WARNING**

### **POTENTIAL HAZARD**

**Failure to follow the age recommendation for this ATV.**

### **WHAT CAN HAPPEN**

**If children use ATVs that are not recommended for their age, severe injury or death can result.**

**Even though a child may be within the age group for which an ATV is recommended, he or she may not have the skills, abilities, or judgment needed to operate the ATV safely and may be involved in a serious accident.**

### **HOW TO AVOID THE HAZARD**

**A child under 16 should never operate an ATV with engine size greater than 90 cc.**

## **Rider Training**

Beginning and inexperienced riders should get proper instruction on how to operate this FOURTRAX safely. A hands-on rider training course is available in your area. For information, contact your Honda dealer.

## **▲ WARNING**

### **POTENTIAL HAZARD**

**Operating this ATV without proper instruction.**

### **WHAT CAN HAPPEN**

**The risk of an accident is greatly increased if the operator does not know how to operate the ATV properly in different situations and on different types of terrain.**

### **HOW TO AVOID THE HAZARD**

**Beginning and inexperienced operators should complete the certified training course offered by Honda. They should then regularly practice the skills learned in the course and the operating techniques described in this Owner's Manual.**

**For more information about the training course, contact an authorized Honda dealer or call 1-800-887-2887 (USA only).**

## **VEHICLE PREPARATION**

### **Pre-Ride Inspection**

Inspect your FOURTRAX every day before you ride it. Checking the items below will take only a few minutes, and in the long run, they can save time, expense, and possibly your life.

- 1. Engine oil level.** Check the oil level and add oil if required (pages 96-99 ). Check for leaks.

2. **Fuel level.** Fill the fuel tank when necessary (pages 84–87 ). Check for leaks.
3. **Brakes.** Check operation. Make sure there is no brake fluid leakage. If necessary, adjust free play (pages 109–118).
4. **Tires.** Check condition and pressure (pages 120–122 ).
5. **Throttle.** Check for smooth opening and closing in all steering positions.
6. **Headlight and headlight dimmer switches.** Check for proper function (page 20 ).
7. **Engine stop switch.** Check for proper function (page 14 ).
8. **Nuts, bolts, fasteners.** Check the wheels to see that the axle nuts are tightened. Check the security of all other nuts, bolts and fasteners.
9. **Steering.** Check that the wheels turn properly as you steer the handlebars.
10. **Cargo.** Check that all cargo is properly secured.
11. **Underbody and exhaust system.** Check for, and remove, any dirt, vegetation or other debris that could be a fire hazard or interfere with the proper operation of the vehicle.
12. **Air cleaner housing drain tube.** Check for deposits in the drain tube. If necessary, clean the tube (page 92 ) and check the air cleaner case.

## **WARNING**

### **POTENTIAL HAZARD**

**Failure to inspect the ATV before operating.  
Failure to properly maintain the ATV.**

### **WHAT CAN HAPPEN**

**Increases the possibility of an accident.**

### **HOW TO AVOID THE HAZARD**

**Always inspect your ATV each time you use it to make sure the ATV is in safe operating condition.**

**Always follow the inspection and maintenance procedures and schedules described in this Owner's Manual.**

Correct any problem before you ride. If you can't correct a problem, contact your Honda dealer for assistance.

If your FOURTRAX has overturned or been involved in a collision, do not ride the vehicle until it has been inspected by an authorized Honda dealer. There may be damage or other problems you cannot see.

### **Tires**

Before riding, make sure your FOURTRAX has the proper tires and that they are in good condition. Also be sure the tires are inflated to the proper air pressure (see page 121).

## **▲ WARNING**

### **POTENTIAL HAZARD**

**Operating this ATV with improper tires, or with improper or uneven tire pressure.**

### **WHAT CAN HAPPEN**

**Use of improper tires on this ATV, or operation of this ATV with improper or uneven tire pressure, may cause loss of control, increasing your risk of an accident.**

### **HOW TO AVOID THE HAZARD**

**Always use the size and type tires specified in the Owner's Manual for this vehicle.**

**Always maintain proper tire pressure as described in this Owner's Manual.**



## Loading

### Cargo and Trailer Information

The FOURTRAX was designed to carry you and a specific amount of cargo.

The FOURTRAX can be used to tow a trailer and a specific amount of cargo with the installation of Honda Trailer Hitch.

The Hondaline Trailer Hitch Kit contains specific information regarding trailer towing with the FOURTRAX. Towing a trailer without reading this information is not recommended.

Cargo and/or the addition of a trailer will affect the acceleration, braking and handling of the FOURTRAX. Do not exceed the recommended limits listed below. Follow the guidelines (see page 38).

#### NOTE:

The following weight limits apply to standard equipment only. Modifying your FOURTRAX, using non-standard equipment or riding on terrain that is not flat and smooth could further reduce these limits.

**Maximum weight capacity**      **386 lbs (175 kg) maximum**  
(Combined weight of the rider, all accessories and all cargo)

**Front cargo rack weight limit**      = **33 lbs (15 kg) maximum**

**Rear cargo rack weight limit**      = **66 lbs (30 kg) maximum**

(Combined weight on the rack and in the storage area)

**Tow weight limit**      = **500 lbs {225kgf}**  
(Combined weight of the trailer and all cargo in the trailer)

**(2206N) maximum**

**Tongue weight**      = **30 lbs {14kgf}**  
(Weight on the trailer tongue)

**(137N) recommended**

**Tongue and rear cargo weight**      = **66 lbs (30 kg) maximum**

(Combined weight on the trailer tongue, on the rear cargo rack and in the storage area)

### **Loading and Operational Guidelines**

Carrying cargo or pulling a trailer will affect how your FOURTRAX handles and greatly reduce its ability in accelerating, braking and making turns and other maneuvers.

Be sure to observe the weight limits and follow these guidelines:

1. Do not place cargo anywhere on the FOURTRAX other than on the front and rear racks. Otherwise, operating stability may be adversely affected.
2. Never ride with a passenger on the front or rear cargo racks. The FOURTRAX is not designed to carry a passenger.
3. Do not tow anything (another vehicle, trailer, etc.) without an approved hitch.
4. Load cargo on the rear rack as far forward as possible. Make sure cargo on the front rack does not interfere with handlebar movement.
5. Do not allow cargo to extend beyond the edges of either the front or rear racks.
6. Make sure all cargo is secured before riding.
7. When towing a trailer, take care to maintain balance and stability. Distribute cargo between the front and rear of the trailer to obtain the recommended tongue weight.

#### **NOTE:**

Tongue weight can be measured with an ordinary bathroom scale. Place the scale under the tongue, using either a tongue jack or other support to keep the trailer level.

8. Allow extra room for starting, stopping and turning whenever you carry cargo or pull a trailer.
9. Avoid riding on steep slopes when carrying cargo or pulling a trailer.
10. Never cross a slope when towing a trailer.

## **⚠ WARNING**

### **POTENTIAL HAZARD**

**Overloading this ATV or carrying or towing cargo improperly.**

### **WHAT CAN HAPPEN**

**Could cause changes in vehicle handling, stability and braking which could lead to an accident.**

### **HOW TO AVOID THE HAZARD**

**Never exceed the stated load limits for this ATV.**

**Cargo should be properly distributed and securely attached.**

**Reduce speed when carrying cargo or pulling a trailer. Allow greater distance for braking.**

**Use extra care when operating on hills and riding over obstacles. Never cross a slope when pulling a trailer.**

**Always follow the instructions in this Owner's Manual for carrying cargo or pulling a trailer.**

## **Accessories**

Genuine Honda accessories have been specifically designed for and tested on this vehicle. Because Honda cannot test all other accessories, you are personally responsible for properly selecting, installing, and using non-Honda accessories. Always follow the loading instructions above, plus the following:

1. Carefully inspect the accessory to make sure it does not block any lights, reduce ground clearance, or limit suspension travel, steering travel, or other controls.
2. Make sure the accessory does not interfere with your ability to shift body position on the seat or operate hand and foot controls.
3. Do not add electrical equipment that will exceed the vehicle's electrical system capacity. A blown fuse could cause a loss of lights or engine power.

## **⚠ WARNING**

### **POTENTIAL HAZARD**

**Operating this ATV with improper modifications.**

### **WHAT CAN HAPPEN**

**Improper installation of accessories or modification of this vehicle may cause changes in handling which could lead to an accident.**

### **HOW TO AVOID THE HAZARD**

**Never modify this ATV through improper installation or use of accessories. All parts and accessories added to this vehicle should be genuine Honda or equivalent components designed for use on this ATV and should be installed and used according to instructions. If you have questions, consult an authorized Honda dealer.**

While reading this manual, remember:

### **⚠ WARNING**

**Indicates a strong possibility that serious injury or death may result if instructions are not followed.**

### **No Modifications**

Modifying this FOURTRAX or removing original equipment may render the vehicle unsafe or illegal. Spark arresters and mufflers are required in most areas. Don't modify your exhaust system or emission control system components. Remember, excessive noise bothers everyone and creates a bad image for off-road vehicles.

### **SAFE RIDING RULES**

#### **Protective Apparel**

Always wear an approved motorcycle helmet when riding your FOURTRAX. You should also always wear goggles or a face shield, gloves, boots, a long-sleeved shirt or jacket, and long pants.

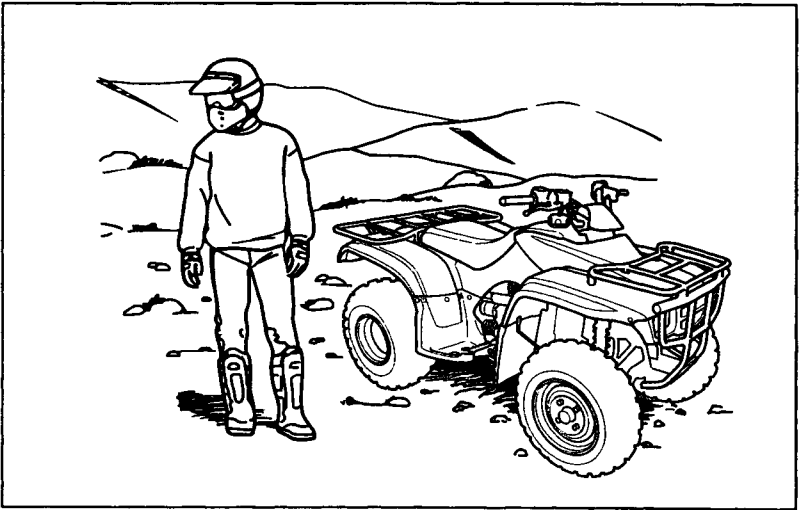


Fig. 3-1

An example of a properly dressed rider.

## **⚠ WARNING**

### **POTENTIAL HAZARD**

**Operating this ATV without wearing an approved motorcycle helmet, eye protection and protective clothing.**

### **WHAT CAN HAPPEN**

**Operating without an approved motorcycle helmet increases your chances of a severe head injury or death in the event of an accident.**

**Operating without eye protection can result in an accident and increases your chances of a severe injury in the event of an accident.**

**Operating without protective clothing increases your chances of severe injury in the event of an accident.**

### **HOW TO AVOID THE HAZARD**

**Always wear an approved motorcycle helmet that fits properly.**

**You should also wear: eye protection (goggles or face shield), gloves, boots, long-sleeved shirt or jacket and long pants.**

### **No Passengers**

This FOURTRAX is designed as an operator-only vehicle. The long seat is designed to allow the rider to change body position, not for carrying a passenger. Never let a passenger ride on the seat or on the front or rear cargo racks.

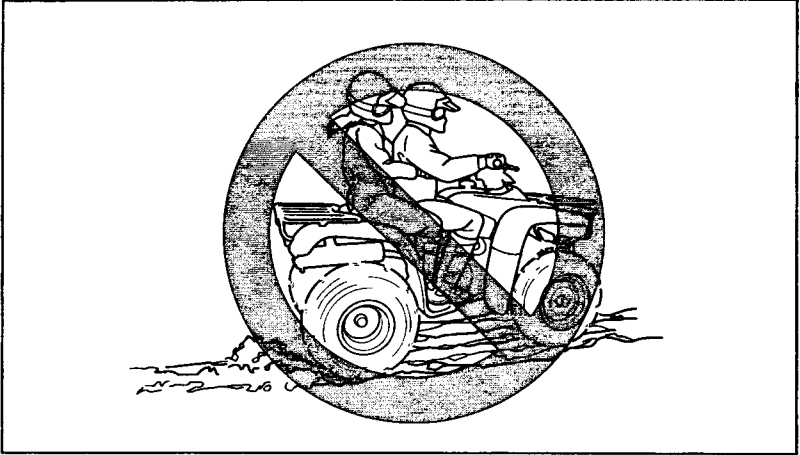


Fig. 3-2

Never carry a passenger on your FOURTRAX.

## **▲ WARNING**

### **POTENTIAL HAZARD**

**Carrying a passenger on this ATV.**

### **WHAT CAN HAPPEN**

**Greatly reduces your ability to balance and control this ATV.**

**Could cause an accident, resulting in harm to you and/or your passenger.**

### **HOW TO AVOID THE HAZARD**

**Never carry a passenger. The long seat is to allow the operator to shift position as needed during operation. It is not for carrying passengers.**



### **No Alcohol or Drugs**

Alcohol, drugs and FOURTRAX's don't mix. Even a small amount of alcohol can impair your ability to operate a FOURTRAX safely. Likewise, drugs—even if prescribed by a physician—can be dangerous while operating a FOURTRAX. Consult your doctor to be sure it is safe to operate a vehicle after taking medication.

## **▲ WARNING**

### **POTENTIAL HAZARD**

**Operating this ATV after consuming alcohol or drugs.**

### **WHAT CAN HAPPEN**

**Could seriously affect your judgment.**

**Could cause you to react more slowly.**

**Could affect your balance and perception.**

**Could result in an accident.**

### **HOW TO AVOID THE HAZARD**

**Never consume alcohol or drugs before or while driving this ATV.**

### **Off-Road Only**

Your FOURTRAX is designed and manufactured for off-road use only, not for pavement. Riding on pavement can affect handling and control. You should not ride your FOURTRAX on pavement.

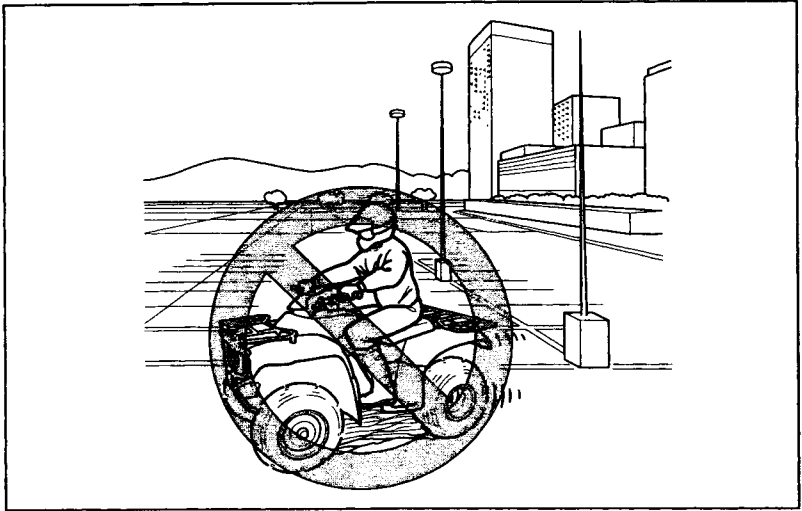


Fig. 3-3

Never ride on paved surfaces.

## **▲ WARNING**

### **POTENTIAL HAZARD**

**Operating this ATV on paved surfaces.**

### **WHAT CAN HAPPEN**

**The ATV and its tires are designed for off-road use only, not for use on pavement. Paved surfaces may seriously affect handling and control of the ATV, and may cause the vehicle to go out of control.**

### **HOW TO AVOID THE HAZARD**

**Never operate the ATV on any paved surfaces, including sidewalks, driveways, parking lots and streets.**

You should never ride your FOURTRAX on public streets, roads or highways, even if they are not paved. Drivers of street vehicles may have difficulty seeing and avoiding you, which could lead to a collision.

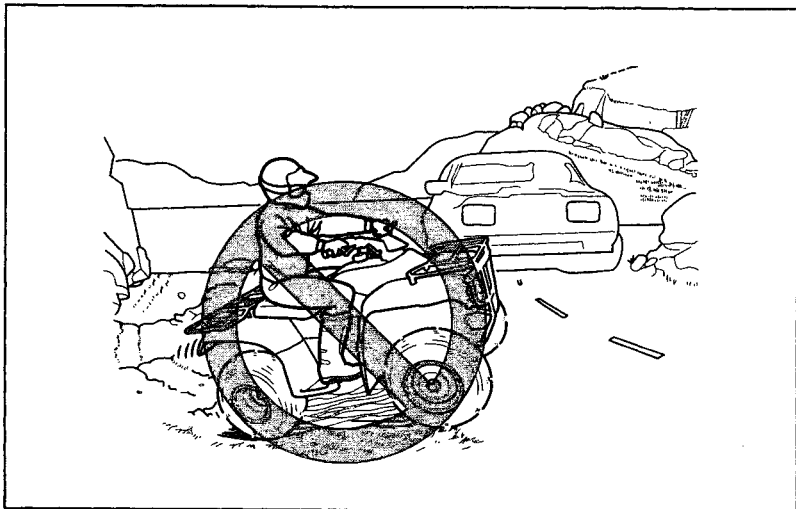


Fig. 3-4

Never ride on public roads or highways.

## **⚠ WARNING**

### **POTENTIAL HAZARD**

**Operating this ATV on public streets, roads or highways.**

### **WHAT CAN HAPPEN**

**You can collide with another vehicle.**

### **HOW TO AVOID THE HAZARD**

**Never operate this ATV on any public street, road or highway, even a dirt or gravel one.**

**In many states it is illegal to operate ATVs on public streets, roads and highways.**

## **FOR OFF-ROAD USE ONLY**

**This vehicle is designed and manufactured for off-road use only.**

**USA only:**

**It conforms to US EPA Noise Emission regulations, but does not conform to Federal Motor Vehicle Safety Standards or US EPA Exhaust Emission regulations, and operation on public streets, roads, or highways is illegal. The vehicle is equipped with a USDA qualified spark arrester. Obey local laws and regulations.**

**It conforms to California exhaust emission regulations for ATVs.**

**When riding off-road, also remember to always obey local off-road riding laws and regulations. Obtain permission to ride on private property. Avoid posted areas and obey "no trespassing" signs.**

## **Keep Hands and Feet on Controls**

Always keep both hands on the handlebars and both feet on the footpegs when riding your FOURTRAX. This is important to maintain your balance and to control the vehicle. If you put your feet on the ground while the FOURTRAX is moving, they could come in contact with the rear wheels, causing injury.

### **▲ WARNING**

#### **POTENTIAL HAZARD**

**Removing hands from handlebars or feet from footpegs during operation.**

#### **WHAT CAN HAPPEN**

**Removing even one hand or foot can reduce your ability to control the ATV or could cause you to lose your balance and fall off of the ATV. If you remove a foot from the footpeg, your foot or leg may come into contact with the rear wheels, which could injure you or cause an accident.**

#### **HOW TO AVOID THE HAZARD**

**Always keep both hands on the handlebars and both feet on the footpegs of your ATV during operation.**