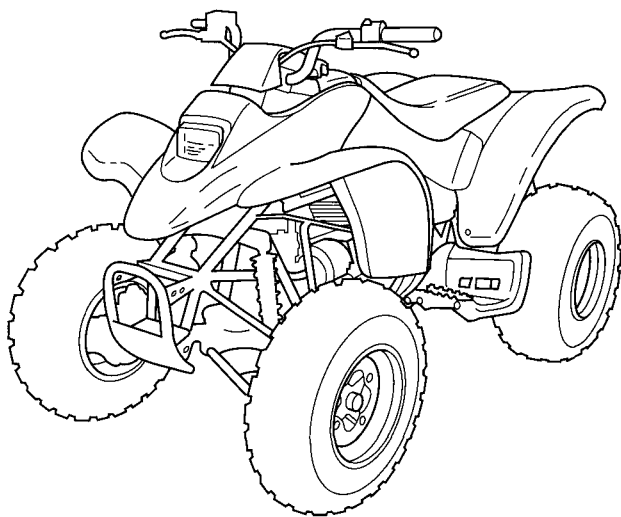


**2003  
Honda TRX 250EX  
Sportrax 250EX  
OWNER'S MANUAL**



# Introduction

---

Congratulations on choosing your Honda ATV.

When you own a Honda, you're part of a worldwide family of satisfied customers — people who appreciate Honda's reputation for building quality into every product.

Your Honda was designed as a recreational ATV for off-road use by one rider only.

Before riding, take time to get acquainted with your ATV and how it works. To protect your investment, we urge you to take responsibility for keeping your ATV well maintained. Scheduled service is a must, of course. But it's just as important to observe the break-in guidelines, and perform all pre-ride and other periodic checks detailed in this manual.

We also recommend that you read this owner's manual before you ride. It's full of facts, instructions, safety information, and helpful tips. To make it easy to use, the manual contains a detailed list of topics at the beginning of each section, and both an in-depth table of contents and an index at the back of the book.

As you read this manual, you will find information that is preceded by a **NOTICE** symbol. This information is intended to help you avoid damage to your Honda, other property, or the environment.

Read the Warranties Booklet (page 185 ) thoroughly so you understand the coverages that protect your new Honda and are aware of your rights and responsibilities.

Whenever you ride, tread lightly. By staying on established trails and riding only in approved areas, you help protect the environment and keep off-road riding areas open for the future.

# Introduction

---

If you have any questions, or if you ever need special service or repairs, remember that your Honda dealer knows your ATV best and is dedicated to your complete satisfaction.

Please report any change of address or ownership to your Honda dealer so we will be able to contact you concerning important production information.

You may also want to visit our website at [www.honda.com](http://www.honda.com).

Happy riding!

## California Proposition 65 Warning

**WARNING:** This product contains or emits chemicals known to the State of California to cause cancer and birth defects or other reproductive harm.

# A Few Words About Safety

---


Your safety, and the safety of others, is very important. And operating this ATV safely is an important responsibility.

To help you make informed decisions about safety, we have provided operating procedures and other information on labels and in this manual. This information alerts you to potential hazards that could hurt you or others.

Of course, it is not practical or possible to warn you about all hazards associated with operating or maintaining an ATV. You must use your own good judgment.

You will find important safety information in a variety of forms, including:

**Safety Labels** — on the ATV.

**Safety Messages** — preceded by a safety alert symbol  and one of three signal words: **DANGER**, **WARNING**, or **CAUTION**.

# A Few Words About Safety

---

These signal words mean:

**▲ DANGER**

You **WILL** be **KILLED** or **SERIOUSLY HURT** if you don't follow instructions.

**▲ WARNING**

You **CAN** be **KILLED** or **SERIOUSLY HURT** if you don't follow instructions.

**▲ CAUTION**

You **CAN** be **HURT** if you don't follow instructions.

**Safety Headings** — such as Important Safety Reminders or Important Safety Precautions.

**Safety Section** — such as ATV Safety.

**Instructions** — how to use this ATV correctly and safely.

This entire manual is filled with important safety information — please read it carefully.

# Contents

---

These pages give an overview of the contents of your owner's manual. The first page of each section lists the topics covered in that section.

<b>ATV Safety .....</b>	<b>1</b>
Important safety information you should know, plus a look at the safety-related labels on your ATV.	
<b>Indicators &amp; Controls .....</b>	<b>9</b>
The location and function of indicators and controls on your ATV and operating instructions for various controls and features.	
<b>Before Riding.....</b>	<b>25</b>
The importance of wearing a helmet and other protective gear, how to make sure you and your ATV are ready to ride, and important information about loading.	
<b>Basic Operation &amp; Riding .....</b>	<b>39</b>
How to start and stop the engine, shift gears, and brake. Also, riding precautions.	

# Contents

---

<b>Servicing Your Honda</b> .....	71
Why your ATV needs regular maintenance, what you need to know before servicing your Honda, an owner maintenance schedule, and instructions for specific maintenance and adjustment items.	
<b>Tips</b> .....	143
How to store and transport your ATV and how to be an environmentally-responsible rider.	
<b>Taking Care of the Unexpected</b> .....	153
What to do if you have a flat tire, your engine won't start, etc.	
<b>Technical Information</b> .....	167
ID numbers, technical specifications, and other technical facts.	
<b>Consumer Information</b> .....	181
Information on warranties, emission controls, how to get Honda service manuals.	
<b>Table of Contents</b> .....	190
Sequential listing of topics in this owner's manual.	
<b>Index</b> .....	196
<b>Quick Reference</b>	
Handy facts about fuel, engine oil, tire sizes, and air pressures.	



# ATV Safety

---

This section presents some of the most important information and recommendations to help you ride your ATV safely. Please take a few moments to read these pages. This section also includes information about the location of safety labels on your ATV.

Important Safety Information .....	2
Safety Labels.....	5

# **Important Safety Information**

---

Your ATV can provide many years of service and pleasure — if you take responsibility for your own safety and understand the challenges you can meet while riding.

There is much that you can do to protect yourself when you ride. You'll find many helpful recommendations throughout this manual. The following are a few that we consider most important.

## **Follow the Age Recommendation**

The minimum recommended age for this ATV model is 16. Children under age 16 should never operate this vehicle.

## **Always Wear a Helmet**

It's a proven fact: helmets significantly reduce the number and severity of head injuries. So always wear an approved motorcycle helmet. We also recommend that you wear eye protection, sturdy boots, gloves, and other protective gear (page 26 ).

## **Never Carry a Passenger**

Your ATV is designed for one person only. There are no handholds, footrests, or seat for a second person — so never carry a passenger. A passenger could interfere with your ability to move around to maintain your balance and control of the ATV.

# Important Safety Information

---

## **Ride Off-Road Only**

Your ATV is designed and manufactured for off-road use only. The tires are not made for pavement, and the ATV does not have turn signals and other features required for use on public roads. If you need to cross a paved or public road, get off and walk your ATV across.

## **Take Time to Learn & Practice**

Even if you have ridden other ATVs, take time to become familiar with how this ATV works and handles. Practice in a safe area until you build your skills and get accustomed to the ATV's size and weight.

Because many accidents involve inexperienced or untrained riders, we urge all riders to take a training course approved by the ATV Safety Institute (ASI). See page 28.

Contact an authorized ATV dealer or call 1-800-887-2887 (USA only) to find out about the training courses nearest you.

## **Be Alert for Off-Road Hazards**

The terrain can present a variety of challenges when you ride off-road. Continually “read” the terrain for unexpected turns, drop-offs, rocks, ruts, and other hazards. Always keep your speed low enough to allow time to see and react to hazards.

# Important Safety Information

---

## **Ride within Your Limits**

Pushing limits is another major cause of ATV accidents. Never ride beyond your personal abilities or faster than conditions warrant. Remember that alcohol, drugs, fatigue, and inattention can significantly reduce your ability to make good judgments and ride safely.

## **Don't Drink and Ride**

Alcohol and riding don't mix. Even one drink can reduce your ability to respond to changing conditions, and your reaction time gets worse with every additional drink. So don't drink and ride, and don't let your friends drink and ride either.

## **Keep Your Honda in Safe Condition**

It's important to keep your ATV properly maintained and in safe riding condition. Having a breakdown can be difficult, especially if you are stranded off-road far from your base. To help avoid problems, inspect your ATV before every ride and perform all recommended maintenance.

# Safety Labels

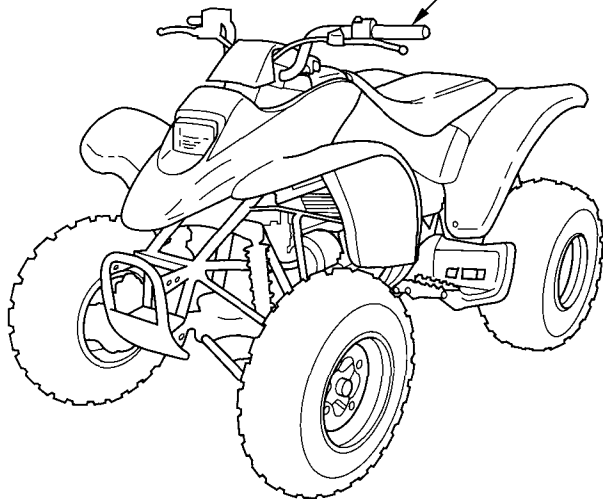
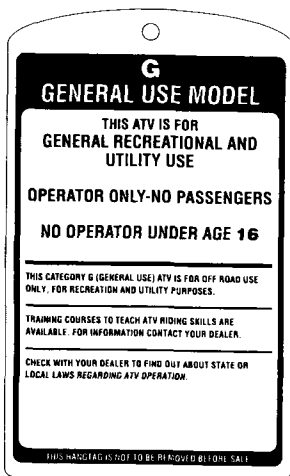
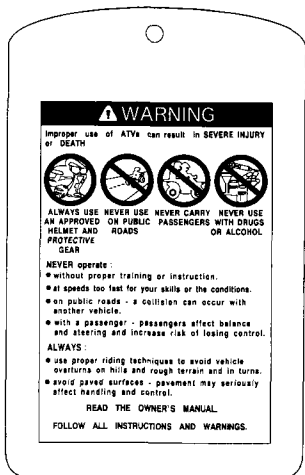
---

Your ATV comes with a hang tag and several labels containing important safety information. Anyone who rides the vehicle should read and understand this information before riding.

The labels should be considered permanent parts of the vehicle. If a label comes off or becomes hard to read, contact your Honda dealer for replacements.

# Safety Labels

USA only



# Safety Labels

## WARNING

Improper tire pressure or overloading can cause loss of control.

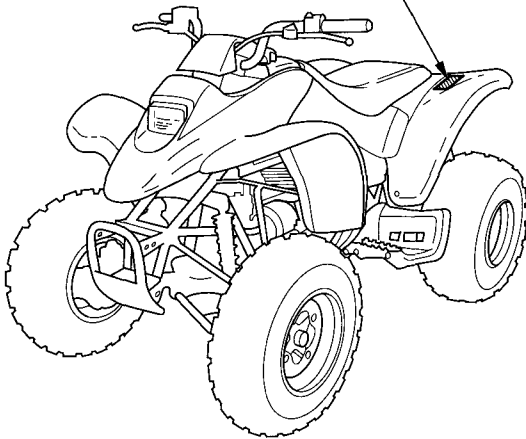
Loss of control can result in severe injury or death.

Cold tire pressure :

Front :  $30 \pm 4 \text{ kPa}$   $0.30 \pm 0.04 \text{ kgf/cm}^2$   $4.4 \pm 0.6 \text{ psi}$ .

Rear :  $20 \pm 3 \text{ kPa}$   $0.20 \pm 0.03 \text{ kgf/cm}^2$   $2.9 \pm 0.4 \text{ psi}$ .


Maximum weight capacity ; 110kg (243lbs.)



# Safety Labels

**WARNING**

Improper use of ATVs can result in SEVERE INJURY or DEATH.



ALWAYS USE AN APPROVED HELMET AND PROTECTIVE GEAR. NEVER USE ON PUBLIC ROADS. NEVER CARRY PASSENGERS. NEVER USE WITH DRUGS OR ALCOHOL.

**NEVER operate:**


- without proper training or instruction.
- at speeds too fast for your skills or the conditions.
- on public roads - a collision can occur with another vehicle.
- with a passenger - passengers affect balance and steering and increase risk of losing control.

**ALWAYS:**

- use proper riding techniques to avoid vehicle overturns on hills and rough terrain and in turns.
- avoid paved surfaces - pavement may seriously affect handling and control.

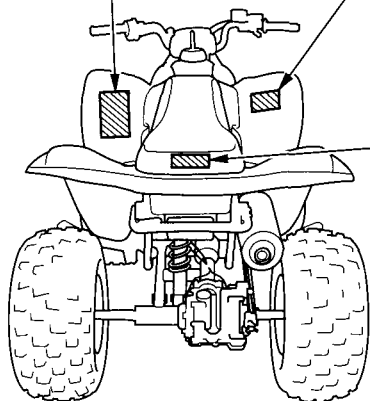
READ THE OWNER'S MANUAL.  
FOLLOW ALL INSTRUCTIONS AND WARNINGS.

**WARNING**



Operating this ATV if you are under the age of 16 increases your chance of severe injury or death.

NEVER operate this ATV if you are under age 16.



**WARNING**



NEVER ride as a passenger. Passengers can cause a loss of control, resulting in SEVERE INJURY or DEATH.

# Indicators & Controls

---

This section shows the location of all indicators and controls you would normally use before or while riding your ATV.

The items listed on this page are described in this section. Instructions for other components are presented in other sections of this manual where they will be most useful.

Component Locations .....	11
Indicators.....	14
Reverse and Neutral Indicators Lamps .....	14

(cont'd)

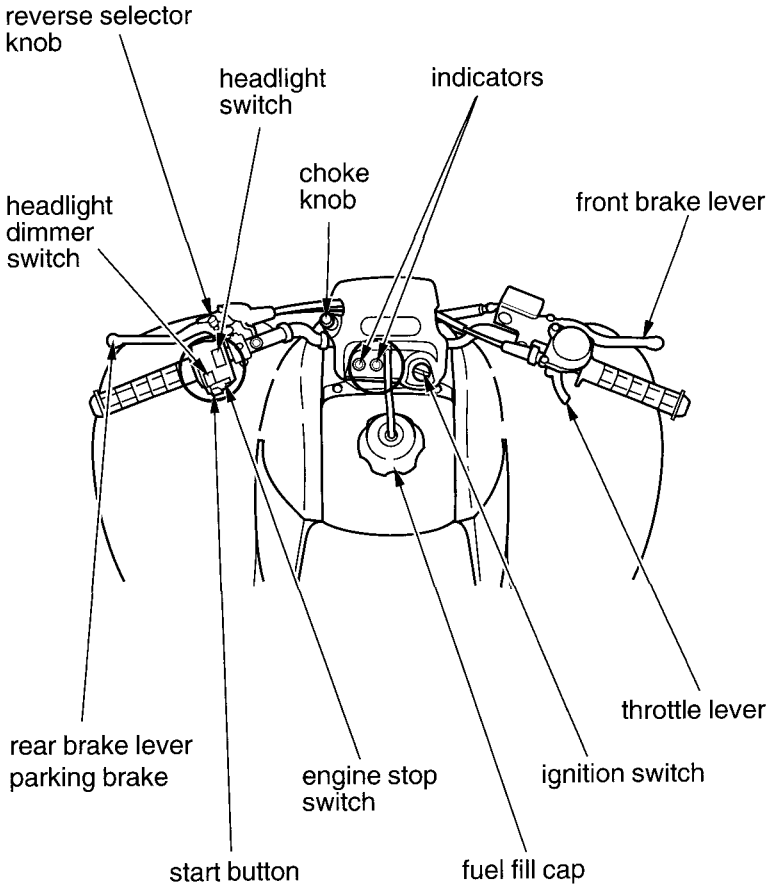
# Indicators & Controls

---

Control and Features .....	15
Fuel Valve .....	15
Choke Knob .....	16
Ignition Switch .....	17
Start Button .....	18
Engine Stop Switch .....	18
Headlight Switch .....	19
Headlight Dimmer Switch .....	19
Throttle Lever .....	20
Reverse Selector Knob .....	21
Front Brake Lever .....	22
Rear Brake Lever .....	22
Rear Brake Pedal .....	22
Parking Brake .....	22
Flag Pole Bracket .....	23

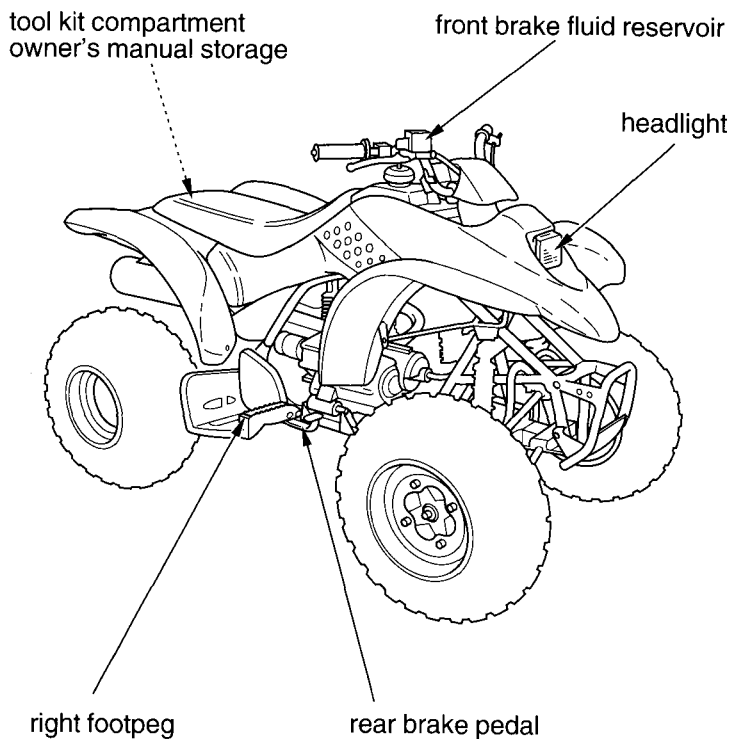
# Component Locations

---



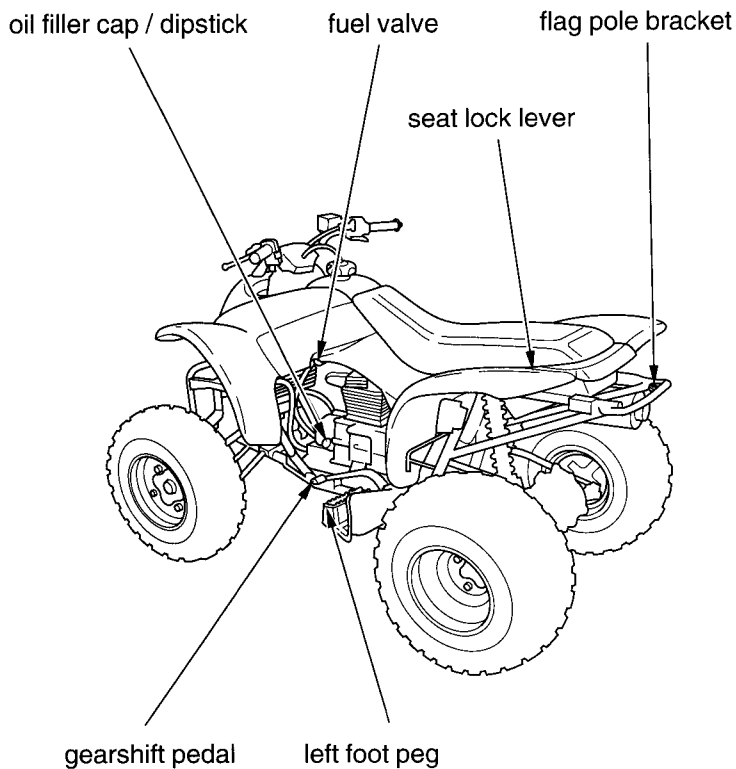
# Component Locations

---



# Component Locations

---



# Indicators

---

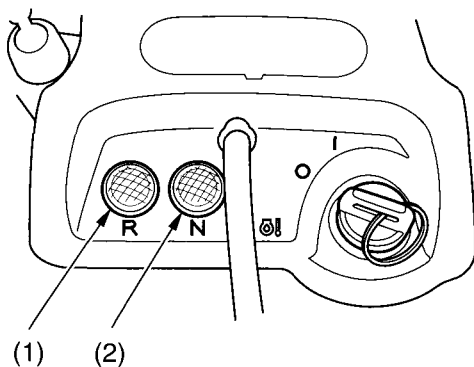
## Reverse and Neutral Indicator Lamps

The reverse indicator lamp (1) and the neutral indicator lamp (2) are next to the ignition switch.

The reverse indicator lamp will light when the transmission is in reverse and the ignition switch is ON ( I ).

The neutral indicator lamp will light when the transmission is in neutral and the ignition switch is ON ( I ).

If one of these indicators does not come on when it should, have your Honda dealer check for burned-out bulbs or other problems.

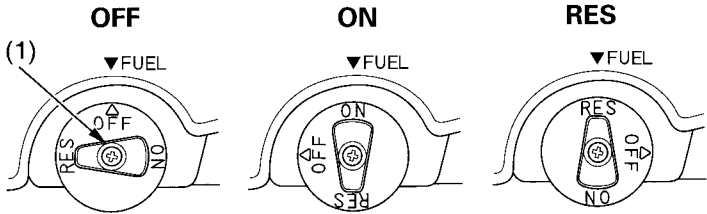


- (1) reverse indicator lamp
- (2) neutral indicator lamp

# Controls & Features

## Fuel Valve

### LEFT SIDE



(1) fuel valve

The manual fuel valve is located on the left side of the fuel tank.

The three-way fuel valve is used to control the flow of fuel from the fuel tank to the carburetor.

ON—normal position for riding.

OFF— for parking, storing, or transportation.

RES— for extra fuel to get to a gas supply for refueling.

### Reserve Fuel

Remember to check that the fuel valve is in the ON position each time you refuel. If the valve is left in the RES position, you may run out of fuel with no reserve.

For complete information about fueling your ATV, see page 87 .

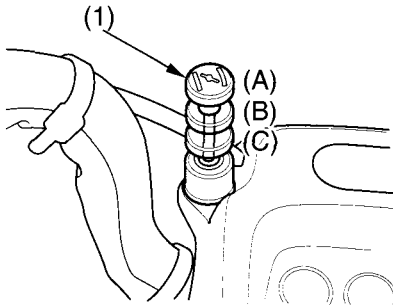
# Controls & Features

---

## Choke Knob



### LEFT HANDLEBAR



(1) choke knob

(A) fully ON  
(B) fully OFF  
(C) fully OFF

The choke knob may be used when starting the engine. See page 47 .

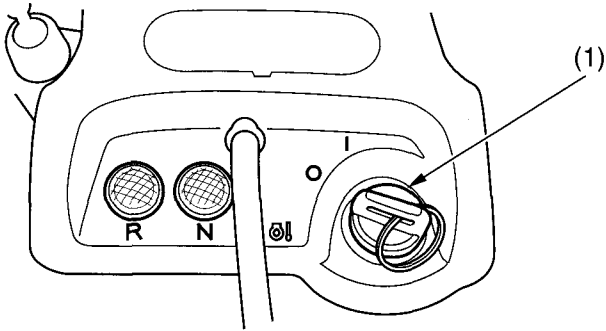
# Controls & Features

## Ignition Switch

The ignition switch is used for starting and stopping the engine (page 46). Insert the key and turn it to the right for the ON position.

Key Position	Function
ON ( I )	Electrical circuits on.
OFF ( O )	No electrical circuits function.

CENTER OF HANDLEBAR



(1) ignition switch

I ON  
O OFF