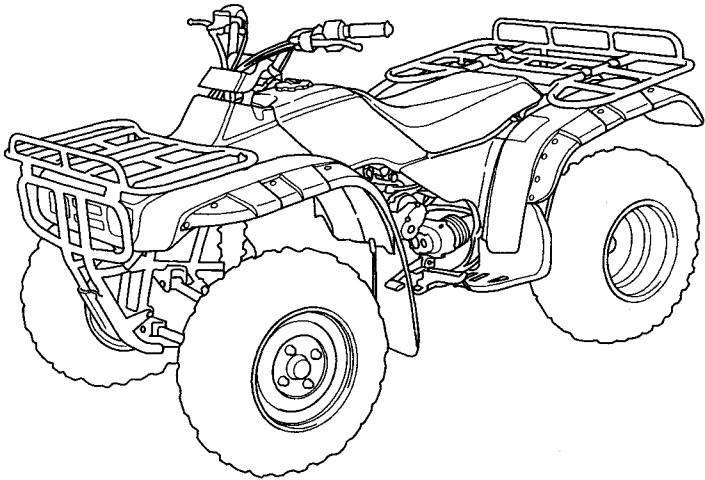


**1996  
TRX 300**

**HONDA FOURTRAX 300  
OWNER'S MANUAL**



**FOR OFF-ROAD USE ONLY**

This vehicle is designed and manufactured for off-road use only. It conforms to US EPA Noise Emission regulations, but does not conform to Federal Motor Vehicle Safety Standards or US EPA Exhaust Emission regulations, and operation on public streets, roads, or highways is illegal. The vehicle is equipped with a USDA qualified spark arrester. Obey local laws and regulations.

## PREFACE

Thank you for buying a Honda FOURTRAX. Honda takes pride in a worldwide reputation for quality—in research, design, production and service. Quality is the hallmark of all Honda products and one reason why Honda is the leading manufacturer of ATVs.

To get the best service from your FOURTRAX, we recommend that during the first few days you operate your vehicle so the engine does not labor or approach maximum rpm in any gear. Avoid full throttle operation, and shift gears frequently to vary engine speed. Careful break-in procedures will extend the service life of your engine.

For replacement parts and accessories, we recommend genuine Honda products. They've been specially designed for your vehicle and manufactured to meet Honda's demanding standards.

This manual contains a Maintenance Schedule and information on basic maintenance procedures. If you have the required skills and tools, your Honda dealer can supply you with an Official Honda Service Manual to help you perform more advanced maintenance and repairs. When you need service, remember that your Honda dealer knows your vehicle best and is interested in your complete satisfaction.

We wish you many years of safe and enjoyable riding.

While reading this manual, remember:

### **▲WARNING**

**Indicates a strong possibility that serious injury or death may result if instructions are not followed.**

All information in this publication is based on the latest product information available at the time of approval for printing. Honda Motor Co., Ltd. reserves the right to make changes at any time without notice and without incurring any obligation.

© Honda Motor Co., Ltd. 1995. No part of this publication may be reproduced without written permission from Honda Motor Co., Ltd.

## CONTENTS

	Page
FOURTRAX SAFETY .....	1
Special Safety Messages .....	1
Warning Information.....	6
PARTS LOCATION AND OPERATION.....	10
Parts Location.....	10
Parts Operation.....	13
Power Controls .....	13
Lights .....	20
Gearshift Controls.....	23
Brake Controls.....	25
Fuel Tank.....	26
Engine Oil.....	28
Additional Features .....	29
RIDING YOUR FOURTRAX .....	34
Before Riding.....	34
Rider Preparation.....	34
Vehicle Preparation .....	36
Safe Riding Rules.....	44
Riding.....	56
Starting the Engine .....	57
Shifting Gears .....	61
Riding in Reverse.....	62
Making Turns .....	64
Riding Up Hills .....	67
Riding Down Hills .....	74
Crossing Slopes.....	76
Making Turns on Slopes.....	77
Riding Over Obstacles.....	78
Riding Through Water .....	79
Parking.....	80

(cont'd)

## CONTENTS

	Page
<b>MAINTENANCE AND REPAIRS</b> .....	81
Maintenance Schedule .....	81
Maintenance Precautions .....	82
Tool Kit.....	84
Fuel System .....	86
Lubrication.....	100
Engine .....	106
Clutch .....	108
Electrical System .....	110
Brakes .....	115
Wheels and Tires.....	125
Seat Removal .....	130
Skid Plates .....	131
Spark Arrester .....	132
<b>TRANSPORTING YOUR FOURTRAX</b> .....	134
<b>CLEANING YOUR FOURTRAX</b> .....	137
<b>STORING YOUR FOURTRAX</b> .....	139
<b>SPECIFICATIONS</b> .....	142
<b>WIRING DIAGRAM</b> .....	143
<b>CONSUMER INFORMATION</b> .....	145
<b>WARRANTY SERVICE</b> .....	146
<b>SERIAL NUMBERS</b> .....	147
<b>INDEX</b> .....	148
<b>SERVICE MANUAL</b> .....	154

## **FOURTRAX SAFETY**

### **SPECIAL SAFETY MESSAGES**

#### **AN ATV IS NOT A TOY AND CAN BE HAZARDOUS TO OPERATE.**

An ATV handles differently from other vehicles including motorcycles and cars. A collision or rollover can occur quickly, even during routine maneuvers such as turning and driving on hills or over obstacles, if you fail to take proper precautions.

**SEVERE INJURY OR DEATH** can result if you do not follow these instructions:

- \* Read this manual and all labels carefully and follow the operating procedures described.
- \* Never operate an ATV without proper instruction.  
Take a training course. Beginners should receive training from a certified instructor. Contact an authorized ATV dealer or call 1-800-447-4700 to find out about the training courses nearest you.
- \* Always follow this age recommendation: A child under 16 years old should never operate an ATV with engine size greater than 90 cc.
- \* Never allow a child under age 16 to operate an ATV without adult supervision, and never allow continued use of an ATV by a child if he or she does not have the abilities to operate it safely.

- \* Never carry a passenger on an ATV.
- \* Never operate an ATV on any paved surfaces, including sidewalks, driveways, parking lots and streets.
- \* Never operate an ATV on any public street, road or highway, even a dirt or gravel one.
- \* Never operate an ATV without wearing an approved motorcycle helmet that fits properly. You should also wear eye protection (goggles or face shield), gloves, boots, long-sleeved shirt or jacket, and long pants.
- \* Never consume alcohol or drugs before or while operating this ATV.
- \* Never operate at excessive speeds. Always go at a speed that is proper for the terrain, visibility, and operating conditions, and your experience.
- \* Never attempt wheelies, jumps, or other stunts.
- \* Always inspect your ATV each time you use it to make sure it is in safe operating condition. Always follow the inspection and maintenance procedures and schedules described in this manual.
- \* Always keep both hands on the handlebars and both feet on the footpegs of the ATV during operation.

- Always go slowly and be extra careful when operating on unfamiliar terrain. Always be alert to changing terrain conditions when operating the ATV.
- Never operate on excessively rough, slippery or loose terrain until you have learned and practiced the skills necessary to control the ATV on such terrain. Always be especially cautious on these kinds of terrain.
- Always follow proper procedures for turning as described in this manual. Practice turning at low speeds before attempting to turn at faster speeds. Do not turn at excessive speed.
- Never operate the ATV on hills too steep for the ATV or for your abilities. Practice on smaller hills before attempting larger hills.
- Always follow proper procedures for climbing hills as described in this manual. Check the terrain carefully before you start up any hill. Never climb hills with excessively slippery or loose surfaces. Shift your weight forward. Never open the throttle suddenly or make sudden gear changes. Never go over the top of any hill at high speed.
- Always follow proper procedures for going down hills and for braking on hills as described in this manual. Check the terrain carefully before you start down any hill. Shift your weight backward. Never go down a hill at high speed. Avoid going down a hill at an angle that would cause the vehicle to lean sharply to one side. Go straight down the hill where possible.

- Always follow proper procedures for crossing the side of a hill as described in this manual. Avoid hills with excessively slippery or loose surfaces. Shift your weight to the uphill side of the ATV. Never attempt to turn the ATV around on any hill until you have mastered the turning technique described in this manual on level ground. Avoid crossing the side of a steep hill if possible.
- Always use proper procedures if you stall or roll backwards when climbing a hill. To avoid stalling, use the proper gear and maintain a steady speed when climbing a hill. If you stall or roll backwards, follow the special procedure for braking described in this manual. Dismount and follow the procedures provided in this manual.
- Always check for obstacles before operating in a new area. Never attempt to operate over large obstacles, such as large rocks or fallen trees. Always follow proper procedures when operating over obstacles as described in this manual.
- Always be careful when skidding or sliding. Learn to safely control skidding or sliding by practicing at low speeds and on level, smooth terrain. On extremely slippery surfaces, such as ice, go slowly and be very cautious in order to reduce the chance of skidding out of control.

- \* Never operate an ATV in fast flowing water or in water deeper than that specified in this manual. Remember that wet brakes may have reduced stopping ability. Test your brakes after leaving water. If necessary, apply them several times to let friction dry out the linings.
- \* Always be sure there are no obstacles or people behind you when you operate in reverse. When it is safe to proceed in reverse, go slowly.
- \* Always use the size and type tires specified in this manual. Always maintain proper tire pressure as described in this manual.
- \* Never modify an ATV through improper installation or use of accessories.
- \* Never exceed the stated load limits for an ATV. Cargo should be properly distributed and securely attached. Reduce speed and follow instructions in this manual for carrying cargo or pulling trailer. Allow greater distance for braking.

**FOR MORE INFORMATION ABOUT ATV SAFETY**, call the Consumer Product Safety Commission at 1-800-638-2772, or the ATV Distributors' Safety Hotline at 1-800-852-5344.

## **WARNING INFORMATION**

Your FOURTRAX comes with hang tag and several labels containing important safety information. Anyone who rides the vehicle should read and understand this information before riding.

The labels should be considered as permanent parts of the vehicle. If a label comes off or becomes hard to read, contact your Honda dealer for replacements.

**⚠ WARNING**

**THIS VEHICLE CAN BE HAZARDOUS TO OPERATE.** A collision or rollover can occur quickly, even during routine maneuvers such as turning and driving on hills or over obstacles, if you fail to take proper precautions.

**SEVERE INJURY OR DEATH** can result if you do not follow these instructions:

- **BEFORE YOU OPERATE THIS ATV, READ THE OWNER'S MANUAL AND ALL LABELS.**
- **NEVER OPERATE THIS ATV WITHOUT PROPER INSTRUCTION.** Beginners should complete a certified training course.
- **NEVER CARRY A PASSENGER.** You increase your risk of losing control if you carry a passenger.
- **NEVER OPERATE THIS ATV ON PAVED SURFACES.** You increase your risk of losing control if you operate this ATV on pavement.
- **NEVER OPERATE THIS ATV ON PUBLIC ROADS.** You can collide with another vehicle if you operate this ATV on a public road.
- **ALWAYS WEAR AN APPROVED MOTORCYCLE HELMET,** eye protection, and protective clothing.
- **NEVER CONSUME ALCOHOL OR DRUGS** before or while operating this ATV.
- **NEVER OPERATE THIS ATV AT EXCESSIVE SPEEDS.** You increase your risk of losing control if you operate this ATV at speeds too fast for the terrain, visibility conditions, or your experience.
- **NEVER ATTEMPT WHEELIES, JUMPS, OR OTHER STUNTS.**

**U  
UTILITY MODEL**

**THIS ATV IS FOR  
UTILITY USE**

**OPERATOR ONLY-NO PASSENGERS**

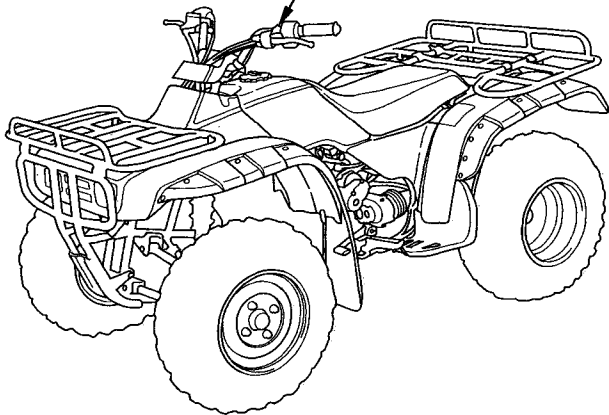
**NO OPERATOR UNDER AGE 16**

**THIS CATEGORY U (UTILITY) ATV IS FOR OFF ROAD USE ONLY. IT IS MAINLY FOR UTILITY USE BUT IT MAY ALSO BE USED FOR GENERAL RECREATION.**

**TRAINING COURSES TO TEACH ATV RIDING SKILLS ARE AVAILABLE. FOR INFORMATION CONTACT YOUR DEALER.**

**CHECK WITH YOUR DEALER TO FIND OUT ABOUT STATE OR LOCAL LAWS REGARDING ATV OPERATION**

**THIS HANGTAG IS NOT TO BE REMOVED BEFORE SALE**

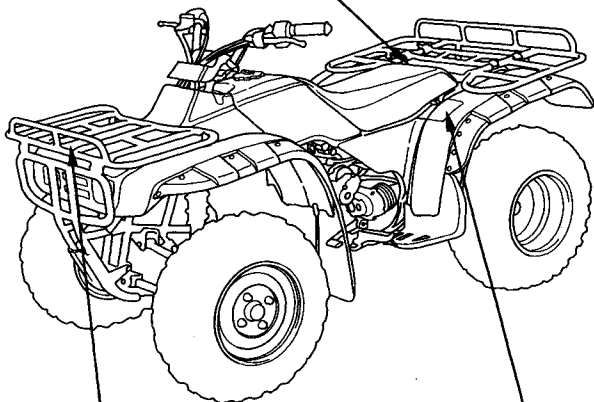


**▲ WARNING**

Riding as a passenger can cause the ATV to go out of control.

Loss of control can cause a collision or rollover, which can result in severe injury or death.

**NEVER** ride as a passenger.



**▲ WARNING**

Overloading this ATV or carrying cargo improperly can change handling, stability and braking performance and can lead to an accident.

Never exceed the maximum front cargo limit of: **66lbs (30kg)**.

Refer to instructions in the Owner's Manual.

**▲ WARNING**

Improper tire pressure or overloading can cause loss of control. Loss of control can result in severe injury or death.

- Cold tire pressure :  
Front : 2.9±0.4psi 0.20±0.03kg/cm<sup>2</sup>  
Rear : 2.9±0.4psi 0.20±0.03kg/cm<sup>2</sup>
- Maximum weight capacity : 480lbs. (210kg)

**▲ WARNING**

**UNDER 16**

Operating this ATV if you are under the age of 16 increases your chance of severe injury or death.

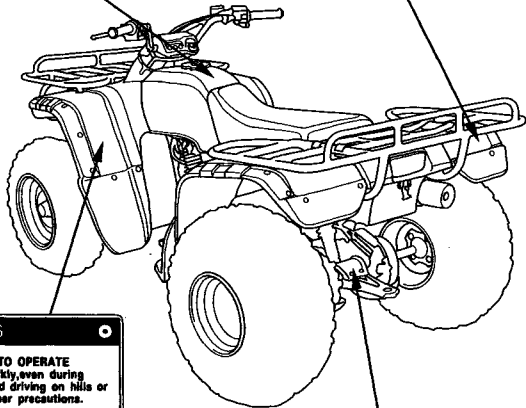
**NEVER** operate this ATV if you are under age 16.

**▲ WARNING**

Overloading this ATV or carrying cargo improperly can change handling, stability and braking performance and can lead to an accident.

Never exceed the maximum rear cargo limit (combined weight on the rear rack and in the storage area) of: **133lbs (60kg)**.

Refer to instructions in the Owner's Manual.



**▲ WARNING**

**THIS VEHICLE CAN BE HAZARDOUS TO OPERATE**  
A collision or rollover can occur quickly, even during routine maneuvers such as turning and driving on hills or over obstacles, if you fail to take proper precautions.

**SEVERE INJURY OR DEATH** can result if you do not follow these instructions:

- **BEFORE YOU OPERATE THIS ATV, READ THE OWNER'S MANUAL AND ALL LABELS.**
- **NEVER OPERATE THIS ATV WITHOUT PROPER INSTRUCTION.** Beginners should complete a certified training course.
- **NEVER CARRY A PASSENGER.** You increase your risk of losing control if you carry a passenger.
- **NEVER OPERATE THIS ATV ON PAVED SURFACES.** You increase your risk of losing control if you operate this ATV on pavement.
- **NEVER OPERATE THIS ATV ON PUBLIC ROADS.** You can collide with another vehicle if you operate this ATV on public road.
- **ALWAYS WEAR AN APPROVED MOTORCYCLE HELMET, eye protection, and protective clothing.**
- **NEVER CONSUME ALCOHOL OR DRUGS** before or while operating this ATV.
- **NEVER OPERATE THIS ATV AT EXCESSIVE SPEEDS.** You increase your risk of losing control if you operate this ATV at speeds too fast for the terrain, visibility conditions, or your experience.
- **NEVER ATTEMPT WHEELIES, JUMPS, OR OTHER STUNTS.**

**▲ WARNING**

Towing an improperly loaded trailer can cause loss of control.

- Read owner's manual.
- Tow weight limit: **850lbs (385kg)**
- Tongue weight: **30lbs (14kg)**

## PARTS LOCATION AND OPERATION

### PARTS LOCATION

- (1) Rear brake lever  
Parking brake
- (2) Reverse selector knob
- (3) Headlight switch  
Engine stop switch  
Headlight dimmer switch  
Starter button  
Choke lever
- (4) Reverse indicator lamp  
Neutral indicator lamp  
Oil high temperature indicator lamp
- (5) Ignition switch
- (6) Throttle lever
- (7) Front brake lever

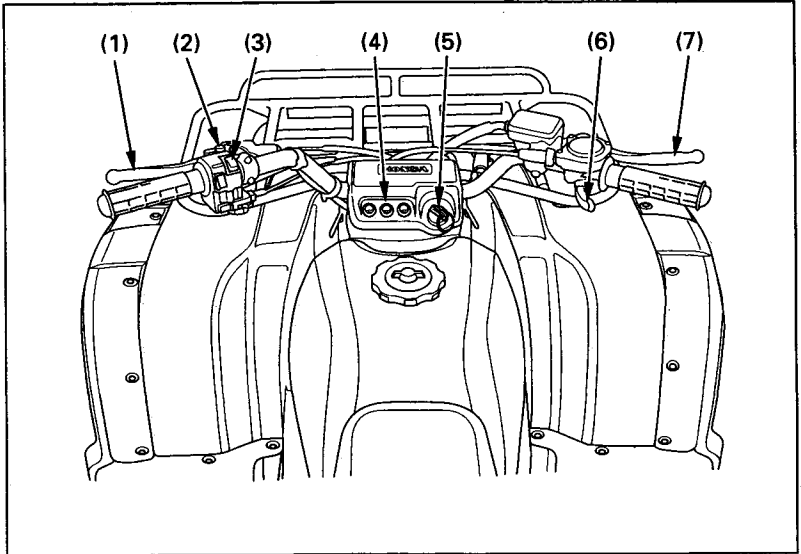


Fig. 2-1

Handlebars, from rider's point of view

- (8) Flag pole bracket
- (9) Rear cargo rack
- (10) Fuel tank cap
- (11) 12V DC receptacle and special plug
- (12) Front cargo rack
- (13) Kick starter (behind the right side cover)
- (14) Oil filler cap/dipstick
- (15) Operator footpeg
- (16) Rear brake pedal
- (17) Headlights

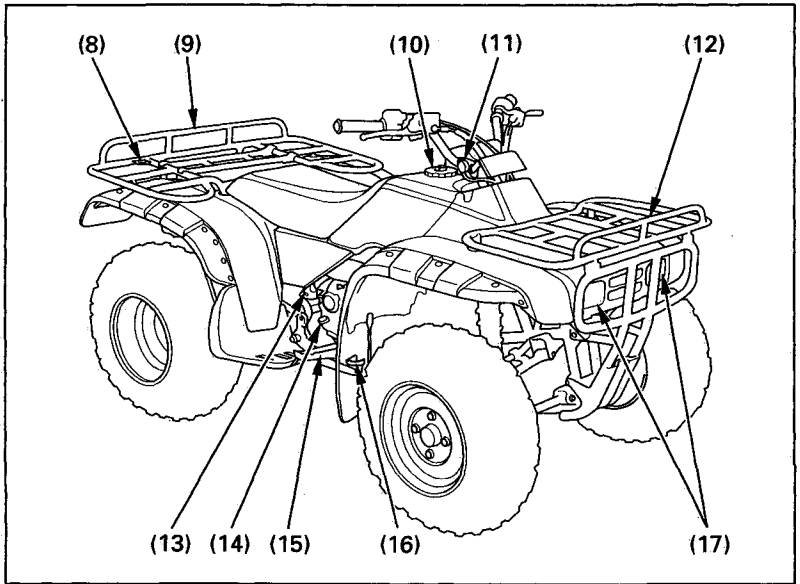


Fig. 2-2

Right side of FOURTRAX

- (18) Helmet holder
- (19) Storage compartment, containing:
  - Tool kit
  - Air pressure gauge
  - Owner's Manual
- (20) Gearshift pedal
- (21) Fuel valve
- (22) Operator footpeg
- (23) Starting primer knob
- (24) Trailer hitch

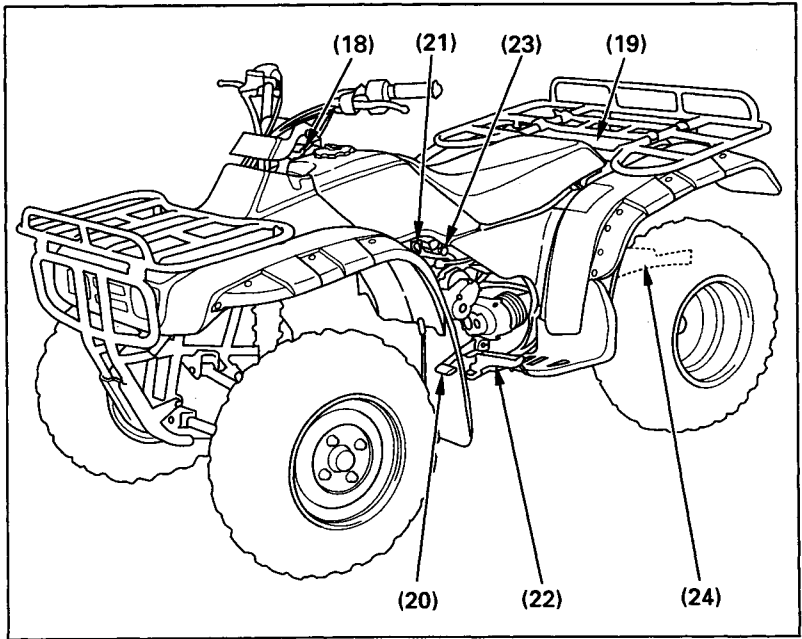


Fig. 2-3

Left side of FOURTRAX

## PARTS OPERATION

### POWER CONTROLS

#### Ignition Switch

The ignition switch (Fig. 2-4) is in the center of the handlebars directly in front of the seat.

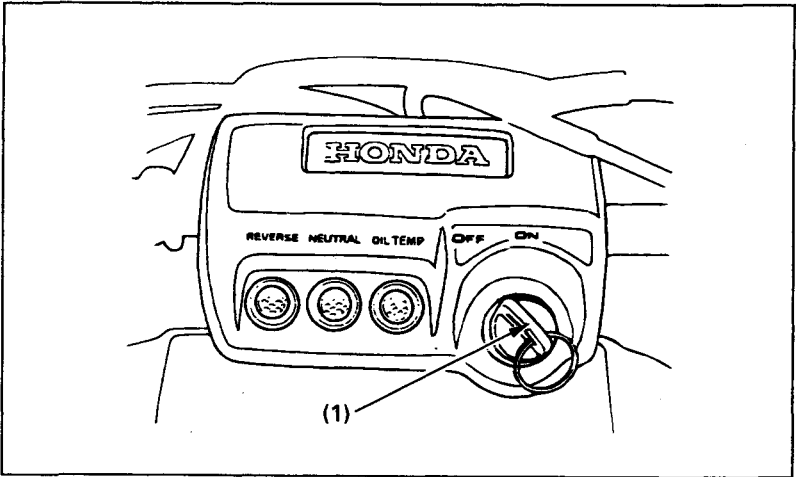


Fig. 2-4

(1) Ignition switch

Key Position	Function	Key Removal
OFF	The engine and headlight cannot be operated.	The key can be removed.
ON	The headlights can be turned on. With the engine stop switch at RUN and the transmission in neutral, the engine can be started.	The key cannot be removed.

## Engine Stop Switch

The engine stop switch (Fig. 2-5 ) is next to the left handgrip, and it has three positions. When the switch is in the RUN position, the engine will operate. When the switch is in either OFF position, the engine will not operate.

This switch is intended primarily as a safety or emergency control, and it should normally remain in the RUN position.

### NOTE:

If you stop your FOURTRAX by turning the engine stop switch OFF, be sure to turn the ignition switch OFF to prevent battery discharge.

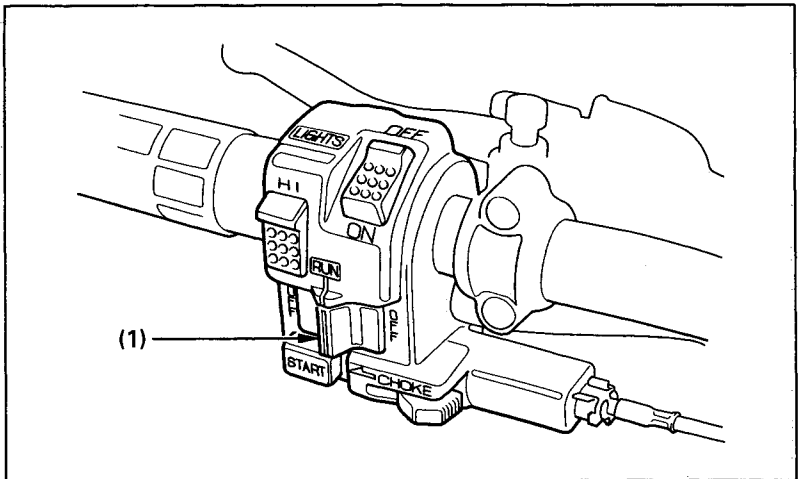


Fig. 2-5

(1) Engine stop switch

### Choke Lever

The choke lever (Fig. 2-6) is next to the starter button. The choke has three positions: fully ON (A), halfway position (B), and fully OFF (C).

To start a cold engine when air temperature is 10–35°C (50–90°F), move the choke lever left to the half way position before pressing the starter button. At colder air temperatures, set the choke to fully ON position before pressing the starter button. As the engine warms, move the lever to the halfway position. After the engine is warm, move the choke right to the fully OFF.

### CAUTION:

**Extended use of the choke may impair piston and cylinder wall lubrication and shorten the life of the engine.**

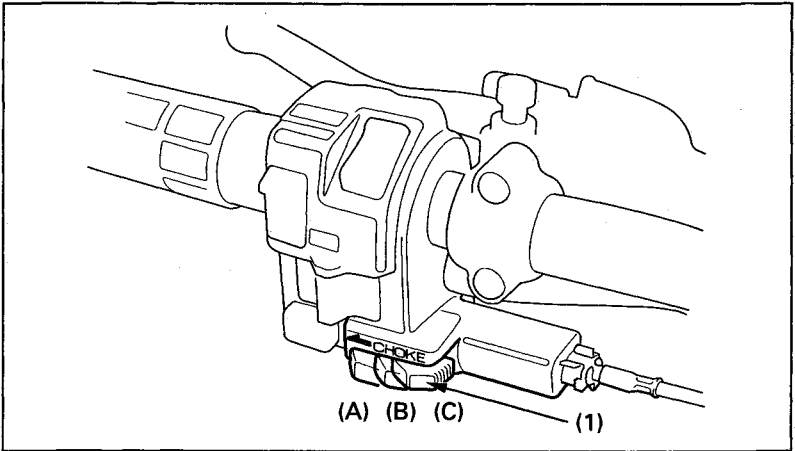


Fig. 2-6 (1) Choke lever

- (A) Fully ON
- (B) Halfway position
- (C) Fully OFF

### Starter Button

The starter button (Fig. 2-7) is below the engine stop switch. To start the engine, press the starter button (1), with the transmission in neutral, the ignition switch ON and the engine stop switch at RUN.

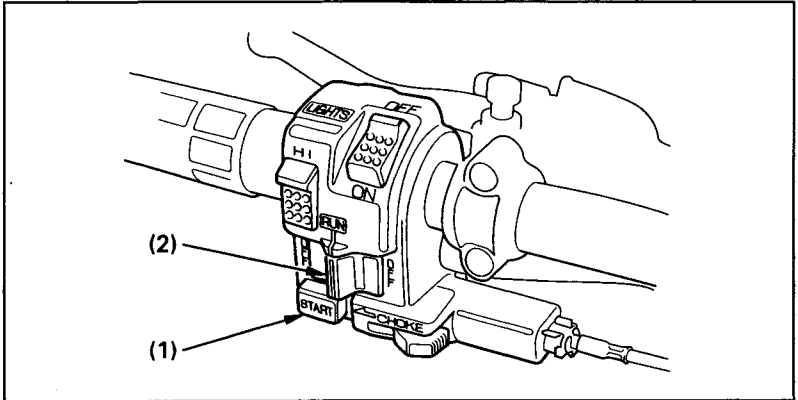


Fig. 2-7 (1) Starter button (2) Engine stop switch

### Starting Primer Knob

The starting primer knob (Fig. 2-8) is on the carburetor float bowl on the left side of the FOURTRAX. To start the engine when air temperature is below  $-15^{\circ}\text{C}$  ( $5^{\circ}\text{F}$ ), push the knob in once or twice before pressing the starter button.

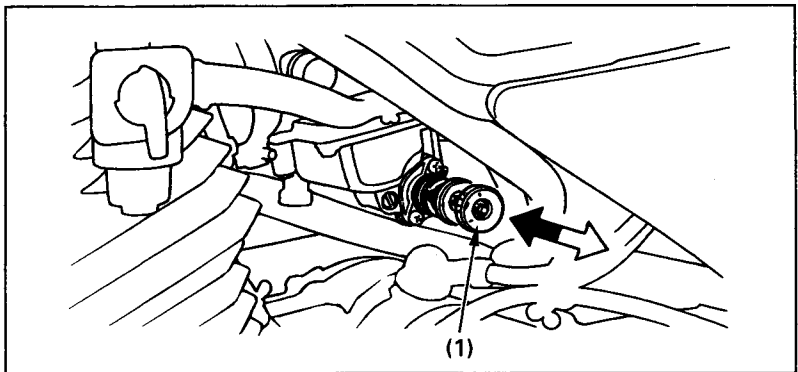


Fig. 2-8 (1) Starting primer knob

### Kick Starter

The kick starter (Fig. 2-9) is on the right side of the FOURTRAX. It is used to start the engine when the battery is low. To operate the kick starter:

1. Unsnap and remove the right side cover (2).
2. Rotate the kick starter (1) outward.

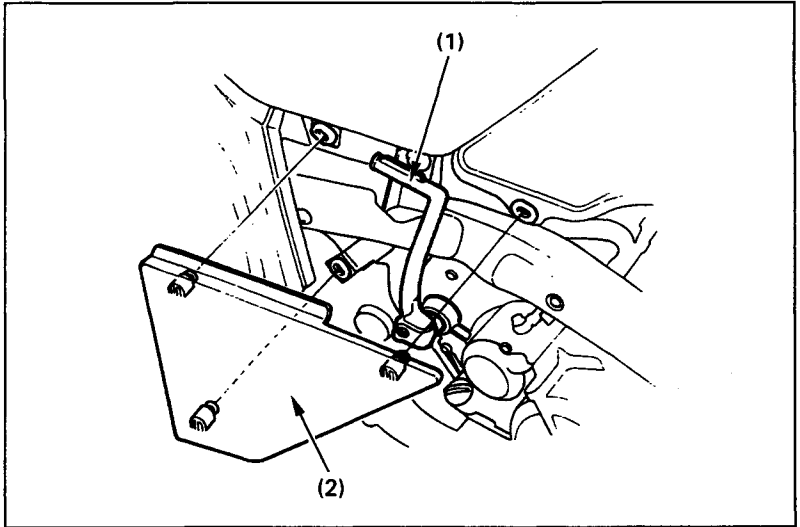


Fig. 2-9

(1) Kick starter

(2) Right side cover

3. If the engine is cold, move the choke lever left to the full choke position (see Fig. 2-6).
4. Raise the decompression lever (Fig. 2-10), located on the right side of the engine, to the "Decomp" position (2).
5. Put your foot on the kick starter and depress the pedal from the top of the stroke all the way to the bottom with a rapid, continuous motion.  
The decompression lever will automatically return to the lowered position.

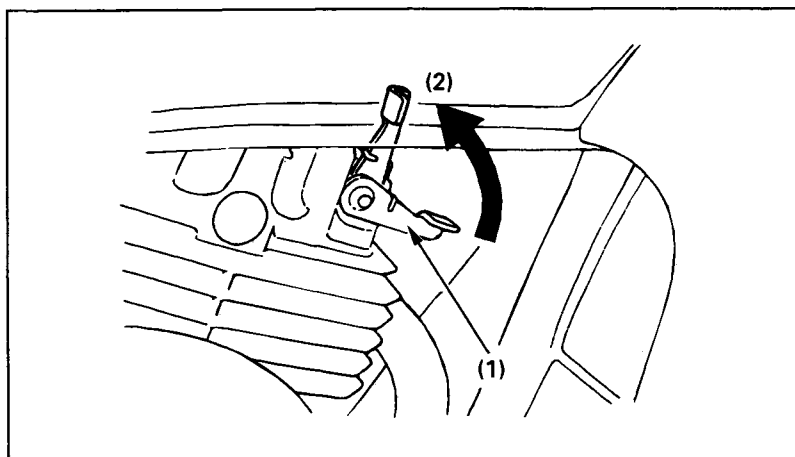


Fig. 2-10 (1) Decompression lever (2) "Decomp" position

### Throttle Lever

The throttle lever (Fig. 2-11) is next to the right handgrip, and it is operated by the thumb. Pressing the lever opens the throttle. When pressure is released, spring tension automatically closes the throttle.

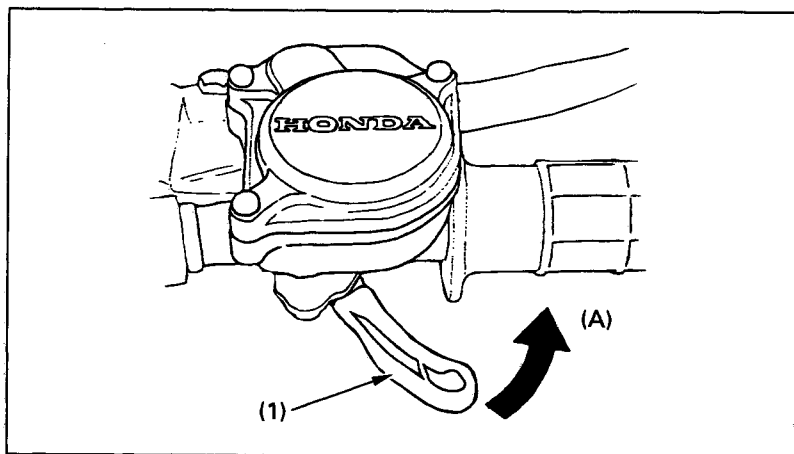


Fig. 2-11 (1) Throttle lever

(A) To open the throttle

## LIGHTS

### Headlight and Dimmer Switches

The headlight and dimmer switches (Fig. 2-12) are above the engine stop switch, next to the left handgrip.

Turning the headlight switch (1) ON turns the headlight on. Use the dimmer switch (2) to select either high beam (HI) or low beam (LO).

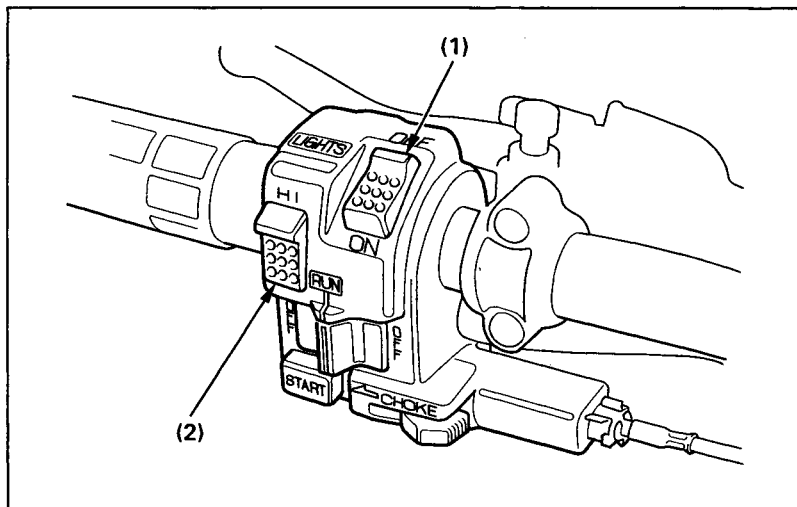


Fig. 2-12 (1) Headlight switch

(2) Dimmer switch

### Oil High Temperature Indicator Lamp

If the engine oil gets too hot, the oil high temperature indicator lamp (Fig. 2-13) will light.

#### NOTE:

The oil high temperature indicator lamp should come on when the ignition switch is turned ON. This is not a problem. The light should go off a few seconds after the engine is started.

#### CAUTION:

**If the light does not come on with ignition switch ON: check the bulb and replace it if it is burned out.**

**Contact your authorized Honda dealer for assistance if you cannot correct the problem.**

If the oil high temperature indicator lamp comes on while you are riding, immediately bring the vehicle to a stop, turn the engine off and let it cool.

**CAUTION:**

- Failure to stop the engine immediately after the oil high temperature indicator lamp comes on will adversely affect the service life of the engine.
- Do not carry or store articles on the front bumper. This may restrict air flow through the engine, causing it to overheat.

If the oil high temperature indicator lamp comes on often, have your FOURTRAX inspected by your Honda dealer. To provide more air flow under adverse conditions, a heavy duty cooling fan is available as an optional part.

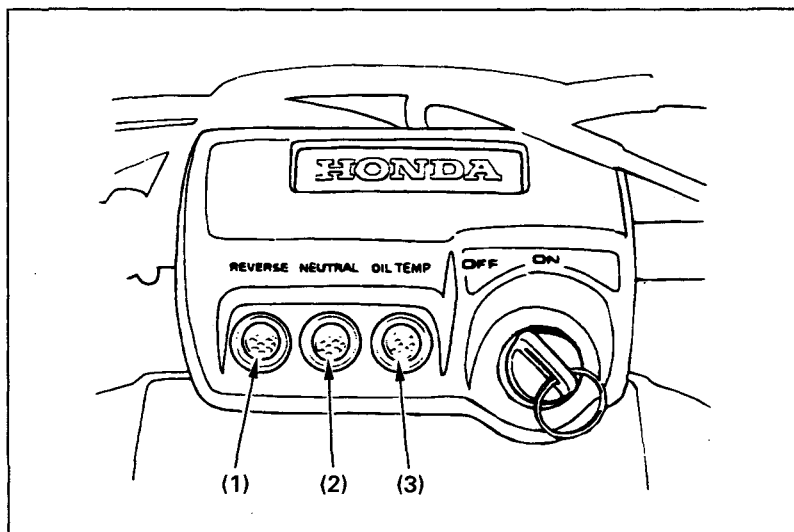


Fig. 2-13 (1) Reverse indicator lamp (2) Neutral indicator lamp (3) Oil high temperature indicator lamp

**Reverse and Neutral Indicator Lamp**

The reverse indicator lamp ( 1 ) and the neutral indicator lamp ( 2 ) (Fig. 2-13) are next to the ignition switch.

The reverse indicator lamp will light when the transmission is in reverse and the ignition switch is ON. The neutral indicator lamp will light when the transmission is in neutral and the ignition switch is ON.

## GEARSHIFT CONTROLS

### Gearshift Pedal

The gearshift pedal is near the left footpeg. One full stroke of the pedal shifts the transmission to the next higher or lower gear in the shifting sequence (Fig. 2-14). The pedal automatically returns to the horizontal position when released.

Your FOURTRAX has five-forward gears (SL, 1, 2, 3, and 4).

To upshift to a higher gear, put the toe of your boot under the gearshift pedal and raise the pedal one full stroke. To downshift, step on the gearshift pedal and depress the pedal one full stroke. (For further operational instructions, see page 61.)

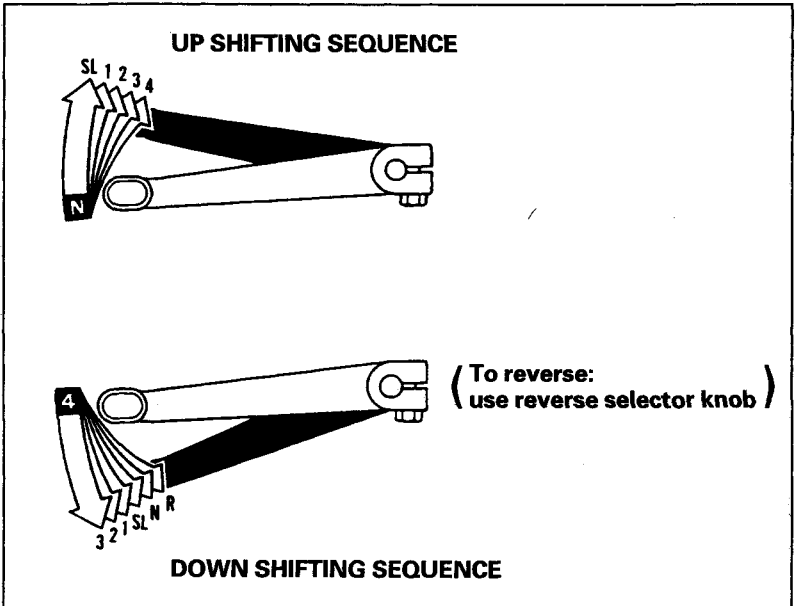


Fig. 2-14

Gearshifting sequence

### Reverse Selector knob

The reverse selector knob (Fig. 2-15) (1) is on the rear brake lever.

To shift into reverse, first bring the FOURTRAX to a complete stop and make sure the transmission is in neutral. While pushing the reverse selector knob (1) in, squeeze the rear brake lever (2), then depress the gearshift pedal.

### CAUTION:

Bring the FOURTRAX to a complete stop before shifting the transmission into reverse. If the transmission is shifted into reverse while the vehicle is moving, the transmission will be damaged.

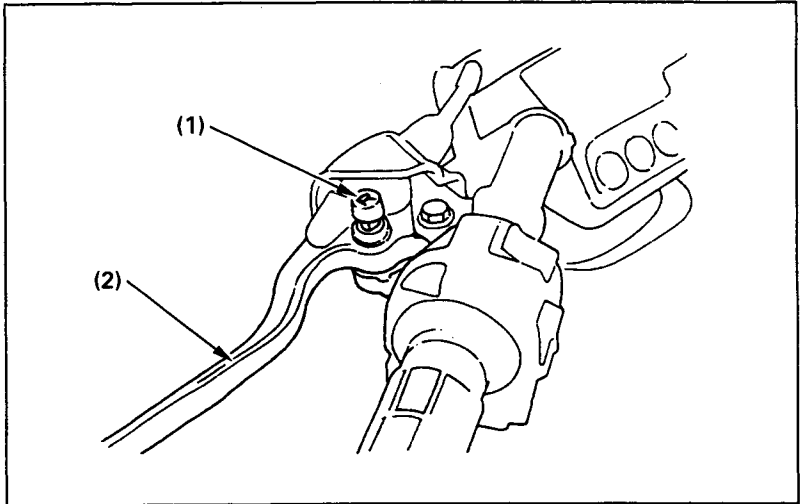


Fig. 2-15 (1) Reverse selector knob (2) Rear brake lever

## BRAKE CONTROLS

### Front Brakes

The front brakes are operated by squeezing the front brake lever, near the right handgrip.

### Rear Brake

The rear brake is operated either by depressing the brake pedal or by squeezing the rear brake lever (Fig. 2-16).

### Parking Brake

The rear brake lever has a lock which allows it to be used as a parking brake.

To set the parking brake, squeeze the rear brake lever ( 1 ) and lock it with the lock lever ( 2 ). Always set the parking brake when parking and before starting the engine.

To unlock the parking brake, squeeze the rear brake lever until the lock lever releases.

Using the parking brake in freezing weather may cause the brakes to freeze in the locked position.

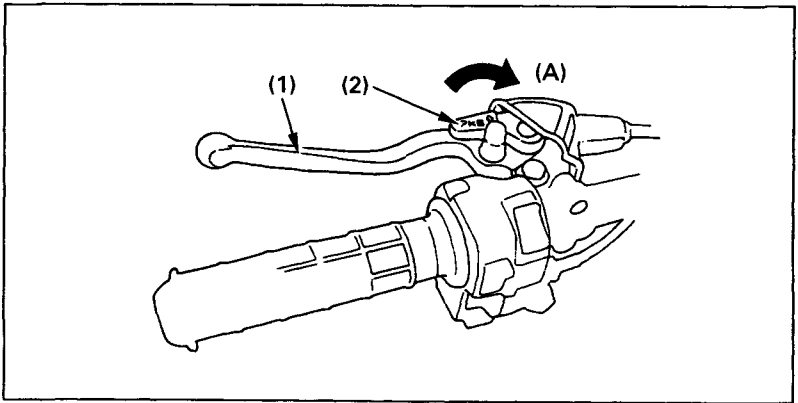


Fig. 2-16 (1) Rear brake lever/  
Parking brake lever (2) Lock lever  
(A) To lock

## FUEL TANK

### Fuel Fill Cap

The fuel fill cap (Fig. 2-17) has a fuel cap vent lever (2) with ON and OFF positions. The lever should be turned to ON to allow fuel to flow when running the engine. Turn the vent lever to OFF to prevent fuel from flowing out the vent hole when transporting the FOURTRAX.

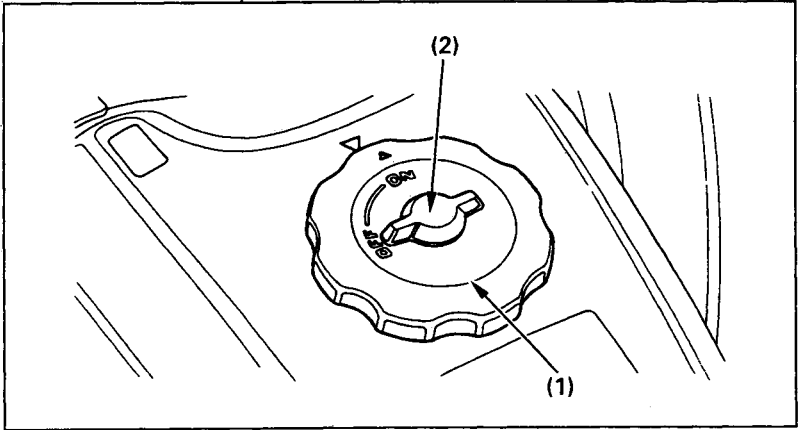


Fig. 2-17 (1) Fuel fill cap

(2) Fuel cap vent lever

## Fuel Valve

The fuel valve (Fig. 2-18) is on the left side of the fuel tank, and it has three positions:

### OFF

When the fuel valve is in the OFF position, fuel cannot flow to the carburetor. Turn the valve OFF whenever the FOURTRAX is not in use.

### ON

When the fuel valve is in the ON position, fuel will flow from the main fuel supply to the carburetor.

### RES

When the fuel valve is in the RES position, fuel will flow from the reserve fuel supply to the carburetor. Use the reserve fuel only when the main supply is gone.

Refill the tank as soon as possible after switching to RES. The reserve fuel supply is:

2.5 ℓ (0.66 US gal , 0.55 Imp gal)

### NOTE:

After refueling, do not operate the FOURTRAX with the fuel valve in the RES position. If you run out of fuel, there will be no reserve supply.

For gasoline recommendations and refueling instructions, see pages 84–87.

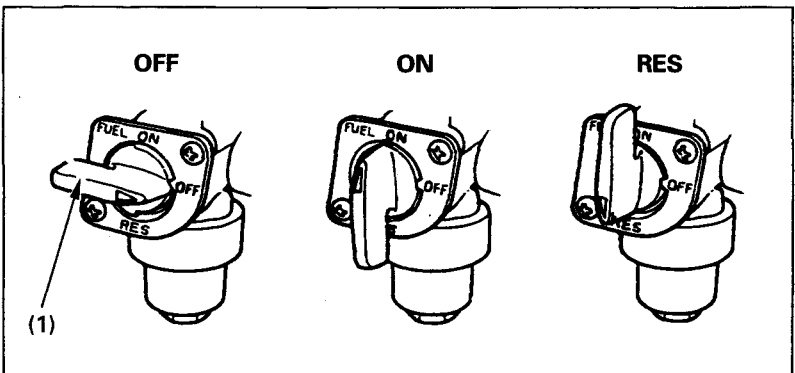


Fig. 2-18

(1) Fuel valve

## ENGINE OIL

### Oil Filler Cap/Dipstick

The oil filler cap/dipstick (Fig. 2-19), on the right crankcase cover, is used to measure the oil level. The oil should be checked each day before operating the FOURTRAX and maintained between the upper level mark (2) and the lower level mark (3).

For oil recommendations and instructions on checking, adding and changing oil, see pages 100 – 104.

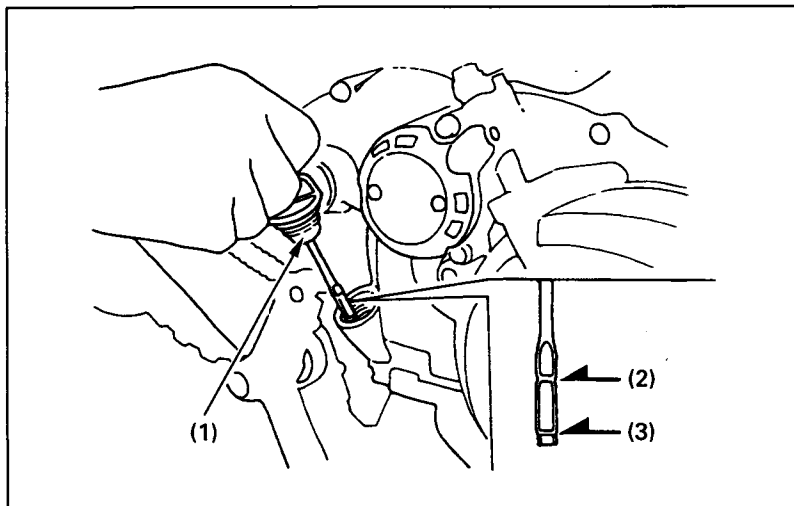


Fig. 2-19 (1) Oil filler cap/dipstick (2) Upper level mark (3) Lower level mark

While reading this manual, remember:

#### **▲WARNING**

Indicates a strong possibility that serious injury or death may result if instructions are not followed.

## ADDITIONAL FEATURES

### Helmet Holder

The helmet holder (Fig. 2-20) is a bracket near the left side of the handlebar cover (1). To use the holder, hang the D-ring on your helmet strap over the bracket. Use the helmet holder only when the FOURTRAX is parked.

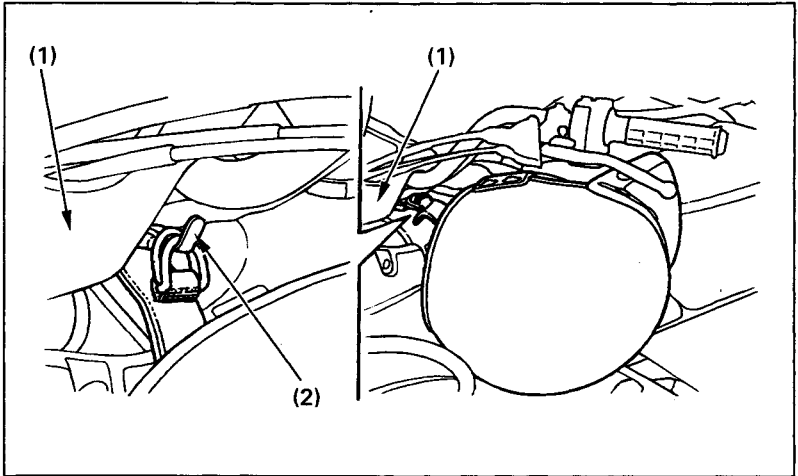


Fig. 2-20 (1) Handlebar cover (2) Helmet holder

## **⚠ WARNING**

### **POTENTIAL HAZARD**

**Operating this ATV with a helmet attached to the helmet holder.**

### **WHAT CAN HAPPEN**

**Can impair your ability to steer the vehicle.**

### **HOW TO AVOID THE HAZARD**

**Never ride this ATV with a helmet attached to the helmet holder.  
Use the helmet holder only while the ATV is parked.**

### Flag Pole Bracket

The flag pole bracket (Fig. 2-21) is on the rear cargo rack. Flag poles are optional equipment available from your Honda dealer. To mount a pole in the bracket, follow the instructions that come with the flag pole kit.

#### NOTE:

Flag poles are required in some riding areas. Check local regulations before riding.

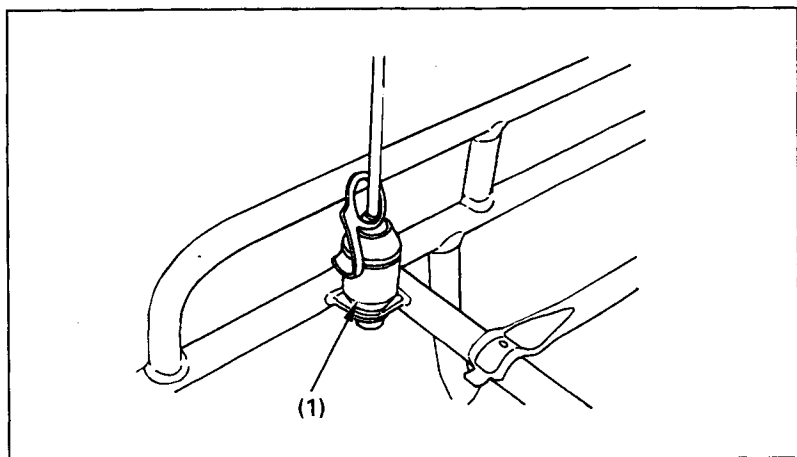


Fig. 2-21

(1) Flag pole bracket

### Trailer Hitch

The trailer hitch is located on the rear axle housing. As illustrated in Fig. 2-22, to use the hitch, you'll need a proper size ball as specified by the trailer manufacturer.

To attach the ball and properly hook up a trailer, follow the trailer manufacturer's instructions. For load limits and operational guidelines, see pages 39–41.

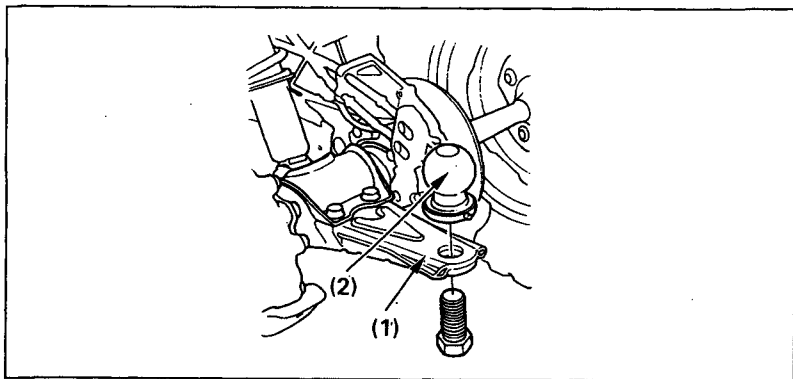


Fig. 2-22 (1) Trailer hitch (2) An example ball

### Storage Compartment

The storage compartment (Fig. 2-23) is behind the seat. To open the compartment, unhook the rubber straps (3) and lift the rear rack (4). The owner's manual (5), tool kit (6), and air pressure gauge (7) should be stored in the storage compartment.

Be careful not to flood this area when washing your FOURTRAX or riding through water.

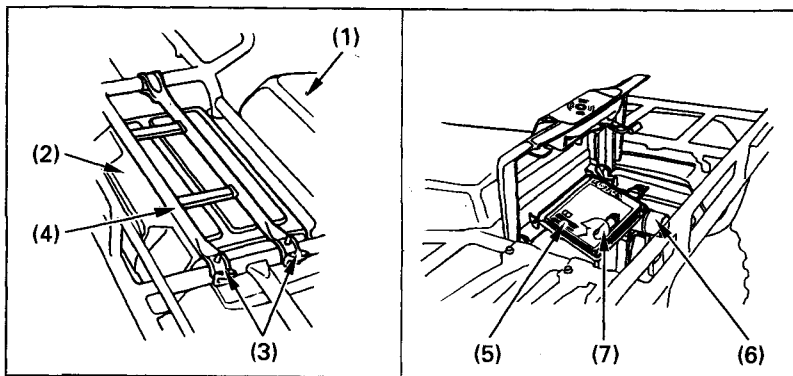


Fig. 2-23 (1) Seat (2) Storage compartment (3) Rubber straps (4) Rear rack (5) Owner's manual (6) Tool kit (7) Air pressure gauge

## 12 V DC Power Supply

The DC receptacle (1) (Fig. 2-24) is attached to the right handlebar, near the handlebar cover (2). The receptacle provides 12 V DC power at a maximum of 180 watts (15 amps). If you exceed this limit, you may blow the fuse. (For information on fuses, and how to replace a fuse, see pages 115–116).

### NOTE:

If your FOURTRAX is equipped with an optional cooling fan, the receptacle provides 12 V DC power at a maximum of 120 Watts (10 amps).

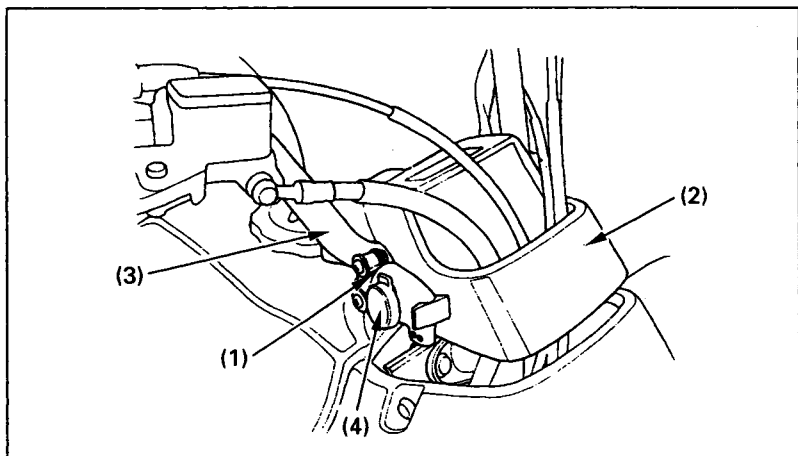


Fig. 2-24      (1) 12 V DC receptacle      (3) Right handlebar  
                  (2) Handlebar cover            (4) Special DC plug

Electrical accessories may be connected to the receptacle by using the special DC plug (4) (Fig. 2-24) that comes attached to the receptacle. Be sure to use only accessories that are designed for 12 V DC power.

### To wire the special DC plug to an accessory:

1. Remove the plug (4) from the receptacle (1) (Fig. 2-24).
2. Remove the plug cover (2) from the plug (Fig. 2-25).
3. Thread the positive and negative accessory leads through the plug cover as indicated in Fig. 2-25.
4. Attach the leads to the plug (1). Make sure to connect the positive lead (3) and the negative lead (4) to the proper terminals (Fig. 2-25).

**NOTE:**

Use AWG18-AWG20 electrical wire for attaching an accessory to the special plug. Make sure the accessory leads are properly insulated, and keep them away from hot engine parts and sharp edges.

**CAUTION:**

Use of an improper wire size may damage the system.

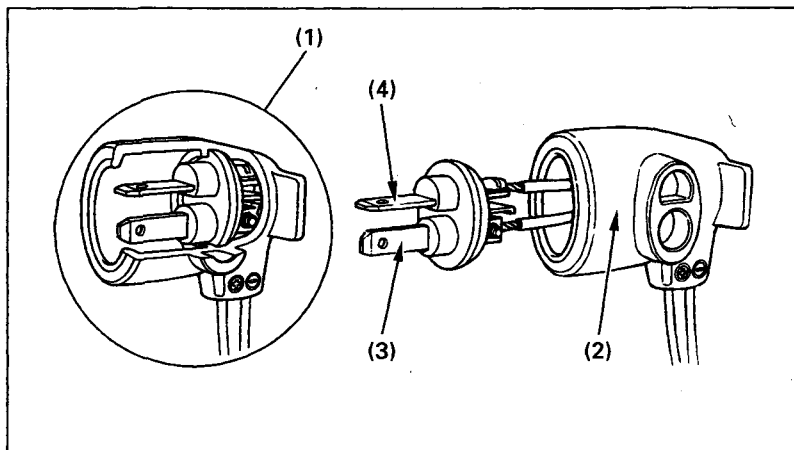


Fig. 2-25 (1) Special DC plug  
(2) Plug cover

(3) Positive lead  
(4) Negative lead

5. Replace the plug cover.
6. With the ignition switch OFF, insert the plug into the receptacle. Be careful not to twist the accessory leads. Make sure the leads extend from the bottom of the plug.

**CAUTION:**

To avoid possible damage to electrical components, make sure the ignition switch is OFF when inserting or removing the special DC plug.

When the receptacle is not being used, cover it with the rubber cap attached to the receptacle to keep out dust, water and sand.

## RIDING YOUR FOURTRAX

This part of the Owner's Manual discusses how to ride your FOURTRAX safely. Please review the special safety messages on pages 1–5 . While reading this manual, remember:

**⚠ WARNING** Indicates a strong possibility that serious injury or death may result if instructions are not followed.

### BEFORE RIDING

You need to be prepared before riding. This includes getting proper instruction, making sure your FOURTRAX is in good operating condition, and learning some basic safe-riding rules.

### RIDER PREPARATION

#### **Age Recommendation**

The minimum recommended age for this FOURTRAX model is 16. For safety, never let children under 16 years old operate this vehicle.

**⚠ WARNING**

**POTENTIAL HAZARD**

**Failure to follow the age recommendation for this ATV.**

**WHAT CAN HAPPEN**

**If children use ATVs that are not recommended for their age, severe injury or death can result.**

**Even though a child may be within the age group for which an ATV is recommended, he or she may not have the skills, abilities, or judgment needed to operate the ATV safely and may be involved in a serious accident.**

**HOW TO AVOID THE HAZARD**

**A child under 16 should never operate an ATV with engine size greater than 90 cc.**

## **Rider Training**

Beginning and inexperienced riders should get proper instruction on how to operate this FOURTRAX safely. A hands-on rider training course is available in your area. For information, contact your Honda dealer.

### **⚠ WARNING**

#### **POTENTIAL HAZARD**

**Operating this ATV without proper instruction.**

#### **WHAT CAN HAPPEN**

**The risk of an accident is greatly increased if the operator does not know how to operate the ATV properly in different situations and on different types of terrain.**

#### **HOW TO AVOID THE HAZARD**

**Beginning and inexperienced operators should complete the certified training course offered by Honda. They should then regularly practice the skills learned in the course and the operating techniques described in this Owner's Manual.**

**For more information about the training course, contact an authorized Honda dealer or call 1-800-447-4700.**

## **VEHICLE PREPARATION**

### **Pre-Ride Inspection**

Inspect your FOURTRAX every day before you ride it. Checking the items below will take only a few minutes, and in the long run, they can save time, expense, and possibly your life.

1. **Engine oil level.** Check the oil level and add oil if required (pages 100-104). Check for leaks.

2. **Fuel level.** Fill the fuel tank when necessary (pages 86–89). Check for leaks.
3. **Brakes.** Check operation. Make sure there is no brake fluid leakage. If necessary, adjust free play (pages 115–124).
4. **Tires.** Check condition and pressure (pages 130–132).
5. **Throttle.** Check for smooth opening and closing in all steering positions.
6. **Headlight and headlight dimmer switches.** Check for proper function (page 20).
7. **Engine stop switch.** Check for proper function (page 14).
8. **Nuts, bolts, fasteners.** Check the wheels to see that the axle nuts are tightened. Check the security of all other nuts, bolts and fasteners.
9. **Steering.** Check that the wheels turn properly as you steer the handlebars.
10. **Cargo.** Check that all cargo is properly secured.
11. **Underbody and exhaust system.** Check for, and remove, any dirt, vegetation or other debris that could be a fire hazard or interfere with the proper operation of the vehicle.
12. **Air cleaner case drain tube.** Check for deposits in the drain tube. If necessary, clean the tube (page 96) and check the air cleaner case.

## **▲ WARNING**

### **POTENTIAL HAZARD**

**Failure to inspect the ATV before operating.  
Failure to properly maintain the ATV.**

### **WHAT CAN HAPPEN**

**Increases the possibility of an accident.**

### **HOW TO AVOID THE HAZARD**

**Always inspect your ATV each time you use it to make sure the ATV is in safe operating condition.**

**Always follow the inspection and maintenance procedures and schedules described in this Owner's Manual.**

Correct any problem before you ride. If you can't correct a problem, contact your Honda dealer for assistance.

If your FOURTRAX has overturned or been involved in a collision, do not ride the vehicle until it has been inspected by an authorized Honda dealer. There may be damage or other problems you cannot see.

### **Tires**

Before riding, make sure your FOURTRAX has the proper tires and that they are in good condition. Also be sure the tires are inflated to the proper air pressure (see page 127).

## **⚠ WARNING**

### **POTENTIAL HAZARD**

**Operating this ATV with improper tires, or with improper or uneven tire pressure.**

### **WHAT CAN HAPPEN**

**Use of improper tires on this ATV, or operation of this ATV with improper or uneven tire pressure, may cause loss of control, increasing your risk of an accident.**

### **HOW TO AVOID THE HAZARD**

**Always use the size and type tires specified in the Owner's Manual for this vehicle.**

**Always maintain proper tire pressure as described in this Owner's Manual.**

## **Loading**

### **Load Limits**

There are limits to how much weight can be carried on your FOURTRAX and be pulled in a trailer.

#### **NOTE:**

The following weight limits apply to standard equipment only. Modifying your FOURTRAX, using non-standard equipment or riding on terrain that is not flat and smooth could further reduce these limits.

**Maximum weight capacity**      **210 kg (460 lbs) maximum**

(Combined weight of the rider, all accessories and all cargo)

**Front cargo rack weight limit**      **= 30 kg (66 lbs) maximum**

**Rear cargo rack weight limit**      **= 60 kg (133 lbs) maximum**

**Tow weight limit**      **= 385 kg (850 lbs) maximum**

(Combined weight of the trailer and all cargo in the trailer)

**Tongue weight**      **= 14 kg (30 lbs) recommended**

(Weight on the trailer tongue)

**Tongue and rear cargo weight**      **= 60 kg (133 lbs) maximum**

(Combined weight on the trailer tongue and on the rear cargo rack)

## **Loading and Operational Guidelines**

Carrying cargo or pulling a trailer will affect how your FOURTRAX handles and greatly reduce its ability in accelerating, braking and making turns and other maneuvers.

Be sure to observe the weight limits and follow these guidelines:

1. Do not place cargo anywhere on the FOURTRAX other than on the front and rear racks. Otherwise, operating stability may be adversely affected.
2. Never ride with a passenger on the front or rear cargo racks. The FOURTRAX is not designed to carry a passenger.
3. Do not tow another vehicle or a trailer with a rope or cable attached to the rear rack. Use the trailer hitch.
4. Load cargo on the rear rack as far forward as possible. Make sure cargo on the front rack does not interfere with handlebar movement.
5. Do not allow cargo to extend beyond the edges of either the front or rear racks.
6. Make sure all cargo is secured before riding.
7. When towing a trailer, take care to maintain balance and stability. Distribute cargo between the front and rear of the trailer to obtain the recommended tongue weight.

### **NOTE:**

Tongue weight can be measured with ordinary bathroom scales. Place the scales under the tongue, using either the tongue jack or other support to keep the trailer level.

8. Allow extra room for starting, stopping and turning whenever you carry cargo or pull a trailer.
9. Avoid riding on steep slopes when carrying cargo or pulling a trailer.
10. Never cross a slope when towing a trailer.

## **⚠ WARNING**

### **POTENTIAL HAZARD**

**Overloading this ATV or carrying or towing cargo improperly.**

### **WHAT CAN HAPPEN**

**Could cause changes in vehicle handling, stability and braking which could lead to an accident.**

### **HOW TO AVOID THE HAZARD**

**Never exceed the stated load limits for this ATV.**

**Cargo should be properly distributed and securely attached.**

**Reduce speed when carrying cargo or pulling a trailer. Allow greater distance for braking.**

**Use extra care when operating on hills and riding over obstacles. Never cross a slope when pulling a trailer.**

**Always follow the instructions in this Owner's Manual for carrying cargo or pulling a trailer.**

## **Accessories**

Genuine Honda accessories have been specifically designed for and tested on this vehicle. Because Honda cannot test all other accessories, you are personally responsible for properly selecting, installing, and using non-Honda accessories. Always follow the loading instructions above, plus the following:

1. Carefully inspect the accessory to make sure it does not block any lights, reduce ground clearance, or limit suspension travel, steering travel, or other controls.
2. Make sure the accessory does not interfere with your ability to shift body position on the seat or operate hand and foot controls.
3. Do not add electrical equipment that will exceed the vehicle's electrical system capacity. A blown fuse could cause a loss of lights or engine power.

## **⚠ WARNING**

### **POTENTIAL HAZARD**

**Operating this ATV with improper modifications.**

### **WHAT CAN HAPPEN**

**Improper installation of accessories or modification of this vehicle may cause changes in handling which could lead to an accident.**

### **HOW TO AVOID THE HAZARD**

**Never modify this ATV through improper installation or use of accessories. All parts and accessories added to this vehicle should be genuine Honda or equivalent components designed for use on this ATV and should be installed and used according to instructions. If you have questions, consult an authorized Honda dealer.**

While reading this manual, remember:

### **⚠ WARNING**

**Indicates a strong possibility that serious injury or death may result if instructions are not followed.**

### **No Modifications**

Modifying this FOURTRAX or removing original equipment may render the vehicle unsafe or illegal. Spark arresters and mufflers are required in most areas. Don't modify your exhaust system. Remember, excessive noise bothers everyone and creates a bad image for off-road vehicles.

### **SAFE RIDING RULES**

#### **Protective Apparel**

Always wear an approved motorcycle helmet when riding your FOURTRAX. You should also always wear goggles or a face shield, gloves, boots, a long-sleeved shirt or jacket, and long pants.

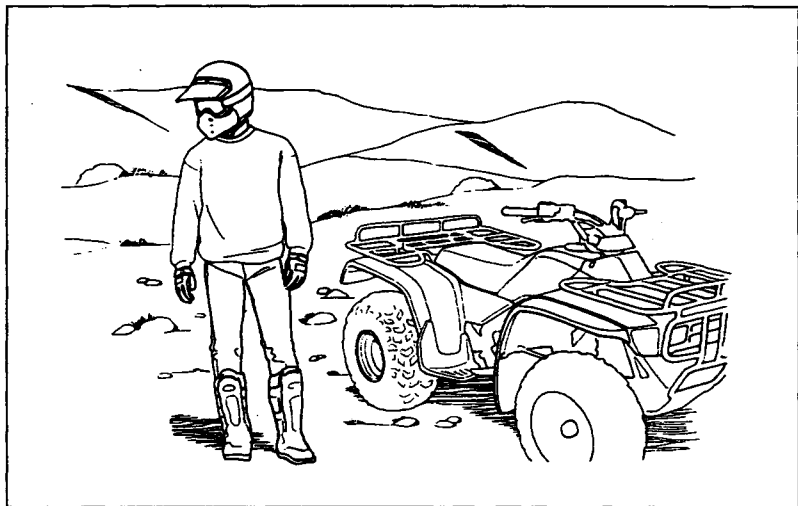


Fig. 3-1

An example of a properly dressed rider.

## **⚠ WARNING**

### **POTENTIAL HAZARD**

**Operating this ATV without wearing an approved motorcycle helmet, eye protection and protective clothing.**

### **WHAT CAN HAPPEN**

**Operating without an approved motorcycle helmet increases your chances of a severe head injury or death in the event of an accident.**

**Operating without eye protection can result in an accident and increases your chances of a severe injury in the event of an accident.**

**Operating without protective clothing increases your chances of severe injury in the event of an accident.**

### **HOW TO AVOID THE HAZARD**

**Always wear an approved motorcycle helmet that fits properly.**

**You should also wear: eye protection (goggles or face shield), gloves, boots, long-sleeved shirt or jacket and long pants.**

### **No Passengers**

This FOURTRAX is designed as an operator-only vehicle. The long seat is designed to allow the rider to change body position, not for carrying a passenger. Never let a passenger ride on the seat or on the front or rear cargo racks.

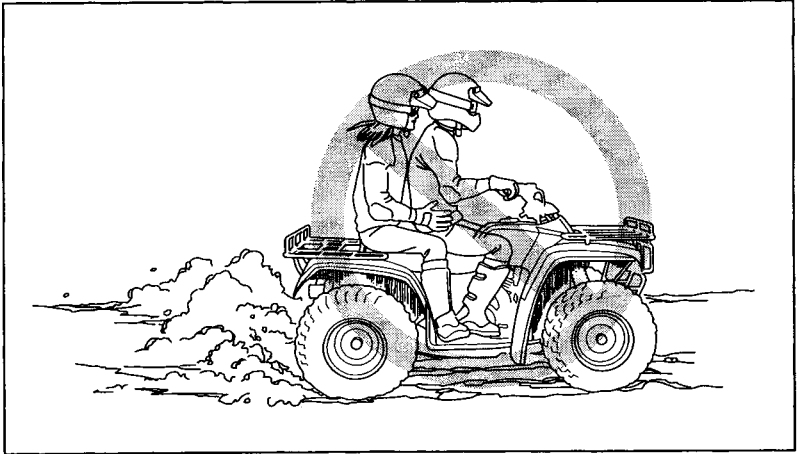


Fig. 3-2

Never carry a passenger on your FOURTRAX.

## **▲ WARNING**

### **POTENTIAL HAZARD**

Carrying a passenger on this ATV.

### **WHAT CAN HAPPEN**

Greatly reduces your ability to balance and control this ATV.

Could cause an accident, resulting in harm to you and/or your passenger.

### **HOW TO AVOID THE HAZARD**

Never carry a passenger. The long seat is to allow the operator to shift position as needed during operation. It is not for carrying passengers.

### **No Alcohol or Drugs**

Alcohol, drugs and FOURTRAX's don't mix. Even a small amount of alcohol can impair your ability to operate a FOURTRAX safely. Likewise, drugs—even if prescribed by a physician—can be dangerous while operating a FOURTRAX. Consult your doctor to be sure it is safe to operate a vehicle after taking medication.

## **⚠ WARNING**

### **POTENTIAL HAZARD**

**Operating this ATV after consuming alcohol or drugs.**

### **WHAT CAN HAPPEN**

- Could seriously affect your judgment.**
- Could cause you to react more slowly.**
- Could affect your balance and perception.**
- Could result in an accident.**

### **HOW TO AVOID THE HAZARD**

**Never consume alcohol or drugs before or while driving this ATV.**

### **Off-Road Only**

Your FOURTRAX is designed and manufactured for off-road use only, not for pavement. Riding on pavement can affect handling and control. You should not ride your FOURTRAX on pavement.

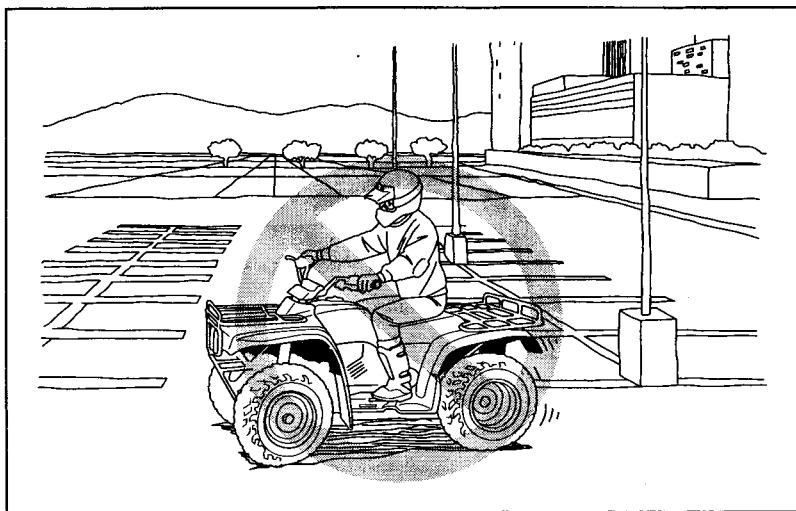


Fig. 3-3

Never ride on paved surfaces.

## **▲ WARNING**

### **POTENTIAL HAZARD**

**Operating this ATV on paved surfaces.**

### **WHAT CAN HAPPEN**

**The ATV and its tires are designed for off-road use only, not for use on pavement. Paved surfaces may seriously affect handling and control of the ATV, and may cause the vehicle to go out of control.**

### **HOW TO AVOID THE HAZARD**

**Never operate the ATV on any paved surfaces, including sidewalks, driveways, parking lots and streets.**

You should never ride your FOURTRAX on public streets, roads or highways, even if they are not paved. Drivers of street vehicles may have difficulty seeing and avoiding you, which could lead to a collision.

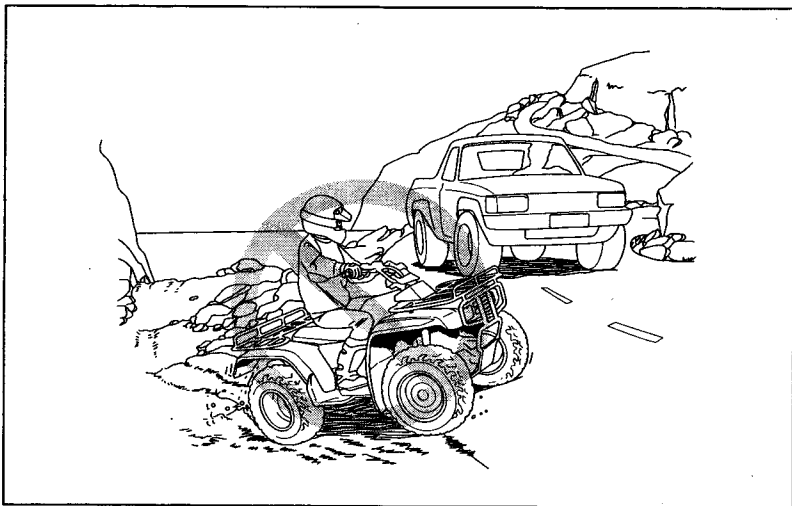


Fig. 3-4

Never ride on public roads or highways.

## **▲ WARNING**

### **POTENTIAL HAZARD**

**Operating this ATV on public streets, roads or highways.**

### **WHAT CAN HAPPEN**

**You can collide with another vehicle.**

### **HOW TO AVOID THE HAZARD**

**Never operate this ATV on any public street, road or highway, even a dirt or gravel one.**

**In many states it is illegal to operate ATVs on public streets, roads and highways.**

## **FOR OFF-ROAD USE ONLY**

This vehicle is designed and manufactured for off-road use only. It conforms to US EPA Noise Emission regulations, but does not conform to Federal Motor Vehicle Safety Standards or US EPA Exhaust Emission regulations, and operation on public streets, roads, or highways is illegal. The vehicle is equipped with a USDA qualified spark arrester. Obey local laws and regulations.

When riding off-road, also remember to always obey local off-road riding laws and regulations. Obtain permission to ride on private property. Avoid posted areas and obey "no trespassing" signs.

### **Keep Hands and Feet on Controls**

Always keep both hands on the handlebars and both feet on the footpegs when riding your FOURTRAX. This is important to maintain your balance and to control the vehicle. If you put your feet on the ground while the FOURTRAX is moving, they could come in contact with the rear wheels, causing injury.

## **⚠ WARNING**

### **POTENTIAL HAZARD**

**Removing hands from handlebars or feet from footpegs during operation.**

### **WHAT CAN HAPPEN**

**Removing even one hand or foot can reduce your ability to control the ATV or could cause you to lose your balance and fall off of the ATV. If you remove a foot from the footpeg, your foot or leg may come into contact with the rear wheels, which could injure you or cause an accident.**

### **HOW TO AVOID THE HAZARD**

**Always keep both hands on the handlebars and both feet on the footpegs of your ATV during operation.**

## **Control Speed**

Riding at excessive speed increases the chance of an accident. In choosing a proper speed, you need to consider the capability of your vehicle, the terrain, visibility and other operating conditions, plus your own skills and experience.

### **⚠ WARNING**

#### **POTENTIAL HAZARD**

**Operating this ATV at excessive speeds.**

#### **WHAT CAN HAPPEN**

**Increases your chances of losing control of the ATV, which can result in an accident.**

#### **HOW TO AVOID THE HAZARD**

**Always go at a speed that is proper for your vehicle, the terrain, visibility and other operating conditions, and your experience.**

### **No Stunts**

When riding, you should keep all four wheels of your FOURTRAX on the ground. Avoid “wheelies,” jumps and other stunts, as they could cause loss of control.

## **⚠ WARNING**

### **POTENTIAL HAZARD**

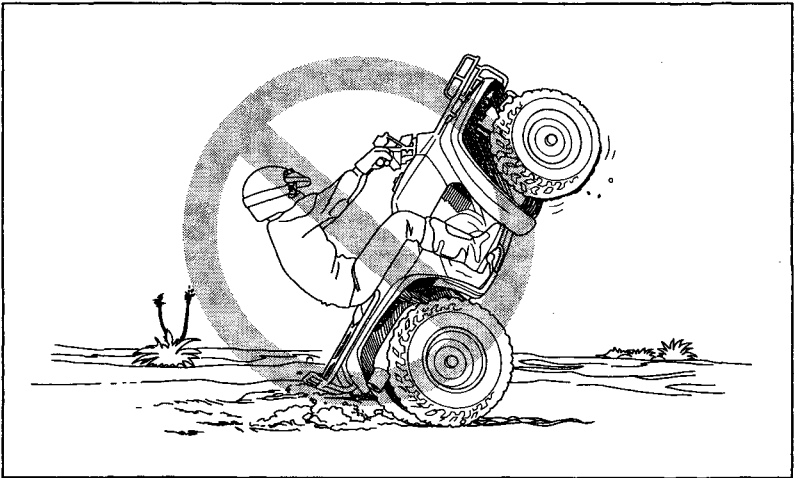
**Attempting wheelies, jumps, and other stunts.**

### **WHAT CAN HAPPEN**

**Increases the chance of an accident, including an overturn.**

### **HOW TO AVOID THE HAZARD**

**Never attempt stunts, such as wheelies or jumps.  
Don't try to show off.**



**Fig. 3-5**

**Never attempt wheelies or other stunts.**

### Use Care on Unfamiliar Terrain

Before riding in a new area, always check the terrain thoroughly. Don't ride fast on unfamiliar terrain or when visibility is limited. (It's sometimes difficult to see obstructions.)

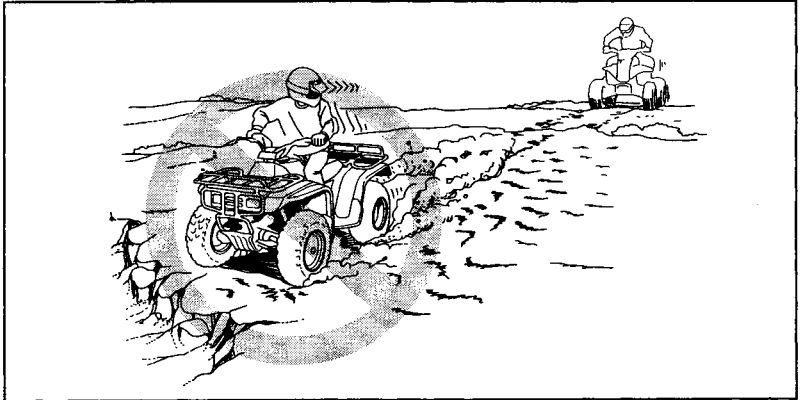


Fig. 3-6

Be alert for changes in the terrain.

## **⚠ WARNING**

### **POTENTIAL HAZARD**

Failure to use extra care when operating this ATV on unfamiliar terrain.

### **WHAT CAN HAPPEN**

You can come upon hidden rocks, bumps, or holes without enough time to react.

Could result in the ATV overturning or going out of control.

### **HOW TO AVOID THE HAZARD**

Go slowly and be extra careful when operating on unfamiliar terrain.

Always be alert to changing terrain conditions when operating the ATV.

Never ride past your limit of visibility. Maintain a safe distance between your FOURTRAX and other off-road vehicles. Always exercise caution, and use extra care on rough, slippery and loose terrain.

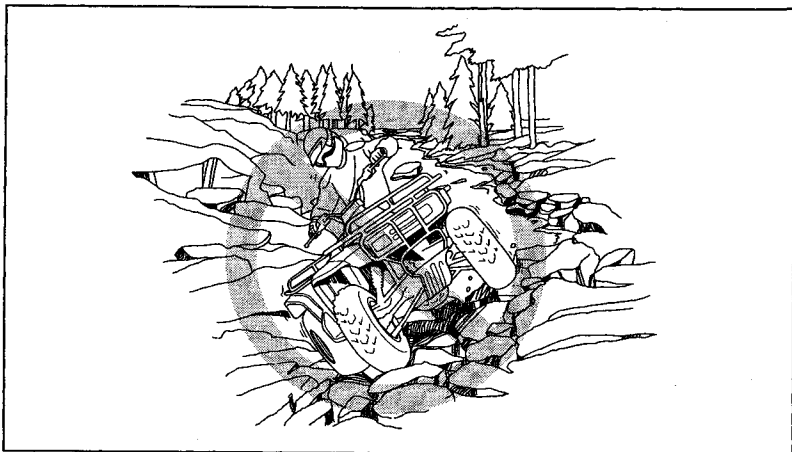


Fig. 3-7

Use extra care on rough terrain.

## **⚠ WARNING**

### **POTENTIAL HAZARD**

Failure to use extra care when operating on excessively rough, slippery or loose terrain.

### **WHAT CAN HAPPEN**

Could cause loss of traction or vehicle control, which could result in an accident, including an overturn.

### **HOW TO AVOID THE HAZARD**

Do not operate on excessively rough, slippery or loose terrain until you have learned and practiced the skills necessary to control the ATV on such terrain.

Always be especially cautious on these kinds of terrain.

## **RIDING**

For your initial riding practice, select a safe area free of obstacles with a level surface of dirt or sand. Practice at low speed until you are confident in shifting gears, braking, and making turns.

### **⚠ WARNING**

#### **POTENTIAL HAZARD**

**Running the engine in an enclosed area.**

#### **WHAT CAN HAPPEN**

**Engine exhaust contains carbon monoxide gas that can cause loss of consciousness and may lead to death.**

#### **HOW TO AVOID THE HAZARD**

**Never operate the ATV engine in an enclosed area, such as a garage.**

## STARTING THE ENGINE

### Preparation

1. Select a level surface and lock the parking brake (page 25 ) before starting the engine.
2. Turn the fuel cap vent lever ( 1 ), fuel valve ( 2 ) and ignition switch ( 3 ) to ON.
3. Make sure the engine stop switch ( 4 ) is at run.
4. Make sure that the transmission is in neutral by checking that the neutral indicator lamp lights.

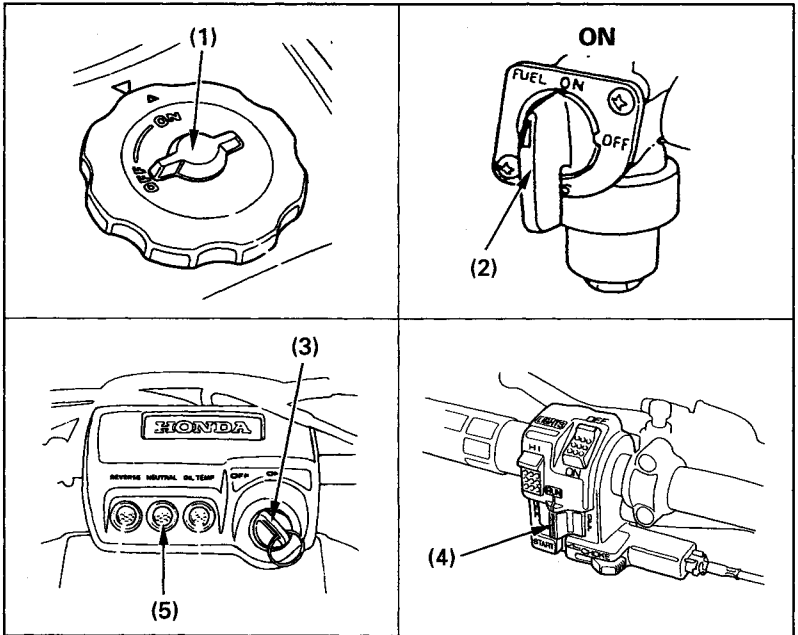


Fig. 3-8 (1) Fuel cap vent lever  
(2) Fuel valve  
(3) Ignition switch

(4) Engine stop switch  
(5) Neutral indicator lamp

### Starting Procedure (After Preparation)

To restart a warm engine, follow the procedure for High Air Temperature.

The starter motor will operate only when the transmission is in neutral.

### Normal Air Temperature

10°–35°C (50°–95°F)

1. Move the choke lever left to the halfway position (B).
2. With the throttle slightly open, push the starter button.

### CAUTION:

- Pressing the electric starter button for more than 5 seconds at a time may cause the starter to overheat and damage the starter. Release the starter button for approximately 10 seconds before pressing it again.

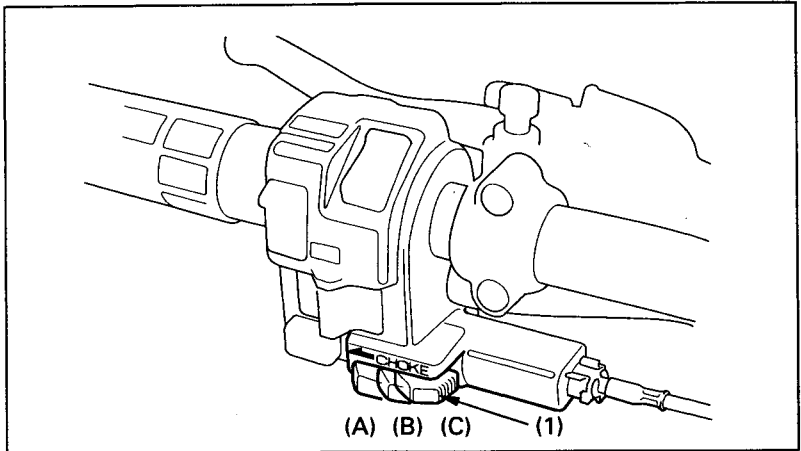


Fig. 3-9 (1) Choke lever

(A) Fully ON  
(B) Halfway position  
(C) Fully OFF

3. After the engine has warmed up, move the choke lever right to the fully OFF. (C)
4. If idling is unstable, open the throttle slightly.

### High Air Temperature

35°C (95°F) or above

1. Do not use the choke.
2. With the throttle slightly open, push the starter button.
3. Warm up the engine by opening and closing the throttle slightly.
4. If idling is unstable, open the throttle slightly.

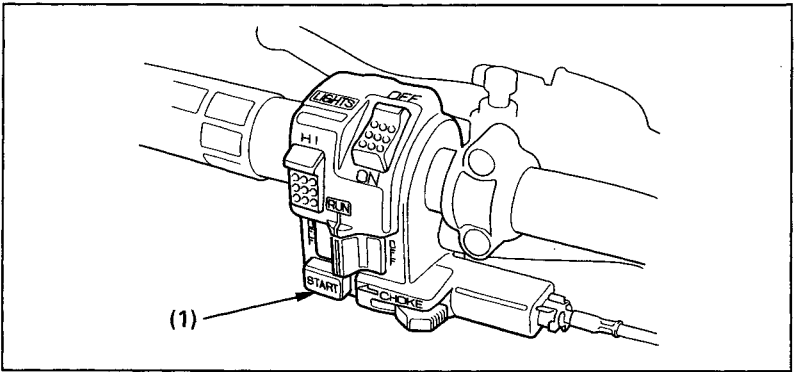


Fig. 3-10

(1) Starter button

### Low Air Temperature

10°C (50°F) or below

1. Follow step 1–2 under "Normal Air Temperature."
2. Warm up the engine by opening and closing the throttle slightly.
3. After the engine has warmed up, move the choke lever right to the fully OFF. (C)
4. If idling is unstable, open the throttle slightly.

### CAUTION:

- \* Extended use of the choke may impair piston and cylinder wall lubrication and shorten the life of the engine.
- \* Do not race the engine during the warm-up period.  
Racing a cold engine wastes fuel and increases engine wear.

### **Flooded Engine**

If the engine does not start after pushing the starter button several times, it may have become flooded with excess fuel. To clear the engine:

1. Turn the engine stop switch OFF.
2. Move the choke lever to the OFF position.
3. Hold the throttle fully open and briefly press the starter button or operate the kick starter several times.
4. When the engine is cleared, wait 10 seconds. Then turn the engine stop switch ON and repeat the normal starting procedure, but don't use the choke.

### **High Altitude Adjustment**

For operation above 3,000 feet (1,000 m), it may be necessary to switch to high altitude carburetor jetting (See page 95 ).

## SHIFTING GEARS

After starting the engine and letting it warm up, follow these procedures:

1. With the transmission in neutral, release the parking brake, but continue squeezing the rear brake lever.
2. With the throttle closed, raise the gearshift pedal one full stroke to shift into SL (super low) gear.
3. Release the rear brake lever and increase engine speed by gradually opening the throttle.
4. When speed increases, release the throttle and shift to 1st gear by raising the gearshift pedal one full stroke.
5. Repeat this sequence to progressively upshift to 2nd, 3rd and 4th (top) gear.
6. To downshift, reverse this sequence. Remember to close the throttle each time you shift to the next lower gear.

### **▲ WARNING**

#### **POTENTIAL HAZARD**

**Shifting gears without releasing the throttle.**

#### **WHAT CAN HAPPEN**

**Could cause loss of control or cause the ATV to overturn.**

#### **HOW TO AVOID THE HAZARD**

**Always release the throttle when shifting gears.**

## RIDING IN REVERSE

To shift into reverse, first bring the vehicle to a complete stop and make sure the transmission is in neutral. Then follow these procedures:

1. Be sure there are no obstacles or people in the way.
2. While pushing the reverse selector knob in, squeeze the rear brake lever, then depress the gearshift pedal.
3. Release the rear brake lever.
4. Open the throttle gradually and ride slowly. Do not open the throttle suddenly or make abrupt turns.
5. To stop, close the throttle and gradually apply both the front and rear brakes. Do not abruptly apply the rear brake by itself.
6. To shift out of reverse and into neutral, raise the gearshift pedal one stroke.

While reading this manual, remember:

### **▲ WARNING**

Indicates a strong possibility that serious injury or death may result if instructions are not followed.

## **⚠ WARNING**

### **POTENTIAL HAZARD**

**Improperly operating in reverse.**

### **WHAT CAN HAPPEN**

**You could hit an obstacle or person behind you, resulting in serious injury.**

### **HOW TO AVOID THE HAZARD**

**When you select reverse gear, make sure there are no obstacles or people behind you. When it is safe to proceed, go slowly.**

## **⚠ WARNING**

### **POTENTIAL HAZARD**

**Applying only the rear brake abruptly when operating in reverse gear.**

### **WHAT CAN HAPPEN**

**The front wheels could lift off the ground and the ATV could overturn backwards.**

### **HOW TO AVOID THE HAZARD**

**Carefully apply both the front and rear brakes when stopping in reverse gear.**

## **MAKING TURNS**

To make a turn on level ground, steer the handlebars and lean your body toward the inside of the turn. (Fig 3-11) Leaning helps balance the vehicle, and it feels more comfortable. Leaning into a turn is an important technique to master in riding a FOURTRAX.

To make a sharp turn at low speed, it helps to shift your body slightly forward on the seat (Fig3-11), and lean inside, as you steer the handlebars. Shifting weight forward allows the rear wheels to turn easier, and it also improves front-wheel steering. Remember to shift your body forward to make sharp low-speed turns and whenever you turn while accelerating from a full stop.

Apply the throttle slowly and gradually when you turn and start up at the same time. During other turns, use the throttle to maintain the desired speed throughout the turn. Practice these techniques on level ground until you are confident in making turns.

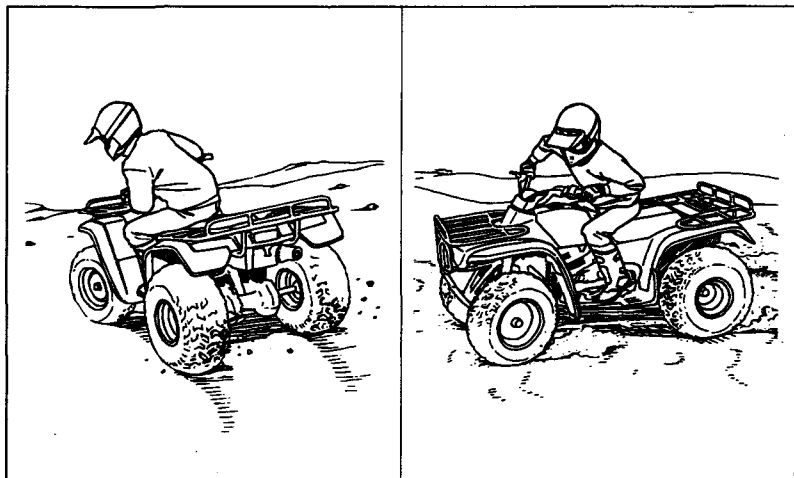


Fig. 3-11 Lean your body to the inside of a turn and forward.

## **⚠ WARNING**

### **POTENTIAL HAZARD**

**Turning improperly.**

### **WHAT CAN HAPPEN**

**The ATV can go out of control, causing a collision or overturn.**

### **HOW TO AVOID THE HAZARD**

**Always follow proper procedures for turning as described in this Owner's Manual.**

**Practice turning at low speeds before attempting to turn at faster speeds.**

**Do not turn at excessive speeds.**

The terrain surface can be a major factor affecting turns. Skidding during a turn is more likely to occur on slippery surfaces, such as snow, ice, mud and loose gravel. If you skid on ice, you may lose all directional control. To avoid skidding on slippery terrain, keep your speed low and ride with caution.

If your FOURTRAX skids sideways during a turn, steer in the direction of the skid. Avoid hard braking or accelerating until you have regained directional control.

## **⚠ WARNING**

### **POTENTIAL HAZARD**

**Skidding or sliding improperly.**

### **WHAT CAN HAPPEN**

**You may lose control of this ATV.**

**You may also regain traction unexpectedly, which may cause the ATV to overturn.**

### **HOW TO AVOID THE HAZARD**

**Learn to safely control skidding by practicing at low speeds and on level, smooth terrain.**

**On extremely slippery surfaces, such as ice, go slowly and be very cautious in order to reduce the chance of skidding or sliding out of control.**

## **RIDING UP HILLS**

The FOURTRAX's ability to safely climb hills largely depends on the rider's skill and judgment. Begin by practicing on smooth, gentle slopes. As you gain experience, you'll learn the hazards and your own limitations. You may then proceed to ride on more difficult terrain. However, you must be able to decide which hills or hazards might cause the FOURTRAX to overturn. Avoid excessively steep hills.

### **▲ WARNING**

#### **POTENTIAL HAZARD**

**Operating on excessively steep hills.**

#### **WHAT CAN HAPPEN**

**The vehicle can overturn more easily on extremely steep hills than on level surfaces or small hills.**

#### **HOW TO AVOID THE HAZARD**

**Never operate the ATV on hills too steep for the ATV or for your abilities.**

**Practice on smaller hills before attempting larger hills.**

When climbing hills, you must shift weight toward the front wheels to help keep them on the ground. To do this, shift your body slightly forward on the seat and lean forward. For greater weight shift, move your body farther forward and lean forward.

To climb a hill, take a running start in an appropriate gear and speed for the conditions. Maintain a steady speed as you ascend the hill.

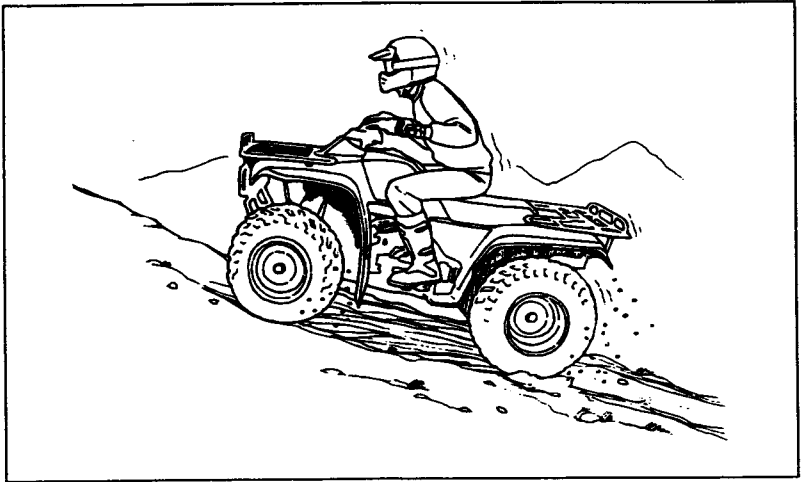


Fig. 3-12

Shift weight forward when climbing hills.

## **⚠ WARNING**

### **POTENTIAL HAZARD**

**Climbing hills improperly.**

### **WHAT CAN HAPPEN**

**Could cause loss of control or cause the ATV to overturn.**

### **HOW TO AVOID THE HAZARD**

**Always follow proper procedures for climbing hills as described in this Owner's Manual.**

**Always check the terrain carefully before you start up any hill.**

**Never climb hills with excessively slippery or loose surfaces.**

**Shift your weight forward.**

**Never open the throttle suddenly or make sudden gear changes. The ATV could flip over backward.**

**Never go over the top of any hill at high speed. An obstacle, a sharp drop, or another vehicle or person could be on the other side of the hill.**

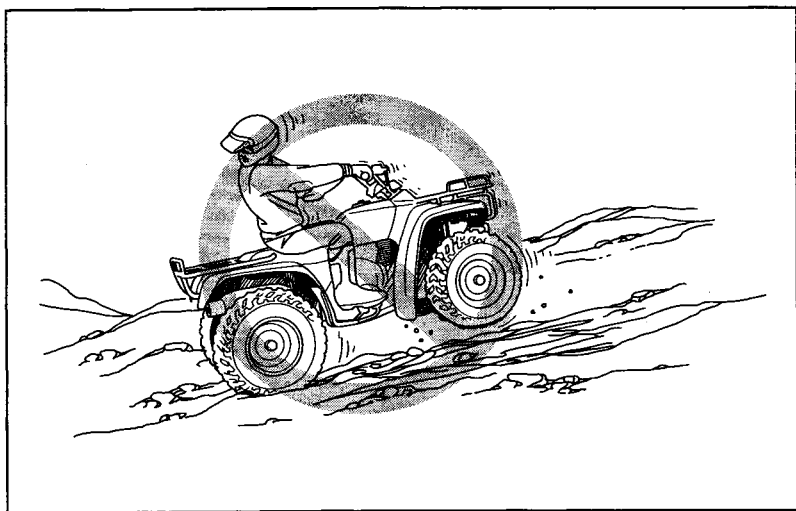
If you incorrectly estimate climbing capability or terrain conditions, the FOURTRAX may not have enough power or traction to continue uphill.

If you are about to lose all forward speed:

1. Using the front and rear brakes together, bring the FOURTRAX to a stop with the vehicle pointed straight uphill.

2. Get off the FOURTRAX while you continue holding the brakes.
3. Shift into neutral, set the parking brake and turn the engine off.
4. Then assess the situation.

If the FOURTRAX starts rolling backwards before you begin braking, keep your weight uphill, apply the front brakes first, then carefully apply the rear brake as well. Do not apply the rear brake only or abruptly if you are rolling backwards, or the vehicle may overturn. If the FOURTRAX continues sliding backwards after you've applied the brakes, get off and away from the vehicle.



**Fig. 3-13** If you roll backwards down a hill, don't apply the rear brake abruptly.

## **⚠ WARNING**

### **POTENTIAL HAZARD**

Stalling, rolling backwards or improperly dismounting while climbing a hill.

### **WHAT CAN HAPPEN**

Could result in ATV overturning.

### **HOW TO AVOID THE HAZARD**

Use proper gear and maintain steady speed when climbing a hill.

#### **If you lose all forward speed:**

**Keep weight uphill.**

**Apply the brakes.**

**Lock parking brake, after you are stopped.**

#### **If you begin rolling backwards:**

**Keep weight uphill.**

**Never apply the rear brake abruptly while rolling backwards.**

**Apply the front brake.**

**When fully stopped, apply rear brake as well, and then lock parking brake.**

**Dismount on the uphill side if the vehicle is not pointed straight uphill.**

**Back the vehicle down the hill, following the instructions in this Owner's Manual.**

If the hill is not too steep and you have good footing, you may be able to walk the FOURTRAX back down the hill. Make sure your intended path is clear in case you lose control of the FOURTRAX.

If you decide you can walk the FOURTRAX safely:

1. Stand with your body facing downhill, beside the vehicle so you can reach the rear brake lever with your right hand (See Figure 3-14.)
2. Be sure your legs are clear of the wheels.
3. Check your footing.
4. Then slowly and carefully back the FOURTRAX down the hill using the rear brake lever to control speed.
5. If you lose control of the FOURTRAX, for your safety, get away from the vehicle.

If the hill is too steep or too slippery, or if you have any doubt whether you can safely walk the FOURTRAX back down the hill, leave the vehicle where it is and get help. If possible, block the wheels so the vehicle won't roll backwards.

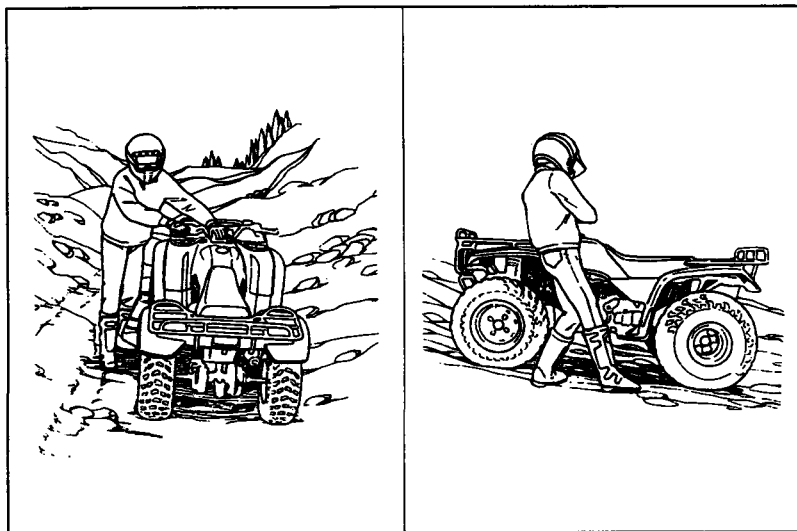


Fig. 3-14 Be sure your legs are clear of the wheels.

Body position for backing down a hill.

While reading this manual, remember:

**▲WARNING** Indicates a strong possibility that serious injury or death may result if instructions are not followed.

## RIDING DOWN HILLS

It's usually advisable to descend hills with the FOURTRAX pointed straight downhill. Avoid angles that would cause the vehicle to lean sharply to one side.

As you approach a downhill, stop and survey the terrain below. Never ride past the limit of your visibility.

When you've selected a safe downhill path, shift into a low gear, shift your weight back with your arms extended and braced against the handlebars, then go down slowly with the throttle closed.

Use mainly the rear brake to control speed. Avoid using the front brake hard or abruptly when riding down hills.

Remember, braking effectiveness is reduced on any hill with a loose surface.

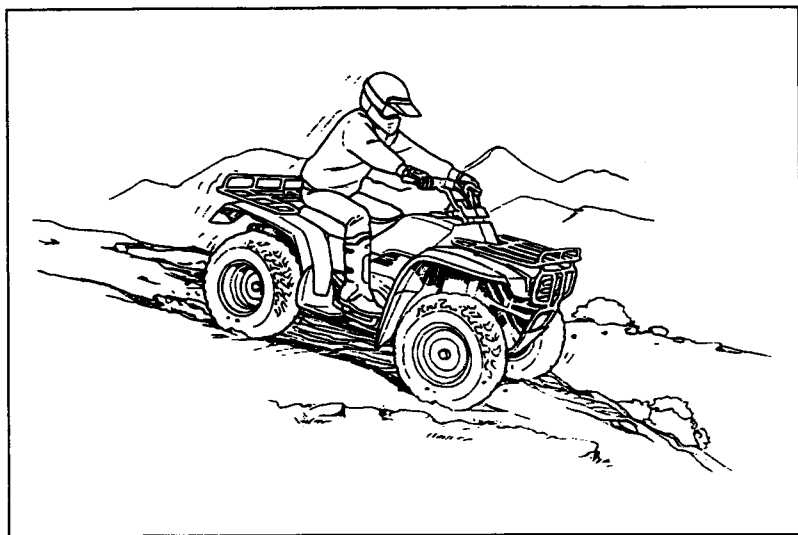


Fig. 3-15

On downhills, shift your weight back.

## **⚠ WARNING**

### **POTENTIAL HAZARD**

**Going down a hill improperly.**

### **WHAT CAN HAPPEN**

**Could cause loss of control or cause ATV to overturn.**

### **HOW TO AVOID THE HAZARD**

**Always follow proper procedures for going down hills as described in this Owner's Manual.**

**Note: a special technique is required when braking as you go down a hill.**

**Always check the terrain carefully before you start down any hill.**

**Shift your weight backward.**

**Never go down a hill at high speed.**

**Avoid going down a hill at an angle that would cause the vehicle to lean sharply to one side. Go straight down the hill where possible.**

## CROSSING SLOPES

To maintain balance and stability when riding across a slope, you need to shift weight toward the uphill side of the vehicle. To do this, move your body off the center of the seat and lean toward the uphill side. On a slippery or loose surface, you may also need to steer slightly uphill to maintain a straight course across the slope. Avoid crossing hills that are excessively steep, slippery or rough.

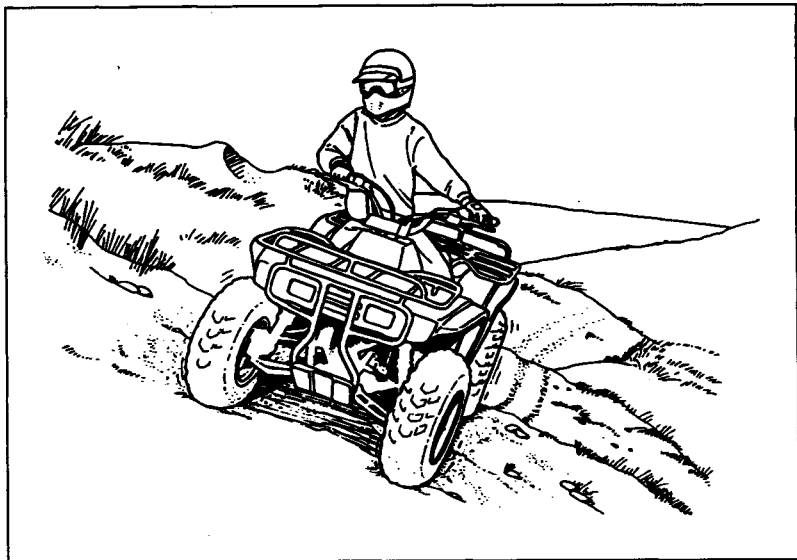


Fig. 3-16

Shift weight uphill when crossing slopes.

## **MAKING TURNS ON SLOPES**

Compared to riding on level ground, you may need to shift more weight and lean more when making turns on slopes. Do not make turns on any slopes until you have first mastered the techniques for making turns on level terrain.

Begin by practicing turning on gentle, smooth slopes before attempting turns on steeper or more difficult terrain. Avoid making turns on very steep, rough or slippery hills.

### **⚠ WARNING**

#### **POTENTIAL HAZARD**

**Improperly crossing hills or turning on hills.**

#### **WHAT CAN HAPPEN**

**Could cause loss of control or cause ATV to overturn.**

#### **HOW TO AVOID THE HAZARD**

**Never attempt to turn the ATV around on any hill until you have mastered the turning technique as described in this Owner's Manual on level ground.**

**Be very careful when turning on any hill.**

**Avoid crossing the side of a steep hill if possible.**

#### **When crossing the side of a hill:**

**Always follow proper procedures as described in this Owner's Manual.**

**Avoid hills with excessively slippery or loose surfaces.**

**Shift your weight to the uphill side of the ATV.**

## **RIDING OVER OBSTACLES**

Watch out for bumps, rain ruts, potholes and other obstacles in the terrain. When you approach any obstacle, reduce your speed and be prepared to stop.

Never try to ride over large obstacles, such as large rocks or fallen logs.

### **⚠ WARNING**

#### **POTENTIAL HAZARD**

**Improperly operating over obstacles.**

#### **WHAT CAN HAPPEN**

**Could cause loss of control or a collision. Could cause the ATV to overturn.**

#### **HOW TO AVOID THE HAZARD**

**Before operating in a new area, check for obstacles.**

**Never attempt to ride over large obstacles, such as large rocks or fallen trees.**

**When you go over obstacles, always follow proper procedures as described in this Owner's Manual.**

## RIDING THROUGH WATER

Your FOURTRAX is designed to travel through water up to approximately 10 inches deep. Before crossing a stream, make sure the water is not too deep or flowing too fast.

Choose a path where both banks have gradual slopes, then proceed through the water at a slow, steady speed. Watch out for submerged obstacles and slippery rocks. Avoid getting the spark plug or air cleaner wet, as this would cause the engine to stop.

Riding through water can make the brakes less effective than normal. After leaving water, always test both the front and rear brakes. If necessary, apply the brakes repeatedly until they dry out and operate normally. If the brakes don't regain effectiveness, stop your FOURTRAX and follow the procedures on page 124.

### **⚠ WARNING**

#### **POTENTIAL HAZARD**

**Operating this ATV through deep or fast flowing water.**

#### **WHAT CAN HAPPEN**

**Tires may float, causing loss of traction and loss of control, which could lead to an accident.**

#### **HOW TO AVOID THE HAZARD**

**Never operate this ATV in fast flowing water or in water deeper than that specified in this Owner's Manual.**

**Remember that wet brakes may have reduced stopping ability. Test your brakes after leaving water. If necessary, apply them several times to let friction dry out the linings.**

## **PARKING**

Always choose a level place to park. After bringing your FOURTRAX to a stop, hold the brakes while you shift into neutral. Then set the parking brake and turn the ignition switch OFF. If you're through riding for the day, also turn the fuel valve OFF.

While reading this manual, remember:

### **⚠ WARNING**

Indicates a strong possibility that serious injury or death may result if instructions are not followed.

## MAINTENANCE AND REPAIRS

### MAINTENANCE SCHEDULE

		SERVICE PERIOD		Refer to page
		INITIAL (First week of operation or 30 operating hours) (NOTE 1)	REGULAR (Every 30 operating days or 100 operating hours) (NOTE 1)	
I: Inspect and Clean, Adjust, Lubricate or Replace if necessary. C: Clean    R: Replace A: Adjust    L: Lubricate				
	EVERY			
*	FUEL LINE	YEAR 1		—
*	FUEL STRAINER SCREEN	YEAR C		90, 91
*	THROTTLE OPERATION		I	92
*	CARBURETOR CHOKE		I	97
	AIR CLEANER	(NOTE 2)	C	93–95
	AIR CLEANER CASE DRAIN TUBE	(NOTE 3)	I	96
	SPARK PLUG		I	106, 107
*	VALVE CLEARANCE		I	107
	ENGINE OIL		R	28, 100, 101
	ENGINE OIL FILTER		R	102–104
*	ENGINE IDLE SPEED		I	97, 98
	REAR FINAL GEAR CASE OIL	YEAR 1, 2 YEARS R		105
*	BRAKE FLUID	(NOTE 4)	I	118, 119

		EVERY	SERVICE PERIOD		Refer to page
			INITIAL (First week of operation or 30 operating hours) (NOTE 1)	REGULAR (Every 30 operating days or 100 operating hours) (NOTE 1)	
I: Inspect and Clean, Adjust, Lubricate or Replace if necessary. C: Clean R: Replace A: Adjust L: Lubricate					
*	BRAKE SHOE WEAR	YEAR I (NOTE 3)			115–117 120–123
	BRAKE SYSTEM		I	I	25, 115–124
*	REVERSE LOCK SYSTEM		I	I	109
	SKID PLATES			I	131
*	CLUTCH SYSTEM		I	I	108
*	SUSPENSION			I	—
*	SPARK ARRESTER			C	132, 133
*	NUTS, BOLTS, FASTENERS		I	I	—
**	WHEELS/TIRES		I	I	125–129
**	STEERING SHAFT HOLDER BEARINGS	YEAR I			—
**	STEERING SYSTEM	YEAR I			—

\* SHOULD BE SERVICED BY YOUR AUTHORIZED HONDA DEALER, UNLESS THE OWNER HAS PROPER TOOLS AND SERVICE DATA AND IS MECHANICALLY QUALIFIED. REFER TO THE OFFICIAL HONDA SERVICE MANUAL.

\*\* IN THE INTEREST OF SAFETY, WE RECOMMEND THESE ITEMS BE SERVICED ONLY BY YOUR AUTHORIZED HONDA DEALER.

- NOTES:
1. Whichever comes first.
  2. Service more frequently when riding in dusty areas, sand or snow.
  3. Service more frequently after riding in very wet or muddy conditions.
  4. Replace every 2 years. Replacement requires mechanical skill.

## MAINTENANCE PRECAUTIONS

Before beginning any maintenance or repairs, read the appropriate instructions and warnings and make sure you have all the tools and materials you will need.

Choose a clean area that is level and has good ventilation and good light. Make sure the engine is off unless otherwise instructed. If you need to replace any parts, remember to use only new genuine Honda parts or their equivalents.

## **⚠ WARNING**

### **POTENTIAL HAZARD**

**Failure to properly maintain the ATV.**

### **WHAT CAN HAPPEN**

**Increases the possibility of an accident or equipment damage.**

### **HOW TO AVOID THE HAZARD**

**Always follow the inspection and maintenance procedures and schedules described in this Owner's Manual.**

**Use only genuine Honda replacement parts or parts of equivalent quality.**

## **⚠ WARNING**

### **POTENTIAL HAZARD**

**Performing maintenance operations with the engine running.**

### **WHAT CAN HAPPEN**

**Increases the chances of injury from moving parts or hot surfaces.**

### **HOW TO AVOID THE HAZARD**

**Unless otherwise stated, always turn the engine off before performing any maintenance operations.**

## TOOL KIT

A tool kit (Fig. 4-1) is provided with your FOURTRAX and stored in the storage compartment behind the seat.

The tools in the kit are sufficient to perform routine maintenance and simple repairs. Any extensive work requiring additional tools should be performed by your authorized Honda dealer.

The tool kit includes the following items:

- Standard/Phillips screwdriver
- Screwdriver handle
- 10 × 12 mm open end wrench
- 14 × 17 mm open end wrench
- Spark plug wrench and handlebar
- Pliers
- Tool case

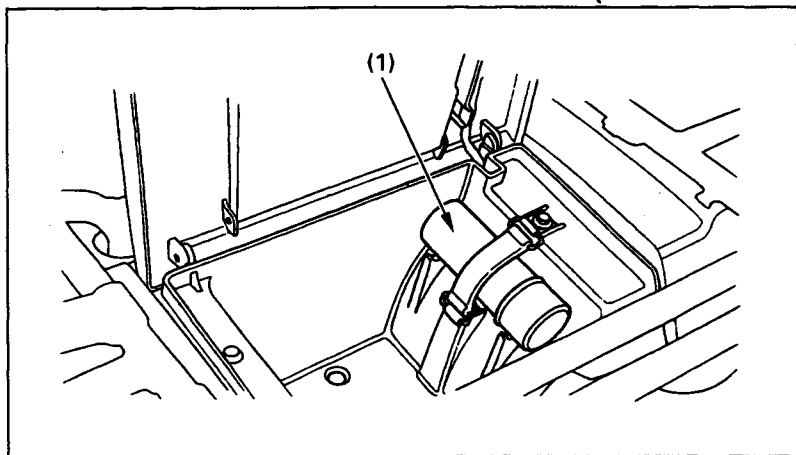


Fig. 4-1

(1) Tool kit

While reading this manual, remember:

**⚠ WARNING** Indicates a strong possibility that serious injury or death may result if instructions are not followed.

# FUEL SYSTEM

## FUEL

### Refueling

The fuel tank capacity, including reserve, is:

12.5 ℓ (3.30 US gal , 2.75 Imp gal)

The reserve fuel supply is:

2.5 ℓ (0.66 US gal , 0.55 Imp gal)

To refuel, remove the fuel fill cap (Fig. 4-2) by twisting it counterclockwise.

Do not overfill (make sure there is no fuel in the filler neck (4)).

After refueling, be sure to tighten the fuel cap firmly by turning it clockwise. Align the arrow (2) on the fuel tank cap with the reference mark (3) on the fuel tank.

Insert the breather tube into the handle cover hole.

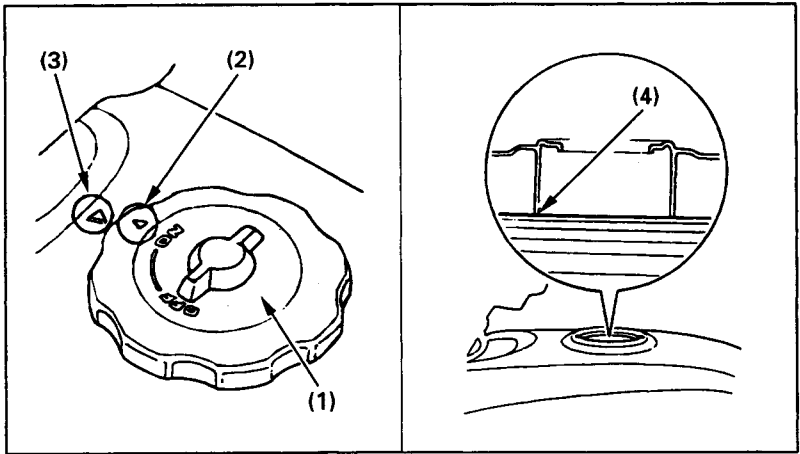


Fig. 4-2 (1) Fuel fill cap  
(2) Reference mark

(3) Arrow  
(4) Filler neck

## **⚠ WARNING**

### **POTENTIAL HAZARD**

Refueling this ATV or handling fuel improperly.

### **WHAT CAN HAPPEN**

The fuel could explode or ignite.

### **HOW TO AVOID THE HAZARD**

Always refuel this ATV and handle fuel in a well-ventilated area with the engine off. Do not smoke or allow flames or sparks in the area where fuel is handled.

Do not overfill the tank. Be careful not to spill fuel when refueling. After refueling, make sure the fuel fill cap is closed properly and securely.

If any fuel is spilled, make sure the area is dry before starting the engine.

## **⚠ WARNING**

### **POTENTIAL HAZARD**

Prolonged contact of fuel with the skin.  
Breathing fuel vapor.

### **WHAT CAN HAPPEN**

The fuel can cause skin irritation.  
Fuel vapor could cause lung damage.

### **HOW TO AVOID THE HAZARD**

Avoid repeated or prolonged contact of fuel with the skin or breathing of fuel vapor.

**KEEP OUT OF REACH OF CHILDREN.**

### **Fuel Recommendations**

Your engine is designed to use any gasoline that has a pump octane number of 86 or higher. (Gasoline pumps at service stations normally display the pump octane number.)

We recommend unleaded fuel because it produces fewer engine and spark plug deposits and extends the life of the exhaust system. Never use stale or contaminated gasoline or an oil/gasoline mixture. Avoid getting dirt, dust or water in the fuel tank.

Using a lower octane than recommended can cause persistent "pinging" or heavy "spark knock" (a metallic rapping noise). If severe, these can lead to engine damage.

#### **CAUTION:**

**If "spark knock" or "pinging" occurs at a steady engine speed under normal load, change brands of gasoline. If spark knock or pinging persists, consult your authorized Honda dealer. Failure to do so is considered misuse, and damage caused by misuse is not covered by Honda's Limited Warranty.**

## **Oxygenated Fuels**

Some conventional gasolines are being blended with alcohol or an ether compound. These gasolines are collectively referred to as oxygenated fuels. To meet clean air standards, some areas of the United States and Canada use oxygenated fuels to help reduce emissions.

If you use an oxygenated fuel, be sure it is unleaded and meets the minimum octane rating requirement.

Before using an oxygenated fuel, try to confirm the fuel's contents. Some states/provinces require this information to be posted on the pump.

The following are the EPA approved percentages of oxygenates:

**ETHANOL (ethyl or grain alcohol) 10% by Volume**

You may use gasoline containing up to 10% ethanol by volume. Gasoline containing ethanol may be marketed under the name "Gasohol".

**MTBE (Methyl Tertiary Butyl Ether) 15% by Volume**

You may use gasoline containing up to 15% MTBE by volume.

**METHANOL (methyl or wood alcohol) 5% by Volume**

You may use gasoline containing up to 5% methanol by volume as long as it also contains cosolvents and corrosion inhibitors to protect the fuel system. Gasoline containing more than 5% methanol by volume may cause starting and/or performance problems. It may also damage metal, rubber, and plastic parts of your fuel system.

If you notice any undesirable operating symptoms, try another service station or switch to another brand of gasoline.

Fuel system damage or performance problems resulting from the use of an oxygenated fuel containing more than the percentages of oxygenates mentioned above are not covered under warranty.

## FUEL STRAINER SCREEN

The fuel strainer (Fig. 4-3) is in the fuel valve. The strainer has a fine mesh screen (2) which prevents dirt from entering the carburetor passages. Dirt which accumulates in the screen must be removed periodically, or the fuel flow will eventually be restricted.

To clean the fuel strainer screen:

1. Turn the fuel valve OFF.
2. Remove the fuel strainer cup (1) and the O-ring.
3. Remove the strainer screen (2).
4. Wash the screen in nonflammable or high flash point solvent.

### WARNING

#### POTENTIAL HAZARD

Using gasoline or low flash point solvents for cleaning ATV parts.

#### WHAT CAN HAPPEN

A fire or explosion could result.

#### HOW TO AVOID THE HAZARD

Use only a nonflammable or high flash point solvent to clean ATV parts.

5. Reassemble by reversing the disassembly sequence.
6. Check to be sure the O-ring is in place.
7. Turn the fuel valve and fuel cap vent lever ON, and check for leaks.  
Correct if necessary.

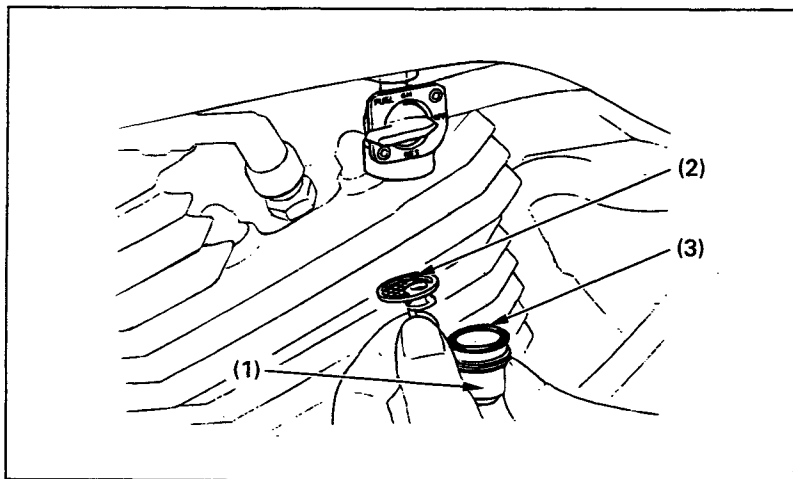


Fig. 4-3      (1) Fuel strainer cup      (3) O-ring  
                  (2) Strainer screen

While reading this manual, remember:

**▲WARNING** Indicates a strong possibility that serious injury or death may result if instructions are not followed.

## THROTTLE

### Throttle Cable and Lever

Check the condition of the throttle cable and the operation of the throttle lever. Make sure the cable does not bind or interfere with smooth operation of the throttle in any steering position. If the cable is worn or kinked, have it replaced by your Honda dealer.

### Throttle Free Play

Throttle free play, measured at the tip of the throttle lever (Fig. 4-4), should be:

3–8 mm (0.1–0.3 in)

#### To adjust throttle free play:

1. Slide the rubber sleeve (1) back to expose the throttle cable adjuster (2).
2. Loosen the lock nut (3), then turn the adjuster to obtain the correct free play.
3. Tighten the lock nut and reinstall the sleeve.

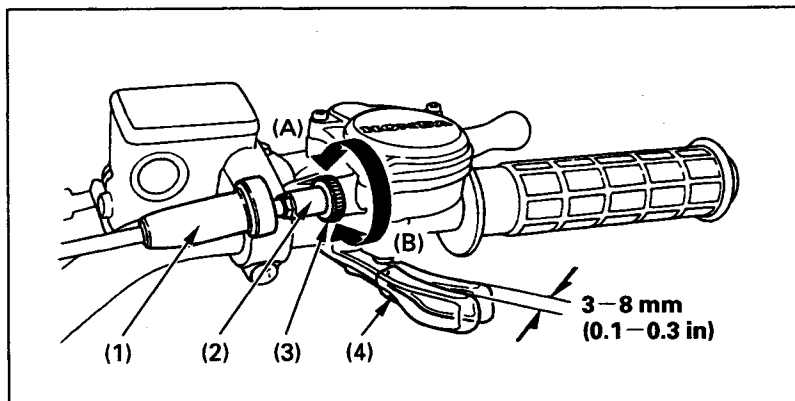


Fig. 4-4

(1) Rubber sleeve  
(2) Cable adjuster  
(3) Lock nut

(4) Throttle lever  
(A) To decrease free play  
(B) To increase free play

### Other Checks

Check the throttle cable for kinks and signs of wear that could cause stretching or failure. Lubricate the throttle cable with a commercially available lubricant to prevent premature wear and corrosion.

## AIR CLEANER

### Air Cleaner Filter

The air cleaner accumulates dust and must be cleaned periodically. If the FOURTRAX is ridden in dusty areas, the air cleaner must be cleaned at more frequent intervals than specified in the Maintenance Schedule.

If the FOURTRAX is submerged in water, the air cleaner should be checked and water should be drained from the case before starting the engine.

#### To clean the air cleaner filter:

1. Remove the seat by pulling up the seat lock lever (Fig. 4-5).
2. Unlatch the four retainer clips (2) and remove the air cleaner housing cover (3).

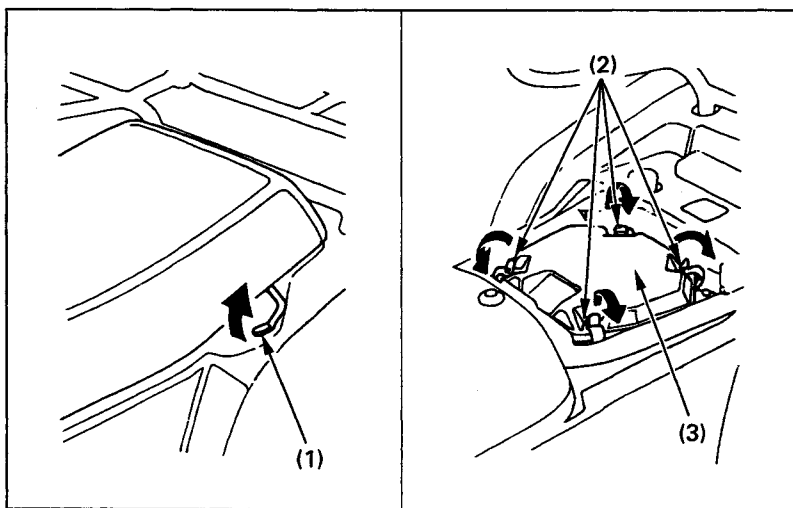


Fig. 4-5 (1) Seat lock lever  
(2) Retainer clips

(3) Air cleaner housing  
cover

3. Remove the screws (2) (Fig. 4-6) and remove the air cleaner assembly (1) from the case.
4. Unscrew the clamp (3) and remove the mounting bracket (4).
5. Remove the air cleaner (5) from the air cleaner body (6).

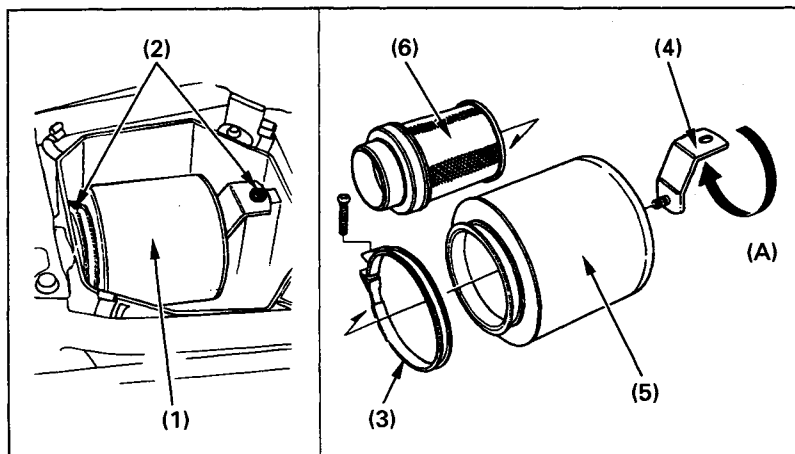


Fig. 4-6 (1) Air cleaner assembly  
 (2) Screws  
 (3) Clamp  
 (4) Mounting bracket

(5) Air cleaner  
 (6) Air cleaner body  
 (A) To release

6. Wash the air cleaner in nonflammable or high flash point solvent and allow it to dry thoroughly.

## **⚠ WARNING**

### **POTENTIAL HAZARD**

**Using gasoline or low flash point solvents for cleaning ATV parts.**

### **WHAT CAN HAPPEN**

**A fire or explosion could result.**

### **HOW TO AVOID THE HAZARD**

**Use only a nonflammable or high flash point solvent to clean ATV parts.**

7. Soak the air cleaner in Pro Honda Foam Filter Oil or an equivalent until saturated, then squeeze out the excess oil.

### **CAUTION:**

**Twisting the air cleaner when squeezing out excess oil could damage the air cleaner.**

8. Reassemble by reversing the disassembly sequence.

### Air Cleaner Case Drain Tube

The air cleaner case drain tube (Fig. 4-7) should be serviced in accordance with the Maintenance Schedule (Riding through water may require more frequent inspection.) If deposits can be seen in the drain tube, the tube must be cleaned before starting the vehicle.

#### To clean the drain tube:

1. Remove the drain tube (1) by removing the clip (2).
2. Drain the deposits.
3. Reinstall the drain tube, securing it with the clip.

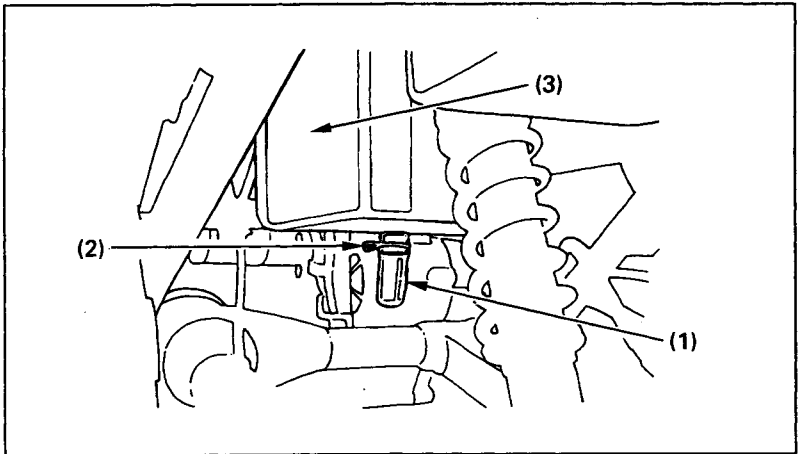


Fig. 4-7 (1) Drain tube  
(2) Clip

(3) Air cleaner case

## Carburetor

### Choke Cable and Lever

Check the condition of the choke cable (Fig. 4-8) and the operation of the choke lever (2). If the cable is damaged or kinked, have it replaced by your Honda dealer.

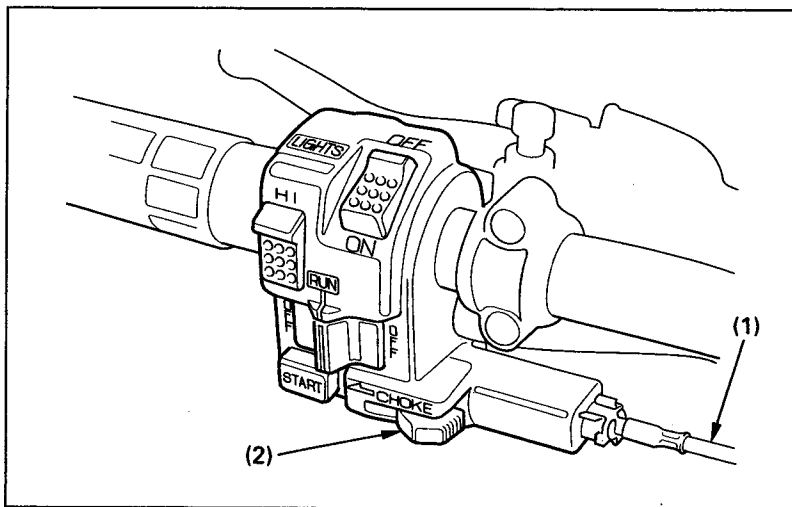


Fig. 4-8 (1) Choke cable

(2) Choke lever

### Adjusting Idle Speed and Air-Fuel Mixture

#### NOTE:

Do not try to compensate for faults in other systems by adjusting the carburetor.

#### To adjust the idle speed:

1. Warm up the engine. The engine must be warm for accurate idle adjustment. Ten minutes of stop-and-go riding is sufficient.
2. Adjust idle speed and turning the throttle stop screw (Fig. 4-9).

Idle Speed:

1,400 ± 100 rpm

To adjust the air-fuel mixture:

1. Turn the pilot screw (2) clockwise until you hear the engine miss or decrease in speed.
2. Then turn the screw counterclockwise until the engine misses or decreases in speed again.
3. Center the pilot screw exactly between the two extreme positions. Usually, the correct setting (between extremes of rich and lean) will be found at 2-1/4 turns open from a fully closed position.
4. If idle speed changes after adjusting the fuel mixture, readjust the throttle stop screw.

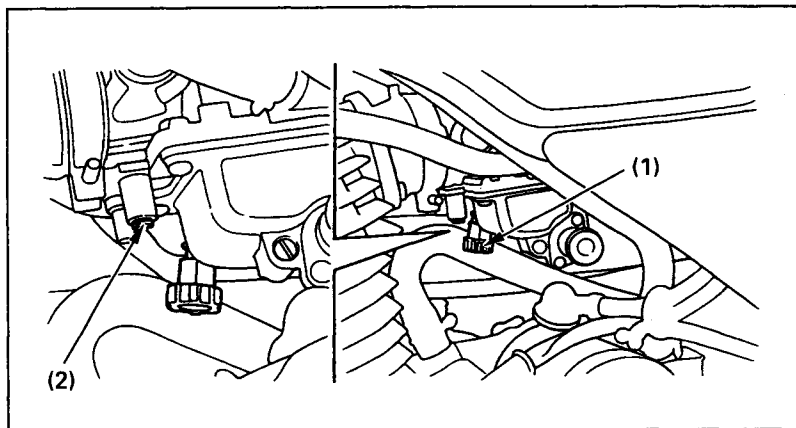


Fig. 4-9

(1) Throttle stop screw

(2) Pilot screw