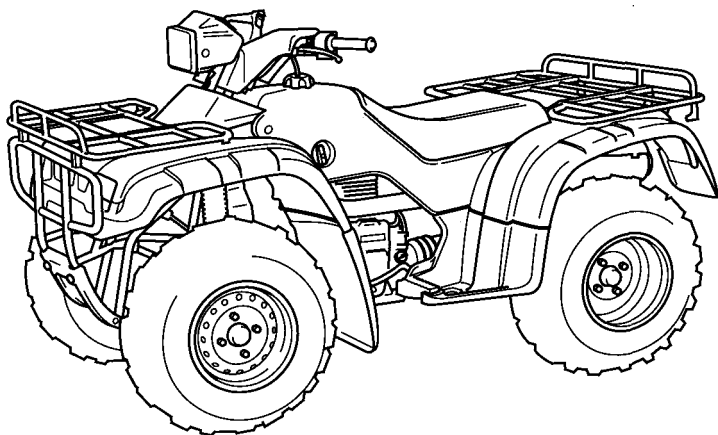


TRX 400FW

**HONDA FOURTRAX FOREMAN 400
OWNER'S MANUAL**



PREFACE

Thank you for buying a Honda FOURTRAX. Honda takes pride in a worldwide reputation for quality—in research, design, production and service. Quality is the hallmark of all Honda products and one reason why Honda is the leading manufacturer of ATVs.

Help assure your FOURTRAX's future reliability and performance by paying extra attention to how you ride during the first operating day or 25 km (15 miles). During this period, avoid full-throttle starts and rapid acceleration.

For replacement parts and accessories, we recommend genuine Honda products. They've been specially designed for your vehicle and manufactured to meet Honda's demanding standards.

This manual contains a Maintenance Schedule and information on basic maintenance procedures. If you have the required skills and tools, your Honda dealer can supply you with an Official Honda Service Manual to help you perform more advanced maintenance and repairs. When you need service, remember that your Honda dealer knows your vehicle best and is interested in your complete satisfaction.

We wish you many years of safe and enjoyable riding.

While reading this manual, remember:

WARNING

Indicates a strong possibility that serious injury or death may result if instructions are not followed.

All information in this publication is based on the latest product information available at the time of approval for printing. Honda Motor Co., Ltd. reserves the right to make changes at any time without notice and without incurring any obligation.

© Honda Motor Co., Ltd. 1997. No part of this publication may be reproduced without written permission from Honda Motor Co., Ltd.

CONTENTS

	Page
FOURTRAX SAFETY	1
Special Safety Messages	1
Warning Information.....	6
PARTS LOCATION AND OPERATION	10
Parts Location.....	10
Parts Operation.....	14
Power Controls	14
Lights.....	21
Gearshift Controls.....	25
Brake Controls.....	27
Fuel Tank Controls	28
Engine Oil	31
Additional Features	32
RIDING YOUR FOURTRAX	36
Before Riding	36
Rider Preparation	36
Vehicle Preparation	38
Safe Riding Rules.....	46
Riding	58
Starting the Engine	59
Shifting Gears	63
Riding in Reverse	64
Making Turns	66
Riding Up Hills	69
Riding Down Hills	76
Crossing Slopes	78
Making Turns on Slopes.....	79
Riding Over Obstacles.....	80
Riding Through Water	81
Parking.....	82

(cont'd)

CONTENTS

	Page
MAINTENANCE AND REPAIRS	83
Maintenance Schedule	83
Maintenance Precautions	84
Tool Kit	86
Fuel System	88
Lubrication	100
Engine	108
Clutch	110
Electrical System	112
Brakes	119
Wheels and Tires	129
Seat Removal	134
Engine Guard and Skid Plates	135
Spark Arrester	136
Driveshaft Boots	138
TRANSPORTING YOUR FOURTRAX	140
CLEANING YOUR FOURTRAX	143
STORING YOUR FOURTRAX	145
SPECIFICATIONS	148
WIRING DIAGRAM	150
SERIAL NUMBERS	151
INDEX	152

FOURTRAX SAFETY

SPECIAL SAFETY MESSAGES

AN ATV IS NOT A TOY AND CAN BE HAZARDOUS TO OPERATE.

An ATV handles differently from other vehicles including motorcycles and cars. A collision or rollover can occur quickly, even during routine maneuvers such as turning and driving on hills or over obstacles, if you fail to take proper precautions.

SEVERE INJURY OR DEATH can result if you do not follow these instructions:

- * Read this manual and all labels carefully and follow the operating procedures described.
- * Always follow this age recommendation: A child under 16 years old should never operate an ATV with engine size greater than 90 cc.
- * Never allow a child under age 16 to operate an ATV without adult supervision, and never allow continued use of an ATV by a child if he or she does not have the abilities to operate it safely.

- * Never carry a passenger on an ATV.
- * Never operate an ATV on any paved surfaces, including sidewalks, driveways, parking lots and streets.
- * Never operate an ATV on any public street, road or highway, even a dirt or gravel one.
- * Never operate an ATV without wearing an approved motorcycle helmet that fits properly. You should also wear eye protection (goggles or face shield), gloves, boots, long-sleeved shirt or jacket, and long pants.
- * Never consume alcohol or drugs before or while operating this ATV.
- * Never operate at excessive speeds. Always go at a speed that is proper for the terrain, visibility, operating conditions, and your experience.
- * Never attempt wheelies, jumps, or other stunts.
- * Always inspect your ATV each time you use it to make sure it is in safe operating condition. Always follow the inspection and maintenance procedures and schedules described in this manual.
- * Always keep both hands on the handlebars and both feet on the footpegs of the ATV during operation.

- * Always go slowly and be extra careful when operating on unfamiliar terrain. Always be alert to changing terrain conditions when operating the ATV.
- * Never operate on excessively rough, slippery or loose terrain until you have learned and practiced the skills necessary to control the ATV on such terrain. Always be especially cautious on these kinds of terrain.
- * Always follow proper procedures for turning as described in this manual. Practice turning at low speeds before attempting to turn at faster speeds. Do not turn at excessive speed.
- * Never operate the ATV on hills too steep for the ATV or for your abilities. Practice on smaller hills before attempting larger hills.
- * Always follow proper procedures for climbing hills as described in this manual. Check the terrain carefully before you start up any hill. Never climb hills with excessively slippery or loose surfaces. Shift your weight forward. Never open the throttle suddenly or make sudden gear changes. Never go over the top of any hill at high speed.
- * Always follow proper procedures for going down hills and for braking on hills as described in this manual. Check the terrain carefully before you start down any hill. Shift your weight backward. Never go down a hill at high speed. Avoid going down a hill at an angle that would cause the vehicle to lean sharply to one side. Go straight down the hill where possible.

- * Always follow proper procedures for crossing the side of a hill as described in this manual. Avoid hills with excessively slippery or loose surfaces. Shift your weight to the uphill side of the ATV. Never attempt to turn the ATV around on any hill until you have mastered the turning technique described in this manual on level ground. Avoid crossing the side of a steep hill if possible.
- * Always use proper procedures if you stall or roll backwards when climbing a hill. To avoid stalling, use the proper gear and maintain a steady speed when climbing a hill. If you stall or roll backwards, follow the special procedure for braking described in this manual. Dismount and follow the procedures provided in this manual.
- * Always check for obstacles before operating in a new area. Never attempt to operate over large obstacles, such as large rocks or fallen trees. Always follow proper procedures when operating over obstacles as described in this manual.
- * Always be careful when skidding or sliding. Learn to safely control skidding or sliding by practicing at low speeds and on level, smooth terrain. On extremely slippery surfaces, such as ice, go slowly and be very cautious in order to reduce the chance of skidding out of control.

- * Never operate an ATV in fast flowing water or in water deeper than that specified in this manual. Remember that wet brakes may have reduced stopping ability. Test your brakes after leaving water. If necessary, apply them several times to let friction dry out the linings.
- * Always be sure there are no obstacles or people behind you when you operate in reverse. When it is safe to proceed in reverse, go slowly.
- * Always use the size and type tyres specified in this manual. Always maintain proper tyre pressure as described in this manual.
- * Never modify an ATV through improper installation or use of accessories.
- * Never exceed the stated load limits for an ATV. Cargo should be properly distributed and securely attached. Reduce speed and follow instructions in this manual for carrying cargo or pulling a trailer. Allow greater distance for braking.

WARNING INFORMATION

Your FOURTRAX comes with several labels containing important safety information. Anyone who rides the vehicle should read and understand this information before riding.

The labels should be considered as permanent parts of the vehicle. If a label comes off or becomes hard to read, contact your Honda dealer for replacements.

While reading this manual, remember:

▲WARNING Indicates a strong possibility that serious injury or death may result if instructions are not followed.

⚠ WARNING

Overloading this ATV or carrying cargo improperly can change handling, stability and braking performance and can lead to an accident.

Never exceed the maximum front cargo limit of: **66lbs (30kg)**.

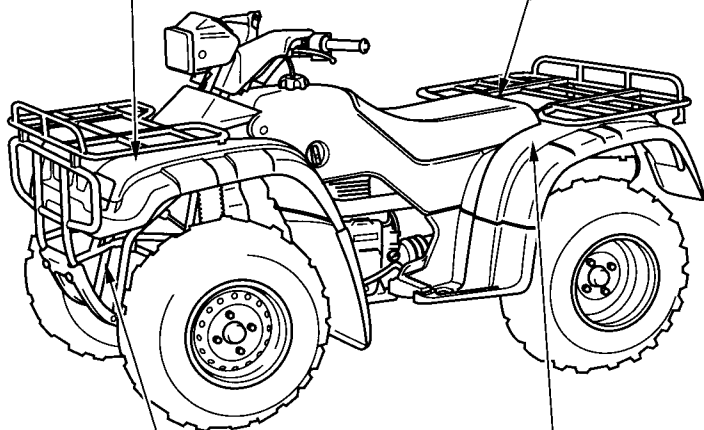
Refer to instructions in the Owner's Manual.

⚠ WARNING



NEVER ride as a passenger.

Passengers can cause a loss of control, resulting in **SEVERE INJURY or DEATH.**



⚠ WARNING

Improper tire pressure or overloading can cause loss of control.

Loss of control can result in severe injury or death.

● Cold tire pressure;

Front : 3.6±0.4 psi 0.25±0.03 kg/cm²

Rear : 3.6±0.4 psi 0.25±0.03 kg/cm²

● Maximum weight capacity ; 485 lbs.(220 kg)



TRX400FW 1997

HONDA OF AMERICA MFG., INC.

24000 HONDA PARKWAY, MARYSVILLE, OHIO 43040 U.S.A.

Nominal power 15.6kw

Dry weight 251kg

MADE IN USA

BRAKING INFORMATION

With four-wheel drive operating any brake control causes braking at both the front and rear wheels. For detailed braking information, refer to the Owner's Manual.

⚠ WARNING



Operating this ATV if you are under the age of 16 increases your chance of severe injury or death.

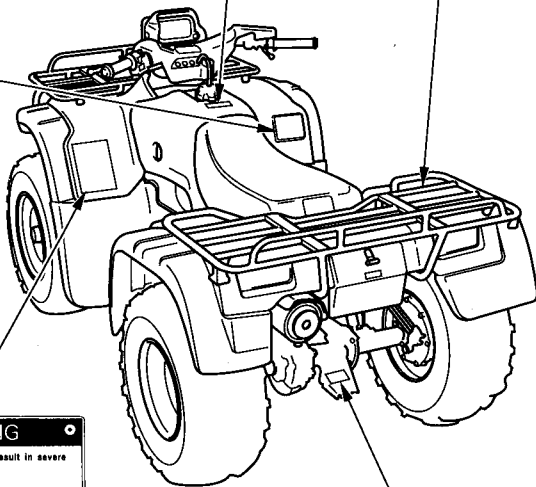
NEVER operate this ATV if you are under age 16.

⚠ WARNING

Overloading this ATV or carrying cargo improperly can change handling, stability and braking performance and can lead to an accident.

Never exceed the maximum rear cargo limit (combined weight on the rear rack and in the storage area) of: 133lbs (60kg).

Refer to instructions in the Owner's Manual.



⚠ WARNING

The improper operation of ATVs may result in severe injury or death:

- Read the owner's Manual.
- Follow all warnings and instructions.
- Never use without proper training and instruction.

While riding:

- Never ride too fast for your skills or the conditions.
- Always use proper riding techniques for hills, slopes and rough terrain.
- Use care when changing riding surfaces. ATVs handle differently on different surfaces, such as sand, dirt, or pavement.



- Never carry a passenger, since it would affect balance and steering and may cause you to lose control.



- Avoid operating on public roads, since a collision can occur with another vehicle.



- Never ride after drinking alcohol or using drugs.



- Always wear a helmet, eye protection, and protective gear.

⚠ WARNING

Towing an improperly loaded trailer can cause loss of control.

- Read owner's manual.
- Tow weight limit: 3776N (385kgf)
850lbs
- Tongue weight : 137N (14kgf)
30lbs

PARTS LOCATION AND OPERATION

PARTS LOCATION

- (1) Rear brake lever
Parking brake
- (2) Headlight switch
Engine stop switch
Headlight dimmer switch
Starter button
Choke lever
- (3) Reverse selector knob
- (4) Horn button
- (5) Reverse indicator lamp
Neutral indicator lamp
Oil high temperature indicator lamp
- (6) Fuel gauge
- (7) Ignition switch
- (8) Throttle lever
- (9) Front brake lever

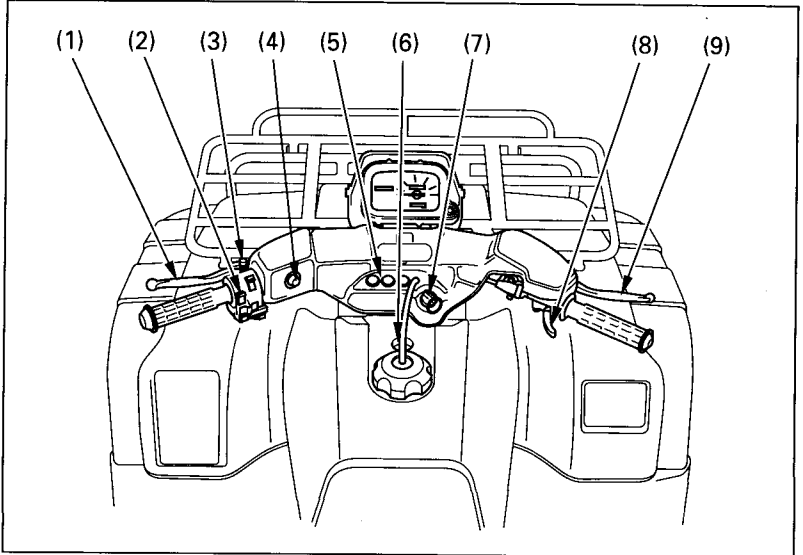


Fig. 2-1

Handlebars, from rider's point of view

- (10) Hourmeter
- (11) Hourmeter indicator
- (12) Speedometer
- (13) Odometer
- (14) Tripmeter
- (15) Tripmeter reset knob

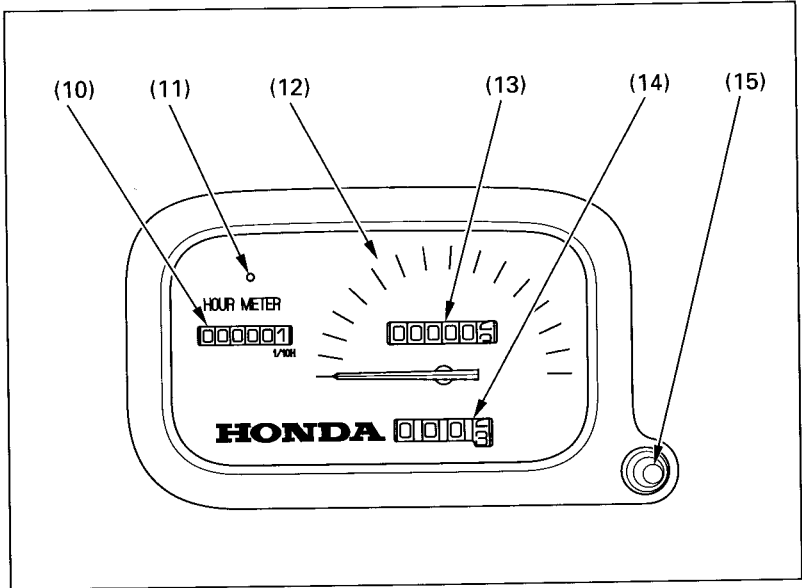


Fig. 2-2

Meters, from rider's point of view

- (16) Flag pole bracket
- (17) Rear cargo rack
- (18) Seat lock lever
- (19) Fuel fill cap
- (20) Front brake fluid reservoir
- (21) Helmet holder
- (22) Front cargo rack
- (23) Recoil starter (behind the right side cover)
- (24) Right footpeg
- (25) Rear brake pedal
- (26) Assist headlight
- (27) Headlights

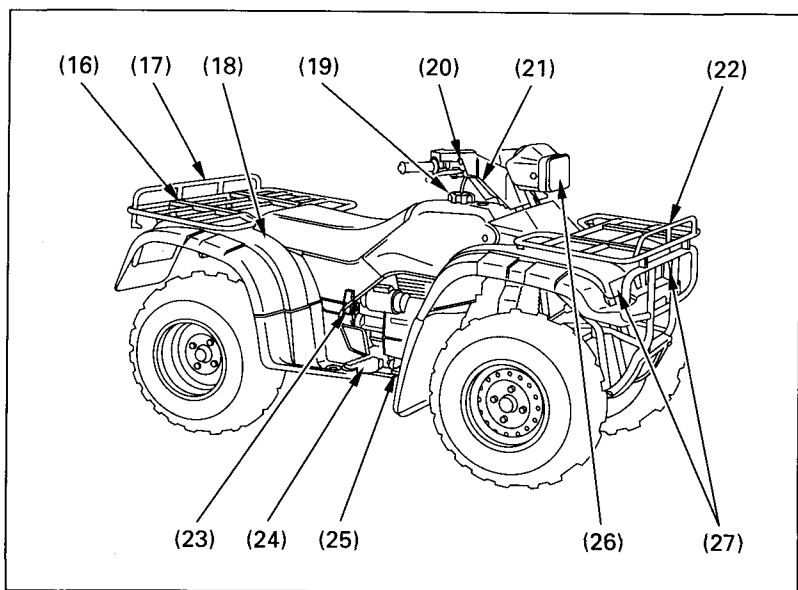


Fig. 2-3

Right side of FOURTRAX

- (28) Fuel valve
- (29) Starting primer knob
- (30) Storage compartment, containing:
 - Tool kit
 - Air pressure gauge
 - Owner's Manual
- (31) Gearshift pedal
- (32) Oil filler cap/dipstick
- (33) Left footpeg
- (34) Trailer hitch

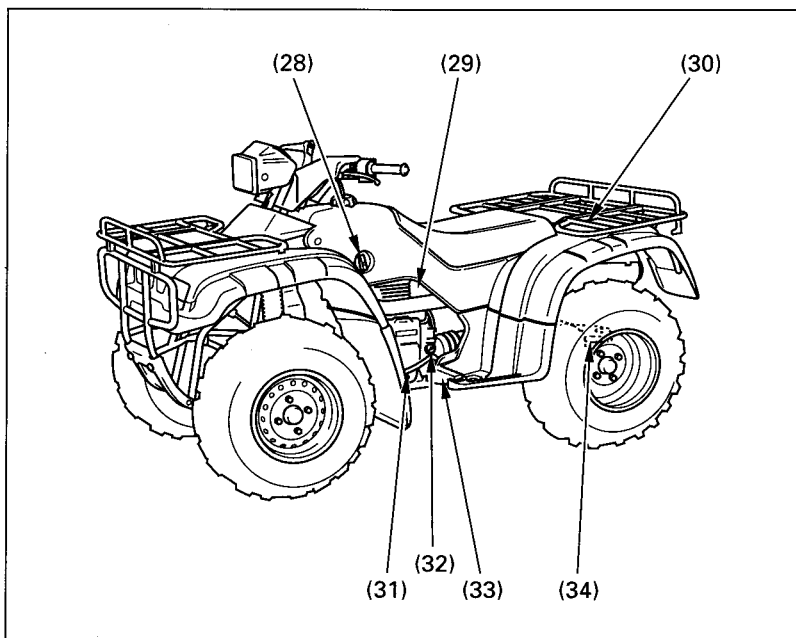


Fig. 2-4

Left side of FOURTRAX

PARTS OPERATION

POWER CONTROLS

Ignition Switch

The ignition switch (Fig. 2-5) is in the center of the handlebars directly in front of the seat.

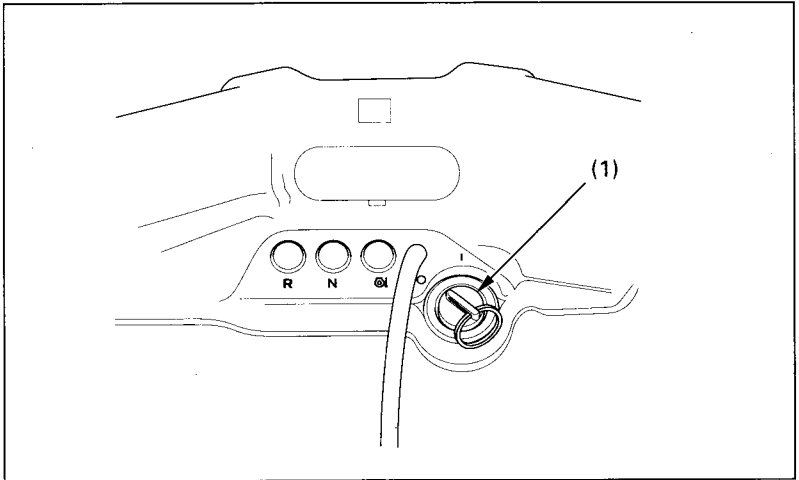


Fig. 2-5

(1) Ignition switch

Key Position	Function	Key Removal
○ (OFF)	The engine and headlight cannot be operated.	The key can be removed.
I (ON)	The headlights and assist headlight can be turned on. With the engine stop switch at RUN and the transmission in neutral, the engine can be started.	The key cannot be removed.

Engine Stop Switch

The engine stop switch (Fig. 2-6) is next to the left handgrip, and it has three positions. When the switch is in the ○ (RUN) position, the engine will operate. When the switch is in either ☒ (OFF) position, the engine will not operate.

This switch is intended primarily as a safety or emergency control, and it should normally remain in the ○ (RUN) position.

NOTE:

If you stop your FOURTRAX by turning the engine stop switch ☒ (OFF), be sure to turn the ignition switch ○ (OFF) to prevent battery discharge.

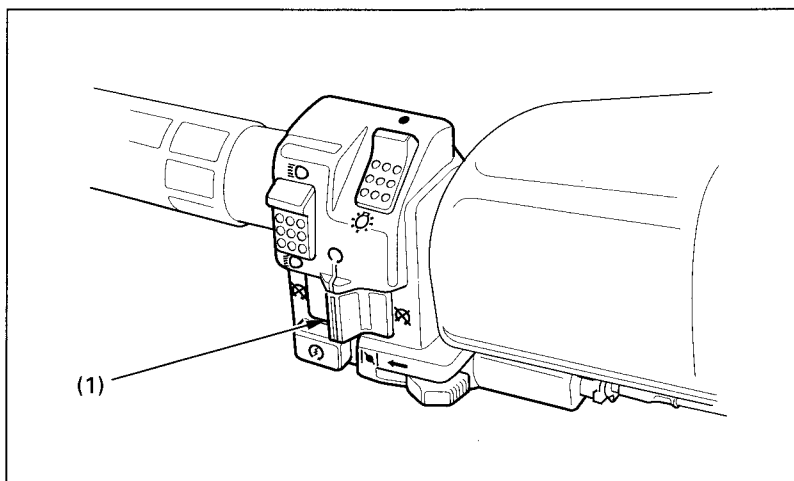


Fig. 2-6

(1) Engine stop switch

Choke Lever

The choke lever (Fig. 2-7) is next to the starter button. The choke has two positions: fully ON (A), and fully OFF (B).

To start a cold engine when air temperature is $-15-35^{\circ}\text{C}$ ($5-95^{\circ}\text{F}$), move the choke lever left to the Fully ON before pressing the starter button. After the engine is warm, move the choke right to the fully OFF position.

CAUTION:

Extended use of the choke may impair piston and cylinder wall lubrication and shorten the life of the engine.

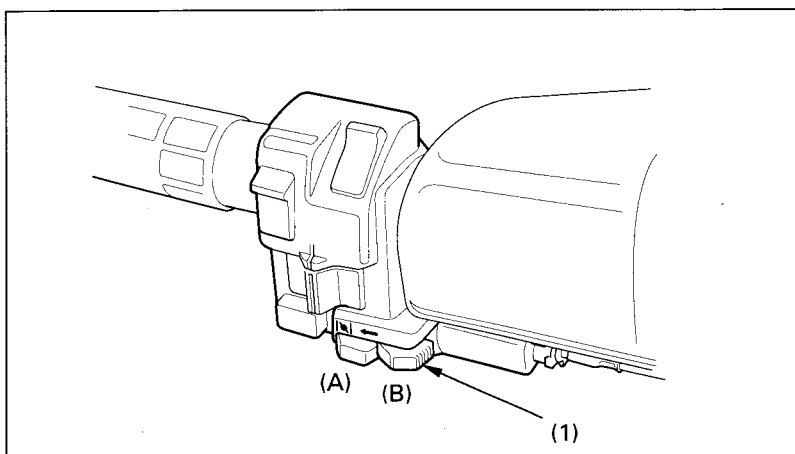


Fig. 2-7 (1) Choke lever

(A) Fully ON
(B) Fully OFF

Starter Button

The starter button (Fig. 2-8) is below the engine stop switch. To start the engine, press the starter button (1), with the transmission in neutral, the ignition switch I (ON) and the engine stop switch at O (RUN).

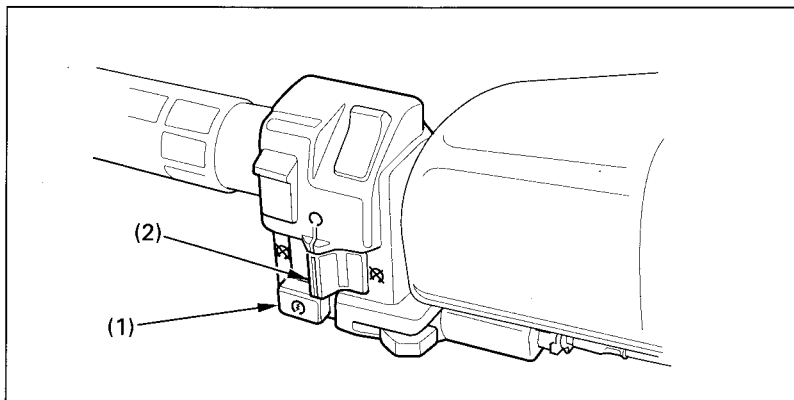


Fig. 2-8 (1) Starter button

(2) Engine stop switch

Horn button

Horn button (Fig. 2-9) is next to the headlight switch. Press the button to sound the born.

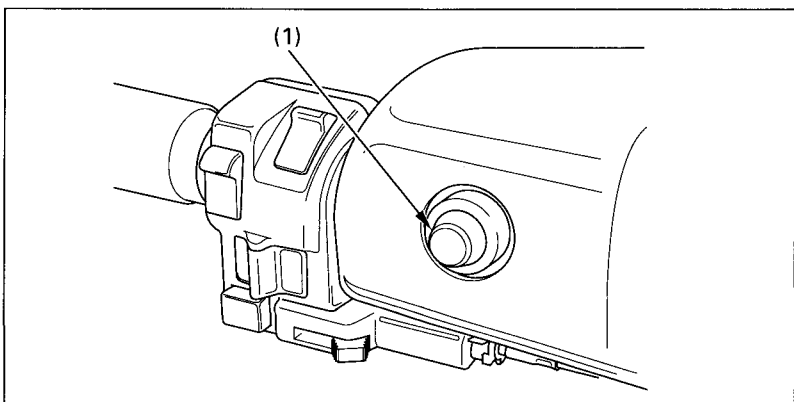


Fig. 2-9

(1) Horn button

Starting Primer Knob

The starting primer knob (Fig. 2-10) is on the carburetor float bowl on the left side of the FOURTRAX. To start the engine when air temperature is below -15°C (5°F), push the knob in two or three times before pressing the starter button.

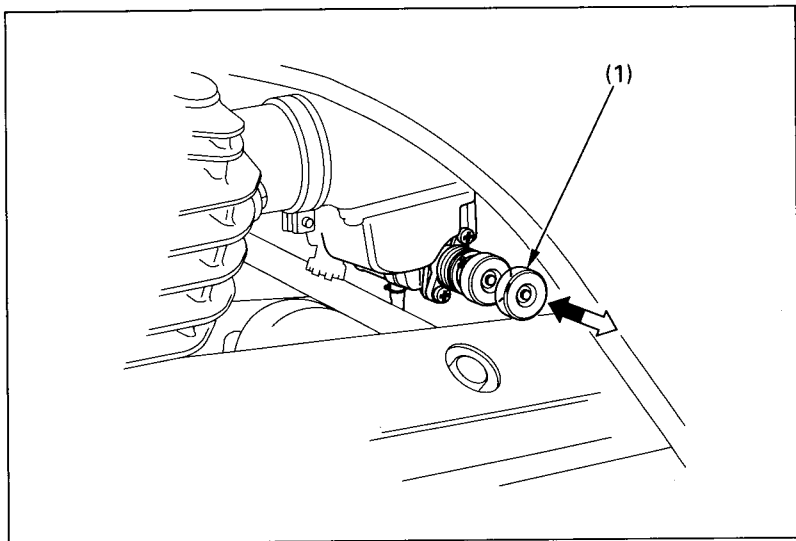


Fig. 2-10

(1) Starting primer knob

Recoil Starter

The recoil starter (Fig. 2-11) is on the right side of the FOURTRAX. It is used to start the engine when the battery is low.

To operate the recoil starter:

1. Unsnap and remove the right side cover (2).
2. Grasp the starter grip (1) firmly, then pull it out slowly approximately 100 mm (4 in).
3. Pull the grip up briskly and fully.
4. After the engine starts, allow the starter grip to return slowly.

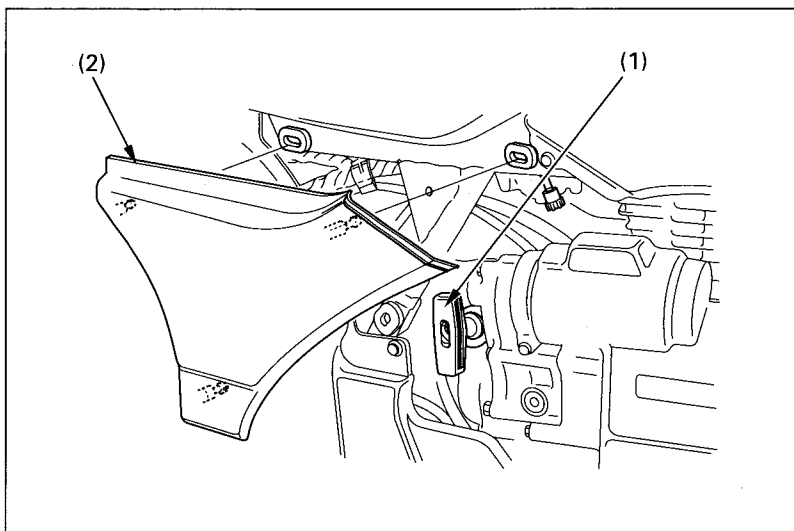


Fig. 2-11 (1) Recoil starter grip

(2) Right side cover

Throttle Lever

The throttle lever (Fig. 2-12) is next to the right handgrip, and it is operated by the thumb. Pressing the lever opens the throttle. When pressure is released, spring tension automatically closes the throttle.

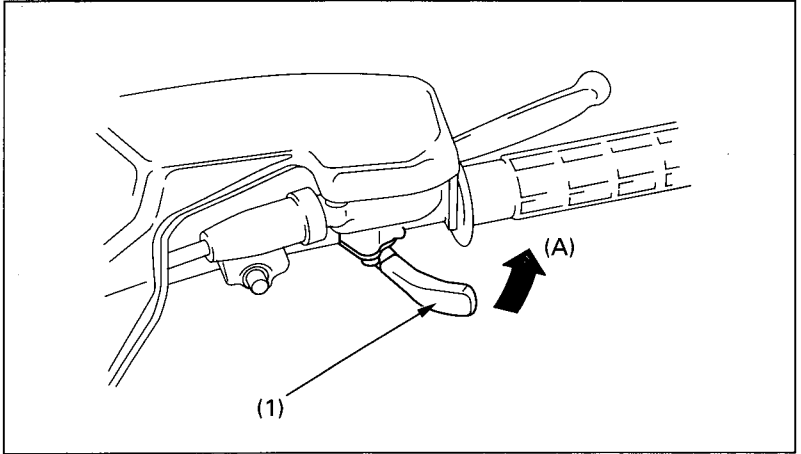





Fig. 2-12 (1) Throttle lever

(A) To open the throttle

LIGHTS

Headlight and Dimmer Switches

The headlight and dimmer switches (Fig. 2-13) are above the engine stop switch, next to the left handgrip.

Turning the headlight switch (1)  (ON) turns the headlight and assist headlight on. Use the dimmer switch (2) to select either high beam  (HI) or low beam  (LO) for the headlights.

The dimmer switch will not change the assist headlight beam.

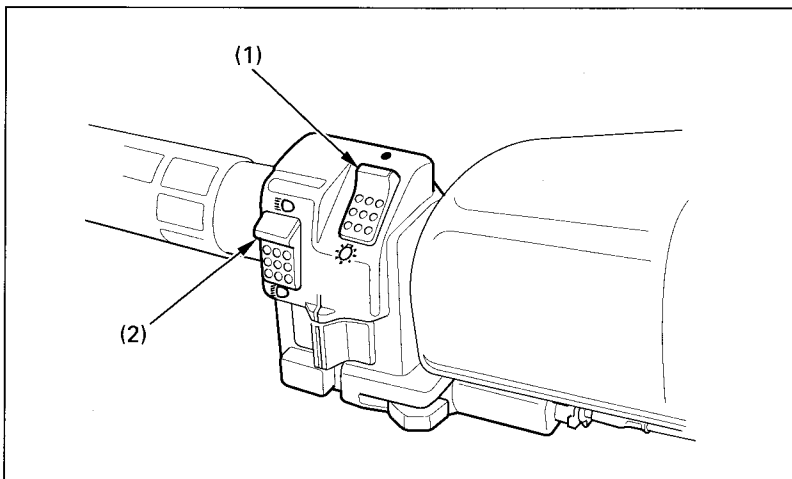


Fig. 2-13 (1) Headlight switch

(2) Dimmer switch

Oil High Temperature Indicator Lamp

If the engine oil gets too hot, the oil high temperature indicator lamp (Fig. 2-14) will light.

NOTE:

The oil high temperature indicator lamp should come on when the ignition switch is turned I (ON). This is not a problem. The light should go off a few seconds after the engine is started.

CAUTION:

If the light does not come on with ignition switch I (ON): check the bulb and replace it if it is burned out.

Contact your authorized Honda dealer for assistance if you cannot correct the problem.

If the oil high temperature indicator lamp comes on while you are riding, immediately bring the vehicle to a stop, turn the engine off and let it cool.

An electric fan is used to automatically provide sufficient air flow through the oil cooler/before the engine oil temperature becomes too high.

CAUTION:

- * **Failure to stop the engine immediately after the oil high temperature indicator lamp comes on will adversely affect the service life of the engine.**
- * **Do not carry or store articles on the front bumper. This may restrict air flow through the engine oil cooler, causing it to overheat.**

If the oil high temperature indicator lamp comes on often, have your FOURTRAX inspected by your Honda dealer.

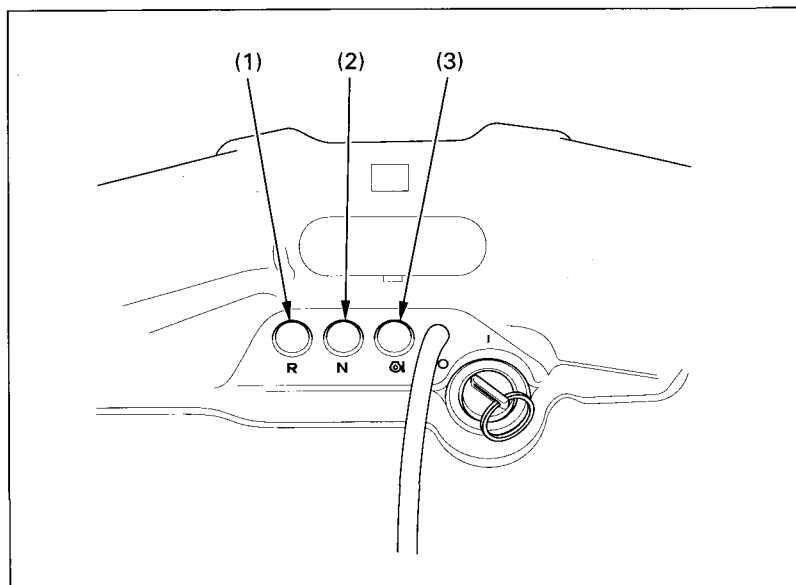


Fig. 2-14 (1) Reverse indicator lamp (2) Neutral indicator lamp (3) Oil high temperature indicator lamp

Reverse and Neutral Indicator Lamps

The reverse indicator lamp (1) and the neutral indicator lamp (2) (Fig. 2-14) are next to the ignition switch.

The reverse indicator lamp will light when the transmission is in reverse and the ignition switch is I (ON). The neutral indicator lamp will light when the transmission is in neutral and the ignition switch is I (ON).

Speedometer/Hourmeter

(Ref. No.) Description	Function
(1) Speedometer	Shows riding speed.
(2) Odometer	Shows accumulated mileage.
(3) Tripmeter	Shows mileage per trip.
(4) Tripmeter reset knob	Resets tripmeter to zero (0) by pushing the knob.
(5) Hourmeter	Shows hours and tenth of hours of engine operation. Operates when the ignition switch is turned I (ON). Provides accurate service period information for initial and regular maintenance.
(6) Hourmeter indicator	Blinks when the hourmeter is operating. Should blink when the ignition switch is turned I (ON).

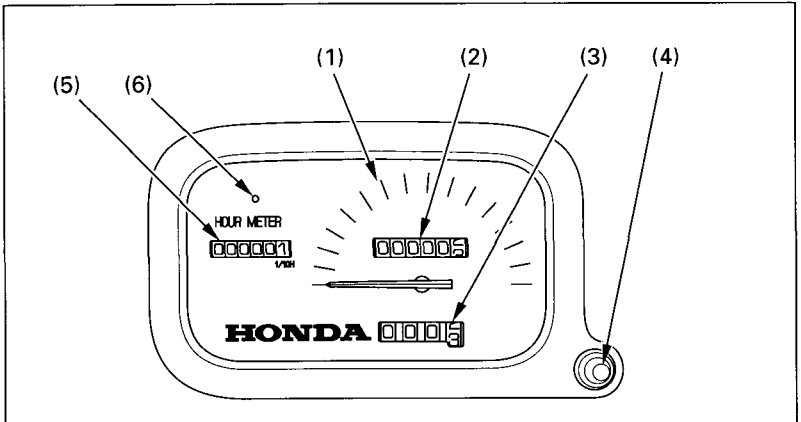


Fig. 2-15

GEARSHIFT CONTROLS

Gearshift Pedal

The gearshift pedal is near the left footpeg. One full stroke of the pedal shifts the transmission to the next higher or lower gear in the shifting sequence (Fig. 2-16). The pedal automatically returns to the horizontal position when released.

Your FOURTRAX has five-forward gears (SL, 1, 2, 3, and 4).

To upshift to a higher gear, put the toe of your boot under the gearshift pedal and raise the pedal one full stroke. To downshift, step on the gearshift pedal and depress the pedal one full stroke. (For further operational instructions, see page 63.)

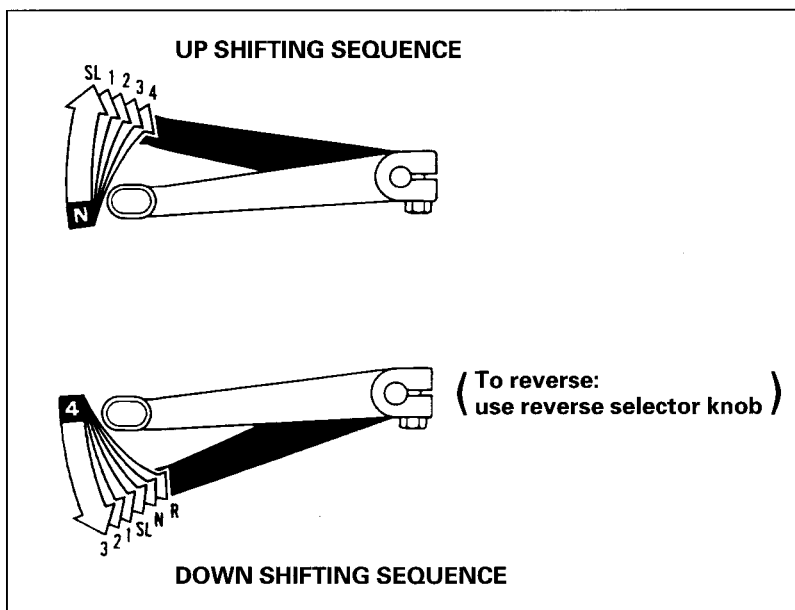


Fig. 2-16

Gearshifting sequence

Reverse Selector Knob

The reverse selector knob (Fig. 2-17) (1) is on the rear brake lever.

To shift into reverse, first bring the FOURTRAX to a complete stop and make sure the transmission is in neutral. While pushing the reverse selector knob (1) in, squeeze the rear brake lever (2), then depress the gearshift pedal.

CAUTION:

Bring the FOURTRAX to a complete stop before shifting the transmission into reverse. If the transmission is shifted into reverse while the vehicle is moving, the transmission will be damaged.

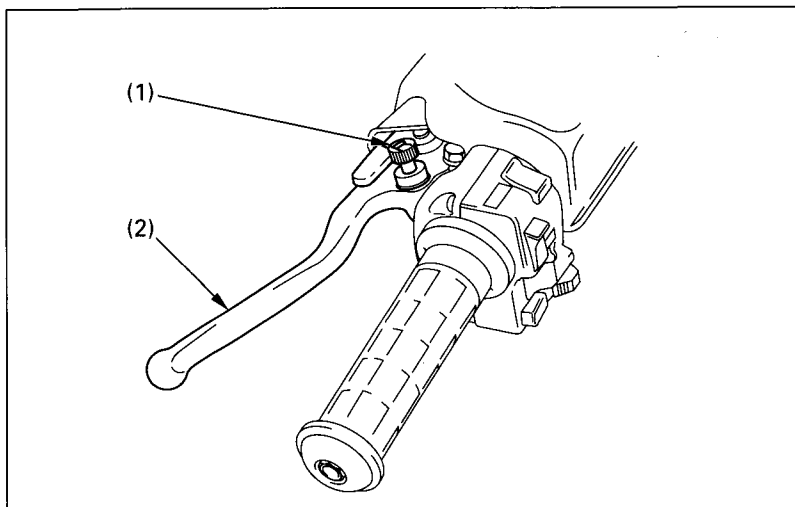


Fig. 2-17 (1) Reverse selector knob (2) Rear brake lever

BRAKE CONTROLS

Front Brakes

The front brakes are operated by squeezing the front brake lever, near the right handgrip.

Rear Brake

The rear brake is operated either by depressing the brake pedal or by squeezing the rear brake lever (Fig. 2-18).

NOTE:

Although the front and rear brakes have separate controls, your FOURTRAX's four-wheel drive interconnects all four wheels. So operating any brake control will cause braking at both the front and rear wheels. For information on how to apply the brakes in various riding situations, see pages 64–81.

Parking Brake

The rear brake lever has a lock which allows it to be used as a parking brake.

To set the parking brake, squeeze the rear brake lever (1) and lock it with the lock lever (2). Always set the parking brake when parking and before starting the engine.

To unlock the parking brake, squeeze the rear brake lever until the lock lever releases.

Using the parking brake in freezing weather may cause the brakes to freeze in the locked position.

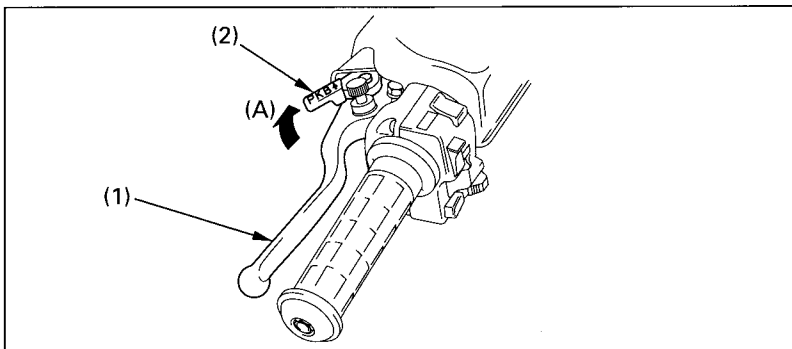


Fig. 2-18 (1) Rear brake lever/
Parking brake lever (2) Lock lever
(A) To lock

FUEL TANK CONTROLS

Fuel Gauge

The fuel gauge (Fig. 2-19) (1) shows the approximate fuel supply available. At F (Full), the fuel tank capacity including reserve is:

12.0 ℓ (3.17 US gal , 2.64 Imp gal)

When the gauge needle (2) enters the red band (3), fuel will be low and you should refill the tank as soon as possible. The amount of fuel left in the tank when the needle enters the red band is approximately:

3.0 ℓ (0.79 US gal , 0.66 Imp gal)

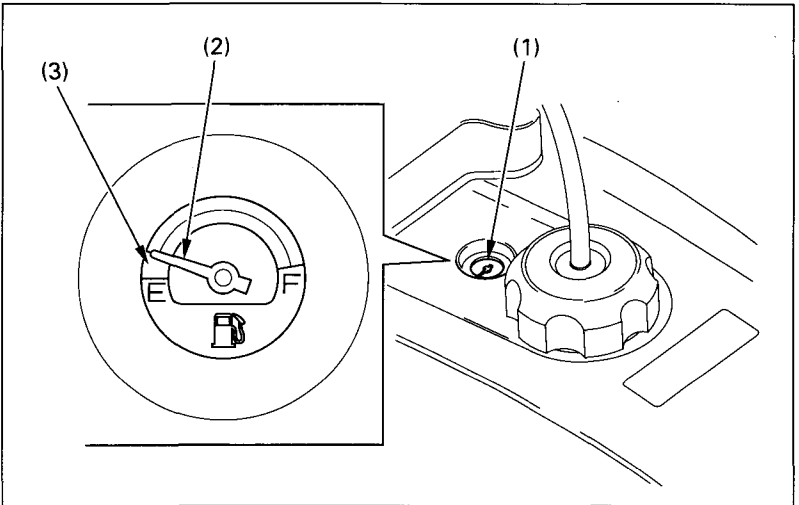


Fig. 2-19 (1) Fuel gauge

(2) Gauge needle
(3) Red band

Fuel Fill Cap

After refueling, be sure to tighten the fuel fill cap (Fig. 2-20) until it clicks.

Insert the breather tube (2) into the handlebar cover hole (3).

To refuel refer to page 88.

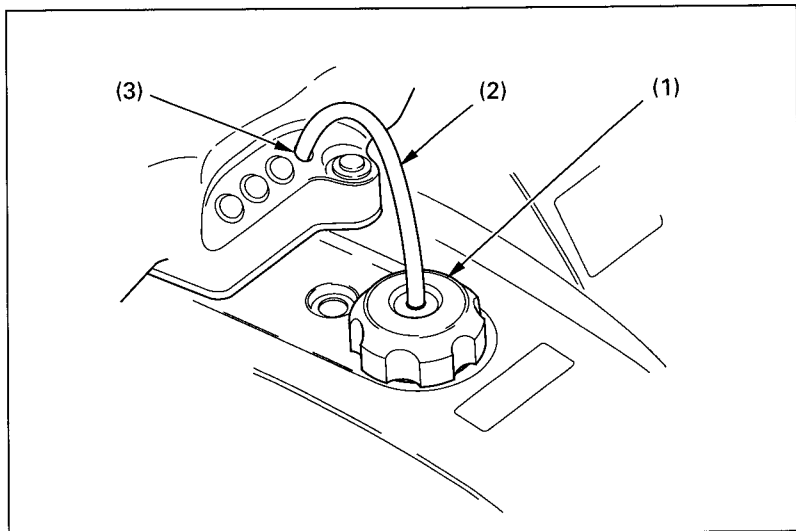


Fig. 2-20 (1) Fuel fill cap

(2) Breather tube
(3) Handlebar cover hole

Fuel Valve

The fuel valve (Fig. 2-21) is on the left side of the fuel tank, and it has three positions:

OFF

When the fuel valve is in the OFF position, fuel cannot flow to the carburetor. Turn the valve OFF whenever the FOURTRAX is not in use.

ON

When the fuel valve is in the ON position, fuel will flow from the main fuel supply to the carburetor.

RES

When the fuel valve is in the RES position, fuel will flow from the reserve fuel supply to the carburetor. Use the reserve fuel only when the main supply is gone.

Refill the tank as soon as possible after switching to RES. The reserve fuel supply is:

2.7 l (0.71 US gal , 0.59 Imp gal)

NOTE:

After refueling, do not operate the FOURTRAX with the fuel valve in the RES position. If you run out of fuel, there will be no reserve supply.

For gasoline recommendations and refueling instructions, see pages 88–91 .

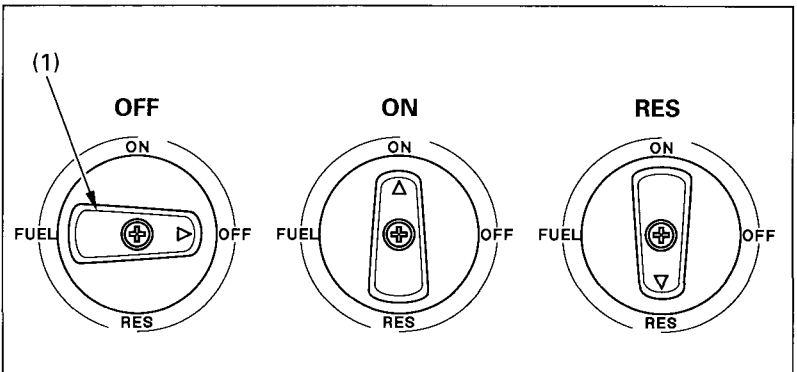


Fig. 2-21

(1) Fuel valve

ENGINE OIL

Oil Filler Cap/Dipstick

The oil filler cap/dipstick (Fig. 2-22), on the right crankcase cover, is used to measure the oil level. The oil should be checked each day before operating the FOURTRAX and maintained between the upper level mark (2) and the lower level mark (3).

For oil recommendations and instructions on checking, adding and changing oil, see pages 100–104.

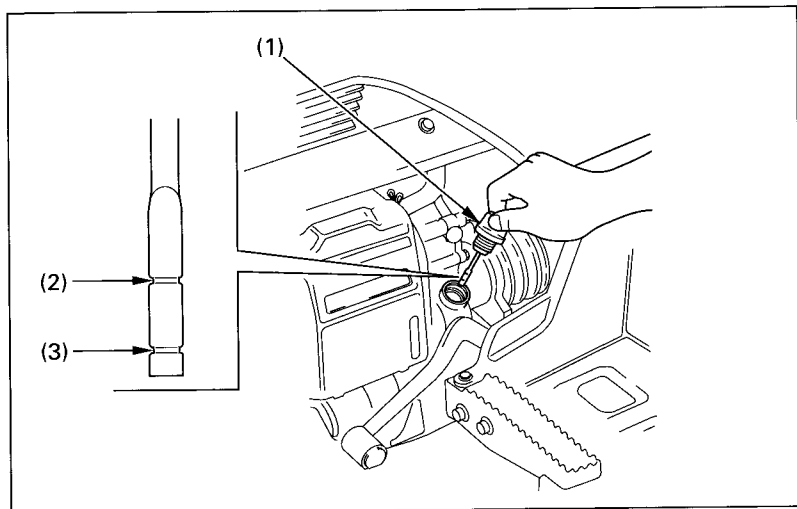


Fig. 2-22 (1) Oil filler cap/dipstick (2) Upper level mark (3) Lower level mark

While reading this manual, remember:

▲WARNING

Indicates a strong possibility that serious injury or death may result if instructions are not followed.

ADDITIONAL FEATURES

Helmet Holder

The helmet holder (2) (Fig. 2-23) is a bracket near the right side of the handlebar cover (1). To use the holder, hang the D-ring on your helmet strap over the bracket. Use the helmet holder only when the FOURTRAX is parked.

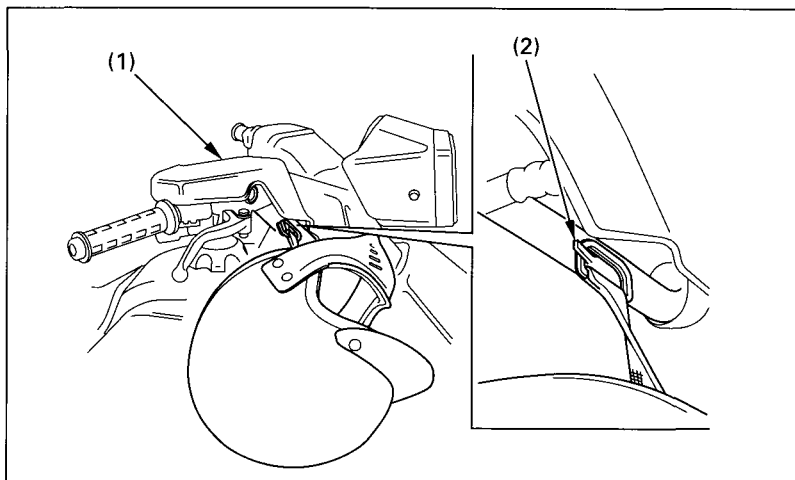


Fig. 2-23 (1) Handlebar cover

(2) Helmet holder

⚠ WARNING

POTENTIAL HAZARD

Operating this ATV with a helmet attached to the helmet holder.

WHAT CAN HAPPEN

Can impair your ability to steer the vehicle.

HOW TO AVOID THE HAZARD

**Never ride this ATV with a helmet attached to the helmet holder.
Use the helmet holder only while the ATV is parked.**

Flag Pole Bracket

The flag pole bracket (Fig. 2-24) is on the rear cargo rack. Flag poles are optional equipment available from your Honda dealer. To mount a pole in the bracket, follow the instructions that come with the flag pole kit.

NOTE:

Flag poles are required in some riding areas. Check local regulations before riding.

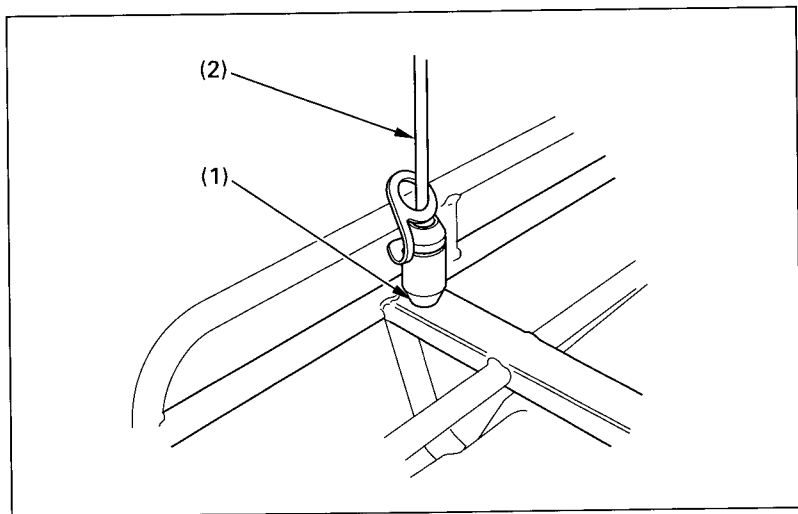


Fig. 2-24 (1) Flag pole bracket

(2) Optional flag pole

Trailer Hitch

The trailer hitch is located on the rear axle housing. As illustrated in Fig. 2-25 , to use the hitch, you'll need a proper size ball as specified by the trailer manufacturer.

To attach the ball and properly hook up a trailer, follow the trailer manufacturer's instructions. For load limits and operational guidelines, see pages 41 – 43.

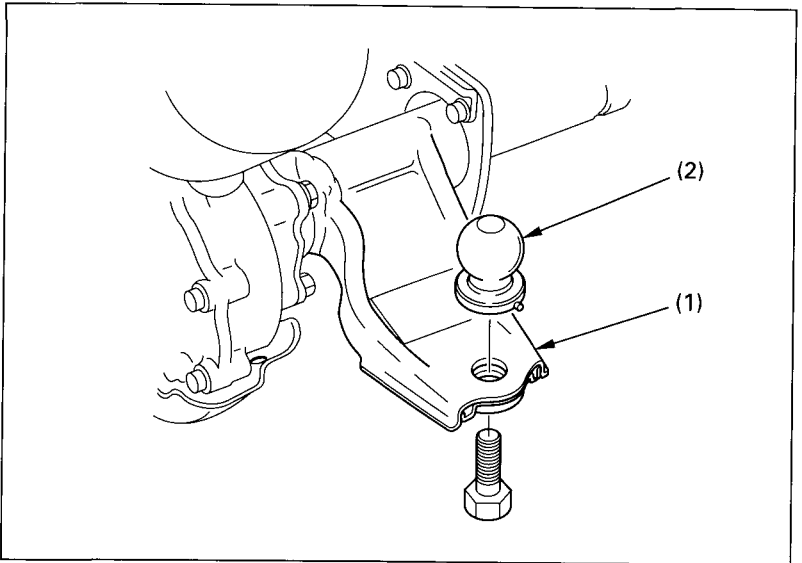


Fig. 2-25 (1) Trailer hitch

(2) An example ball

Storage Compartment

The storage compartment (2) (Fig. 2-26) is below the rear cargo rack (1). To open the compartment, unhook the rubber strap (3). The owner's manual (4), tool kit (5), and air pressure gauge (6) should be stored in the storage compartment (2).

Be careful not to flood this area when washing your FOURTRAX or riding through water.

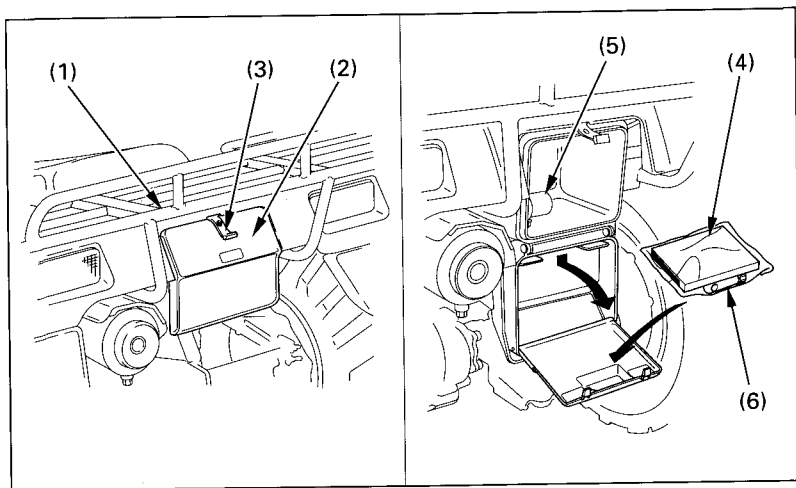


Fig. 2-26 (1) Rear cargo rack
(2) Storage compartment
(3) Rubber strap

(4) Owner's manual
(5) Tool kit
(6) Air pressure gauge

RIDING YOUR FOURTRAX

This part of the Owner's Manual discusses how to ride your FOURTRAX safely. Please review the special safety messages on pages 1–5 . While reading this manual, remember:

▲WARNING Indicates a strong possibility that serious injury or death may result if instructions are not followed.

BEFORE RIDING

You need to be prepared before riding. This includes getting proper instruction, making sure your FOURTRAX is in good operating condition, and learning some basic safe-riding rules.

RIDER PREPARATION

Age Recommendation

The minimum recommended age for this FOURTRAX model is 16. For safety, never let children under 16 years old operate this vehicle.

⚠ WARNING

POTENTIAL HAZARD

Failure to follow the age recommendation for this ATV.

WHAT CAN HAPPEN

If children use ATVs that are not recommended for their age, severe injury or death can result.

Even though a child may be within the age group for which an ATV is recommended, he or she may not have the skills, abilities, or judgment needed to operate the ATV safely and may be involved in a serious accident.

HOW TO AVOID THE HAZARD

A child under 16 should never operate an ATV with engine size greater than 90 cc.

VEHICLE PREPARATION

Pre-Ride Inspection

Inspect your FOURTRAX every day before you ride it. Checking the items below will take only a few minutes, and in the long run, they can save time, expense, and possibly your life.

1. **Engine oil level.** Check the oil level and add oil if required (pages 100–104). Check for leaks.
2. **Fuel level.** Fill the fuel tank when necessary (pages 88–91). Check for leaks.
3. **Brakes.** Check operation. Make sure there is no brake fluid leakage. If necessary, adjust free play (pages 119–128).
4. **Tyres.** Check condition and pressure (pages 130–132).
5. **Throttle.** Check for smooth opening and closing in all steering positions.
6. **Headlight and headlight dimmer switches.** Check for proper function (page 21).
7. **Engine stop switch.** Check for proper function (page 15).
8. **Driveshaft boots.** Check for damage (page 138).
9. **Nuts, bolts, fasteners.** Check the wheels to see that the axle nuts are tightened. Check the security of all other nuts, bolts and fasteners.
10. **Steering.** Check that the wheels turn properly as you steer the handlebars.
11. **Cargo.** Check that all cargo is properly secured.
12. **Underbody and exhaust system.** Check for, and remove, any dirt, vegetation or other debris that could be a fire hazard or interfere with the proper operation of the vehicle.
13. **Air cleaner housing drain tube.** Check for deposits in the drain tube. If necessary, clean the tube (page 96) and check the air cleaner case.

⚠ WARNING

POTENTIAL HAZARD

**Failure to inspect the ATV before operating.
Failure to properly maintain the ATV.**

WHAT CAN HAPPEN

Increases the possibility of an accident.

HOW TO AVOID THE HAZARD

Always inspect your ATV each time you use it to make sure the ATV is in safe operating condition.

Always follow the inspection and maintenance procedures and schedules described in this Owner's Manual.

Correct any problem before you ride. If you can't correct a problem, contact your Honda dealer for assistance.

If your FOURTRAX has overturned or been involved in a collision, do not ride the vehicle until it has been inspected by an authorized Honda dealer. There may be damage or other problems you cannot see.

Tyres

Before riding, make sure your FOURTRAX has the proper tyres and that they are in good condition. Also be sure the tyres are inflated to the proper air pressure (see page 130).

⚠ WARNING

POTENTIAL HAZARD

Operating this ATV with improper tyres, or with improper or uneven tyre pressure.

WHAT CAN HAPPEN

Use of improper tyres on this ATV, or operation of this ATV with improper or uneven tyre pressure, may cause loss of control, increasing your risk of an accident.

HOW TO AVOID THE HAZARD

Always use the size and type tyres specified in the Owner's Manual for this vehicle.

Always maintain proper tyre pressure as described in this Owner's Manual.

Loading

Load Limits

There are limits to how much weight can be carried on your FOURTRAX and be pulled in a trailer.

NOTE:

The following weight limits apply to standard equipment only. Modifying your FOURTRAX, using non-standard equipment or riding on terrain that is not flat and smooth could further reduce these limits.

Maximum weight capacity	220 kg (485 lbs) maximum
(Combined weight of the rider, all accessories and all cargo)	
Front cargo rack weight limit	= 30 kg (66 lbs) maximum
Rear cargo rack weight limit	= 60 kg (133 lbs) maximum
Tow weight limit	= 3776 N {385 kg (850 lbs)} maximum
(Combined weight of the trailer and all cargo in the trailer)	
Tongue weight	= 137 N {14 kg (30 lbs)} recommended
(Weight on the trailer tongue)	
Tongue and rear cargo weight	= 60 kg (133 lbs) maximum
(Combined weight on the trailer tongue and on the rear cargo rack)	

Loading and Operational Guidelines

Carrying cargo or pulling a trailer will affect how your FOURTRAX handles and greatly reduce its ability in accelerating, braking and making turns and other maneuvers.

Be sure to observe the weight limits and follow these guidelines:

1. Do not place cargo anywhere on the FOURTRAX other than on the front and rear racks. Otherwise, operating stability may be adversely affected.
2. Never ride with a passenger on the front or rear cargo racks. The FOURTRAX is not designed to carry a passenger.
3. Do not tow another vehicle or a trailer with a rope or cable attached to the rear rack. Use the trailer hitch.
4. Load cargo on the rear rack as far forward as possible. Make sure cargo on the front rack does not interfere with handlebar movement.
5. Do not allow cargo to extend beyond the edges of either the front or rear racks.
6. Make sure all cargo is secured before riding.
7. When towing a trailer, take care to maintain balance and stability. Distribute cargo between the front and rear of the trailer to obtain the recommended tongue weight.

NOTE:

Tongue weight can be measured with ordinary bathroom scales. Place the scales under the tongue, using either the tongue jack or other support to keep the trailer level.

8. Allow extra room for starting, stopping and turning whenever you carry cargo or pull a trailer.
9. Avoid riding on steep slopes when carrying cargo or pulling a trailer.
10. Never cross a slope when towing a trailer.

⚠ WARNING

POTENTIAL HAZARD

Overloading this ATV or carrying or towing cargo improperly.

WHAT CAN HAPPEN

Could cause changes in vehicle handling, stability and braking which could lead to an accident.

HOW TO AVOID THE HAZARD

Never exceed the stated load limits for this ATV.

Cargo should be properly distributed and securely attached.

Reduce speed when carrying cargo or pulling a trailer. Allow greater distance for braking.

Use extra care when operating on hills and riding over obstacles. Never cross a slope when pulling a trailer.

Always follow the instructions in this Owner's Manual for carrying cargo or pulling a trailer.

Accessories

Genuine Honda accessories have been specifically designed for and tested on this vehicle. Because Honda cannot test all other accessories, you are personally responsible for properly selecting, installing, and using non-Honda accessories. Always follow the loading instructions above, plus the following:

1. Carefully inspect the accessory to make sure it does not block any lights, reduce ground clearance, or limit suspension travel, steering travel, or other controls.
2. Make sure the accessory does not interfere with your ability to shift body position on the seat or operate hand and foot controls.
3. Do not add electrical equipment that will exceed the vehicle's electrical system capacity. A blown fuse could cause a loss of lights or engine power.

⚠ WARNING

POTENTIAL HAZARD

Operating this ATV with improper modifications.

WHAT CAN HAPPEN

Improper installation of accessories or modification of this vehicle may cause changes in handling which could lead to an accident.

HOW TO AVOID THE HAZARD

Never modify this ATV through improper installation or use of accessories. All parts and accessories added to this vehicle should be genuine Honda or equivalent components designed for use on this ATV and should be installed and used according to instructions. If you have questions, consult an authorized Honda dealer.

While reading this manual, remember:

⚠ WARNING

Indicates a strong possibility that serious injury or death may result if instructions are not followed.

No Modifications

Modifying this FOURTRAX or removing original equipment may render the vehicle unsafe or illegal. Spark arresters and mufflers are required in most areas. Don't modify your exhaust system. Remember, excessive noise bothers everyone and creates a bad image for off-road vehicles.

SAFE RIDING RULES

Protective Apparel

Always wear an approved motorcycle helmet when riding your FOURTRAX. You should also always wear goggles or a face shield, gloves, boots, a long-sleeved shirt or jacket, and long pants.

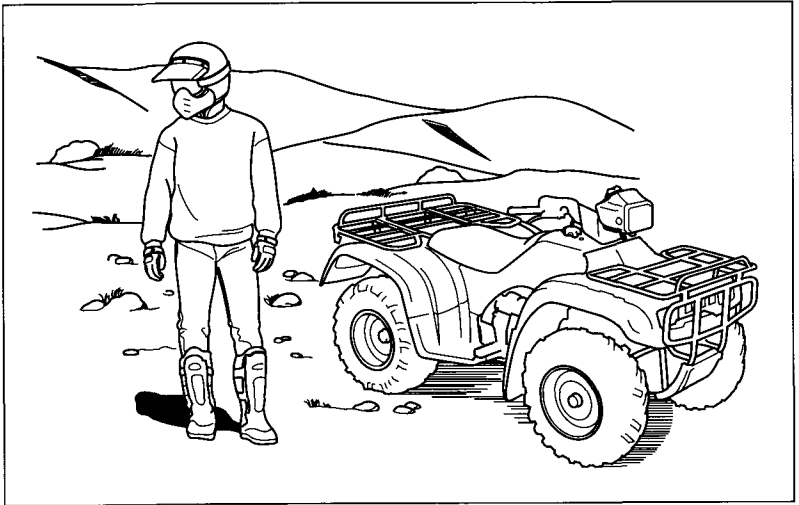


Fig. 3-1

An example of a properly dressed rider.

⚠ WARNING

POTENTIAL HAZARD

Operating this ATV without wearing an approved motorcycle helmet, eye protection and protective clothing.

WHAT CAN HAPPEN

Operating without an approved motorcycle helmet increases your chances of a severe head injury or death in the event of an accident.

Operating without eye protection can result in an accident and increases your chances of a severe injury in the event of an accident.

Operating without protective clothing increases your chances of severe injury in the event of an accident.

HOW TO AVOID THE HAZARD

Always wear an approved motorcycle helmet that fits properly.

You should also wear: eye protection (goggles or face shield), gloves, boots, long-sleeved shirt or jacket and long pants.

No Passengers

This FOURTRAX is designed as an operator-only vehicle. The long seat is designed to allow the rider to change body position, not for carrying a passenger. Never let a passenger ride on the seat or on the front or rear cargo racks.

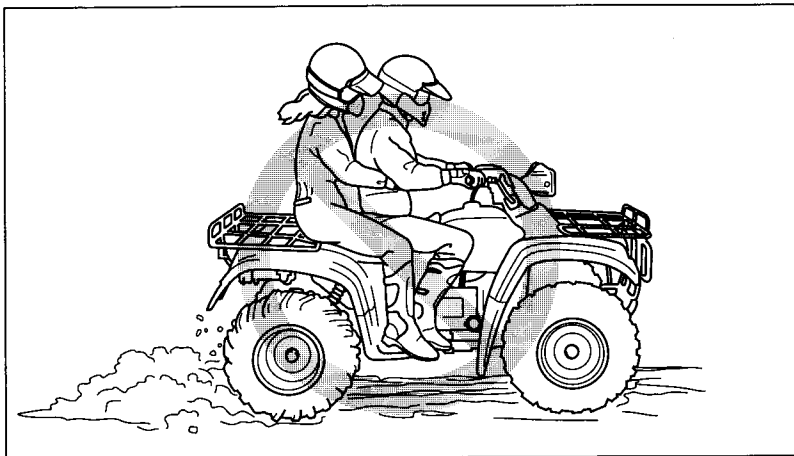


Fig. 3-2

Never carry a passenger on your FOURTRAX.

▲ WARNING

POTENTIAL HAZARD

Carrying a passenger on this ATV.

WHAT CAN HAPPEN

Greatly reduces your ability to balance and control this ATV.

Could cause an accident, resulting in harm to you and/or your passenger.

HOW TO AVOID THE HAZARD

Never carry a passenger. The long seat is to allow the operator to shift position as needed during operation. It is not for carrying passengers.

No Alcohol or Drugs

Alcohol, drugs and FOURTRAX's don't mix. Even a small amount of alcohol can impair your ability to operate a FOURTRAX safely. Likewise, drugs—even if prescribed by a physician—can be dangerous while operating a FOURTRAX. Consult your doctor to be sure it is safe to operate a vehicle after taking medication.

⚠ WARNING

POTENTIAL HAZARD

Operating this ATV after consuming alcohol or drugs.

WHAT CAN HAPPEN

**Could seriously affect your judgment.
Could cause you to react more slowly.
Could affect your balance and perception.
Could result in an accident.**

HOW TO AVOID THE HAZARD

Never consume alcohol or drugs before or while driving this ATV.

Off-Road Only

Your FOURTRAX is designed and manufactured for off-road use only, not for pavement. Riding on pavement can affect handling and control. You should not ride your FOURTRAX on pavement.

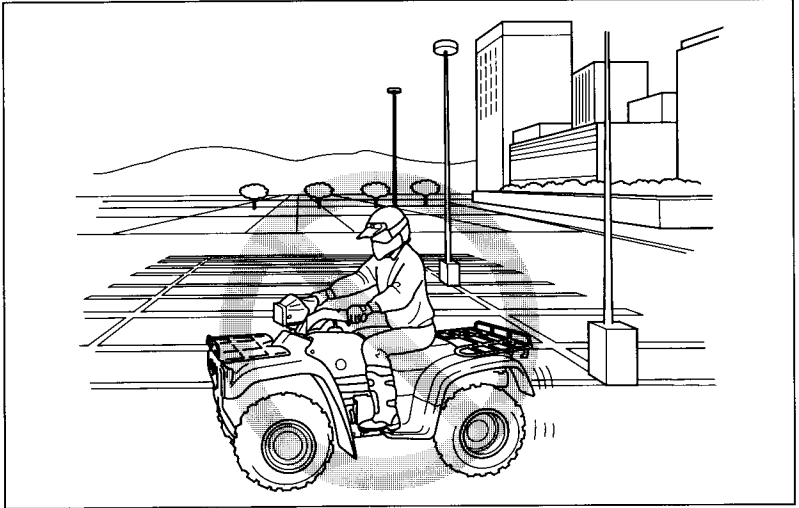


Fig. 3-3

Never ride on paved surfaces.

⚠ WARNING

POTENTIAL HAZARD

Operating this ATV on paved surfaces.

WHAT CAN HAPPEN

The ATV and its tyres are designed for off-road use only, not for use on pavement. Paved surfaces may seriously affect handling and control of the ATV, and may cause the vehicle to go out of control.

HOW TO AVOID THE HAZARD

Never operate the ATV on any paved surfaces, including sidewalks, driveways, parking lots and streets.

You should never ride your FOURTRAX on public streets, roads or highways, even if they are not paved. Drivers of street vehicles may have difficulty seeing and avoiding you, which could lead to a collision.

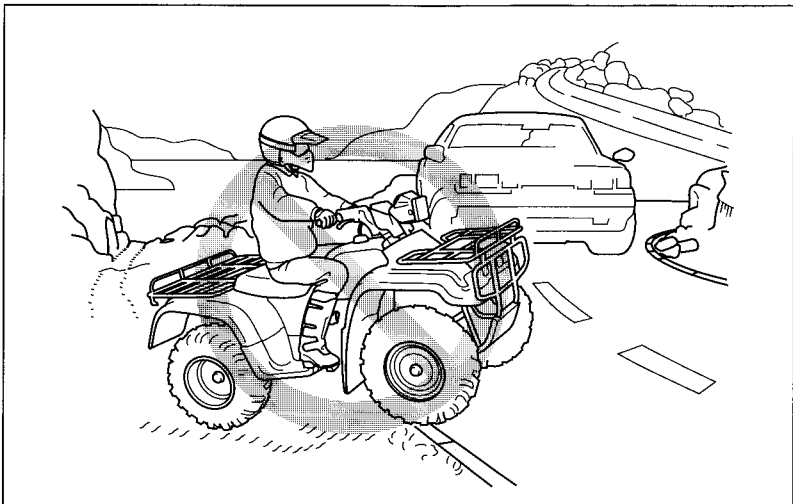


Fig. 3-4

Never ride on public roads or highways.

⚠ WARNING

POTENTIAL HAZARD

Operating this ATV on public streets, roads or highways.

WHAT CAN HAPPEN

You can collide with another vehicle.

HOW TO AVOID THE HAZARD

Never operate this ATV on any public street, road or highway, even a dirt or gravel one.

In many states it is illegal to operate ATVs on public streets, roads and highways.

When riding off-road, also remember to always obey local off-road riding laws and regulations. Obtain permission to ride on private property. Avoid posted areas and obey “no trespassing” signs.

Keep Hands and Feet on Controls

Always keep both hands on the handlebars and both feet on the footpegs when riding your FOURTRAX. This is important to maintain your balance and to control the vehicle. If you put your feet on the ground while the FOURTRAX is moving, they could come in contact with the rear wheels, causing injury.

⚠ WARNING

POTENTIAL HAZARD

Removing hands from handlebars or feet from footpegs during operation.

WHAT CAN HAPPEN

Removing even one hand or foot can reduce your ability to control the ATV or could cause you to lose your balance and fall off of the ATV. If you remove a foot from the footpeg, your foot or leg may come into contact with the rear wheels, which could injure you or cause an accident.

HOW TO AVOID THE HAZARD

Always keep both hands on the handlebars and both feet on the footpegs of your ATV during operation.

Control Speed

Riding at excessive speed increases the chance of an accident. In choosing a proper speed, you need to consider the capability of your vehicle, the terrain, visibility and other operating conditions, plus your own skills and experience.

⚠ WARNING

POTENTIAL HAZARD

Operating this ATV at excessive speeds.

WHAT CAN HAPPEN

Increases your chances of losing control of the ATV, which can result in an accident.

HOW TO AVOID THE HAZARD

Always go at a speed that is proper for your vehicle, the terrain, visibility and other operating conditions, and your experience.

No Stunts

When riding, you should keep all four wheels of your FOURTRAX on the ground. Avoid “wheelies,” jumps and other stunts, as they could cause loss of control.

⚠ WARNING

POTENTIAL HAZARD

Attempting wheelies, jumps, and other stunts.

WHAT CAN HAPPEN

Increases the chance of an accident, including an overturn.

HOW TO AVOID THE HAZARD

**Never attempt stunts, such as wheelies or jumps.
Don't try to show off.**

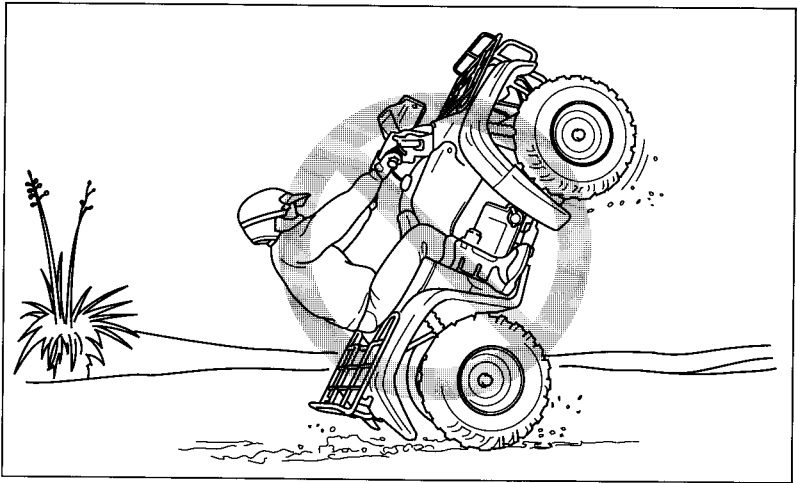


Fig. 3-5

Never attempt wheelies or other stunts.

Use Care on Unfamiliar Terrain

Before riding in a new area, always check the terrain thoroughly. Don't ride fast on unfamiliar terrain or when visibility is limited. (It's sometimes difficult to see obstructions.)

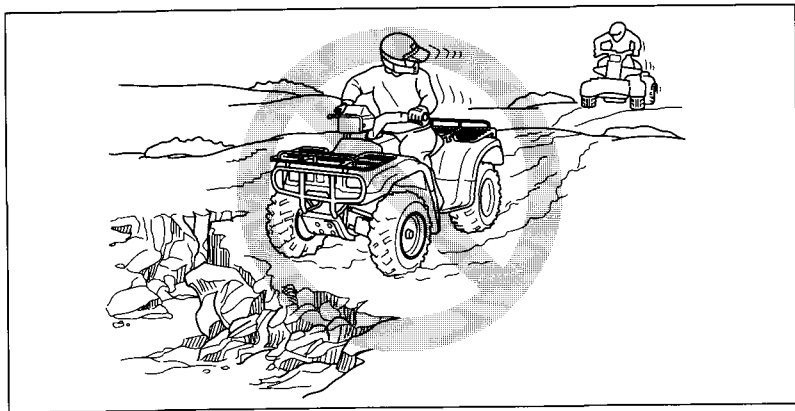


Fig. 3-6

Be alert for changes in the terrain.

⚠ WARNING

POTENTIAL HAZARD

Failure to use extra care when operating this ATV on unfamiliar terrain.

WHAT CAN HAPPEN

You can come upon hidden rocks, bumps, or holes without enough time to react.

Could result in the ATV overturning or going out of control.

HOW TO AVOID THE HAZARD

Go slowly and be extra careful when operating on unfamiliar terrain.

Always be alert to changing terrain conditions when operating the ATV.

Never ride past your limit of visibility. Maintain a safe distance between your FOURTRAX and other off-road vehicles. Always exercise caution, and use extra care on rough, slippery and loose terrain.

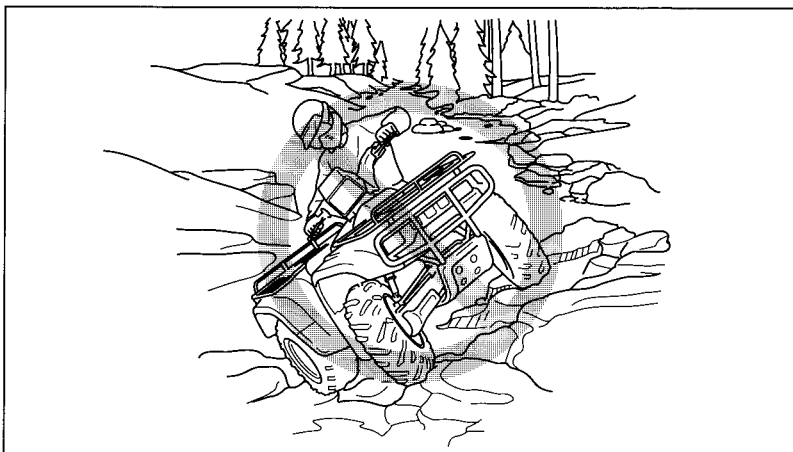


Fig. 3-7

Use extra care on rough terrain.

⚠ WARNING

POTENTIAL HAZARD

Failure to use extra care when operating on excessively rough, slippery or loose terrain.

WHAT CAN HAPPEN

Could cause loss of traction or vehicle control, which could result in an accident, including an overturn.

HOW TO AVOID THE HAZARD

Do not operate on excessively rough, slippery or loose terrain until you have learned and practiced the skills necessary to control the ATV on such terrain.

Always be especially cautious on these kinds of terrain.

RIDING

For your initial riding practice, select a safe area free of obstacles with a level surface of dirt or sand. Practice at low speed until you are confident in shifting gears, braking, and making turns.

⚠ WARNING

POTENTIAL HAZARD

Running the engine in an enclosed area.

WHAT CAN HAPPEN

Engine exhaust contains carbon monoxide gas that can cause loss of consciousness and may lead to death.

HOW TO AVOID THE HAZARD

Never operate the ATV engine in an enclosed area, such as a garage.

STARTING THE ENGINE

Preparation

1. Select a level surface and lock the parking brake (page 27) before starting the engine.
2. Turn the fuel valve (1) and ignition switch (2) to I (ON).
3. Make sure the engine stop switch (3) is at \odot (RUN).
4. Make sure that the transmission is in neutral by checking that the neutral indicator lamp (4) lights.

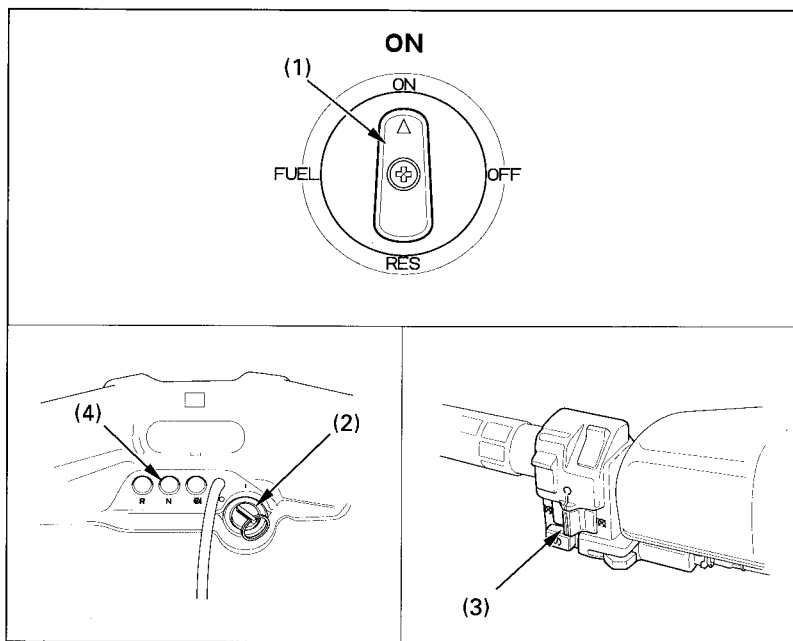


Fig. 3-8 (1) Fuel valve
(2) Ignition switch

(3) Engine stop switch
(4) Neutral indicator lamp

Starting Procedure (After Preparation)

To restart a warm engine, follow the procedure for High Air Temperature.

The starter motor will operate only when the transmission is in neutral.

Normal Air Temperature

10°–35 °C (50°–95 °F)

1. Move the choke lever left to the fully ON (A) position, if the engine is cold.
2. With the throttle closed, press the starter button.

CAUTION:

*** Pressing the electric starter button for more than 5 seconds at a time may cause the starter to overheat and damage the starter. Release the starter button for approximately 10 seconds before pressing it again.**

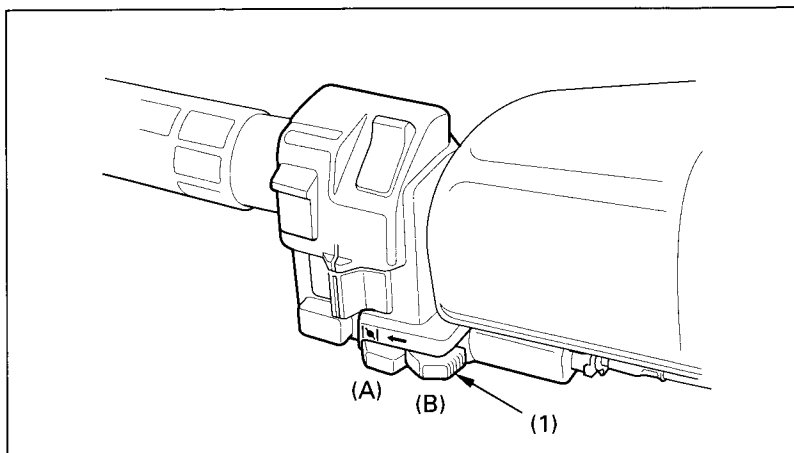


Fig. 3-9 (1) Choke knob

(A) Fully ON
(B) Fully OFF

3. Immediately after the engine starts, operate the choke lever to keep fast idle.
4. Continue warming up the engine until it runs smoothly and responds to the throttle with the choke lever in the fully OFF (B) position.
5. If idling is unstable, open the throttle slightly.

High Air Temperature

35 °C (95 °F) or above

1. Do not use the choke.
2. With the throttle slightly open, press the starter button (1).

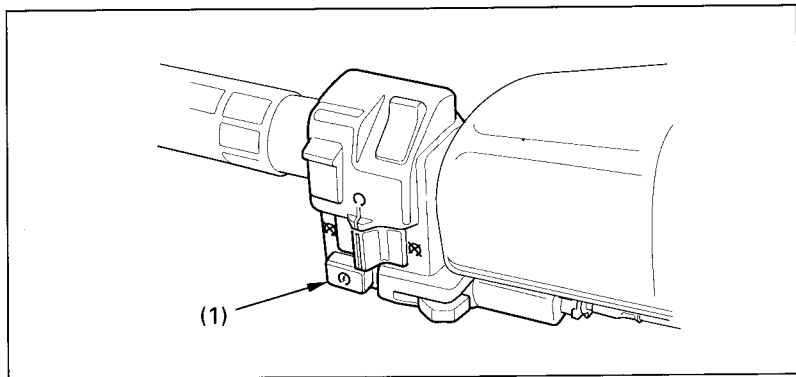


Fig. 3-10

(1) Starter button

Low Air Temperature

10 °C (50 °F) or below

1. Follow the procedure for "Normal Air Temperature".

NOTE:

When air temperature is below -15 °C (5 °F), push the starting primer knob two or three times (page 18).

CAUTION:

- * **Extended use of the choke may impair piston and cylinder wall lubrication and shorten the life of the engine.**
- * **Do not race the engine during the warm-up period.**
Racing a cold engine wastes fuel and increases engine wear.

If the engine doesn't start after pushing the starter button several times, use the recoil starter.

Flooded Engine

If the engine does not start after several attempts, it may have become flooded with excess fuel. To clear the engine:

1. Turn the engine stop switch \otimes (OFF).
2. Move the choke lever to the OFF position.
3. Hold the throttle fully open and briefly press the starter button or operate the kick starter several times.
4. When the engine is cleared, wait 10 seconds. Then turn the engine stop switch \bigcirc (RUN) and repeat the normal starting procedure, but don't use the choke.

High Altitude Adjustment

For operation above 1,000 m (3,000 feet), it may be necessary to switch to high altitude carburetor jetting (see page 99).

SHIFTING GEARS

After starting the engine and letting it warm up, follow these procedures:

1. With the transmission in neutral, release the parking brake, but continue squeezing the rear brake lever.
2. With the throttle closed, raise the gearshift pedal one full stroke to shift into SL (super low) gear.
3. Release the rear brake lever and increase engine speed by gradually opening the throttle.
4. When speed increases, release the throttle and shift to 1st gear by raising the gearshift pedal one full stroke.
5. Repeat this sequence to progressively upshift to 2nd, 3rd and 4th (top) gear.
6. To downshift, reverse this sequence. Remember to close the throttle each time you shift to the next lower gear.

⚠ WARNING

POTENTIAL HAZARD

Shifting gears without releasing the throttle.

WHAT CAN HAPPEN

Could cause loss of control or cause the ATV to overturn.

HOW TO AVOID THE HAZARD

Always release the throttle when shifting gears.

RIDING IN REVERSE

To shift into reverse, first bring the vehicle to a complete stop and make sure the transmission is in neutral. Then follow these procedures:

1. Be sure there are no obstacles or people in the way.
2. While pushing the reverse selector knob in, squeeze the rear brake lever, then depress the gearshift pedal (page 25).
3. Release the rear brake lever.
4. Open the throttle gradually and ride slowly. Do not open the throttle suddenly or make abrupt turns.
5. To stop, close the throttle and gradually apply both the front and rear brakes. Do not abruptly apply the rear brake by itself.
6. To shift out of reverse and into neutral, raise the gearshift pedal one stroke.

While reading this manual, remember:

▲WARNING

Indicates a strong possibility that serious injury or death may result if instructions are not followed.

⚠ WARNING

POTENTIAL HAZARD

Improperly operating in reverse.

WHAT CAN HAPPEN

You could hit an obstacle or person behind you, resulting in serious injury.

HOW TO AVOID THE HAZARD

When you select reverse gear, make sure there are no obstacles or people behind you. When it is safe to proceed, go slowly.

⚠ WARNING

POTENTIAL HAZARD

Applying only the rear brake abruptly when operating in reverse gear.

WHAT CAN HAPPEN

The front wheels could lift off the ground and the ATV could overturn backwards.

HOW TO AVOID THE HAZARD

Carefully apply both the front and rear brakes when stopping in reverse gear.

MAKING TURNS

To make a turn on level ground, steer the handlebars and lean your body toward the inside of the turn. (Fig 3-8) Leaning helps balance the vehicle, and it feels more comfortable. Leaning into a turn is an important technique to master in riding a FOURTRAX.

To make a sharp turn at low speed, it helps to shift your body slightly forward on the seat (Fig 3-8), and lean inside, as you steer the handlebars. Shifting weight forward allows the rear wheels to turn easier, and it also improves front-wheel steering. Remember to shift your body forward to make sharp low-speed turns and whenever you turn while accelerating from a full stop.

Apply the throttle slowly and gradually when you turn and start up at the same time. During other turns, use the throttle to maintain the desired speed throughout the turn. Practice these techniques on level ground until you are confident in making turns.

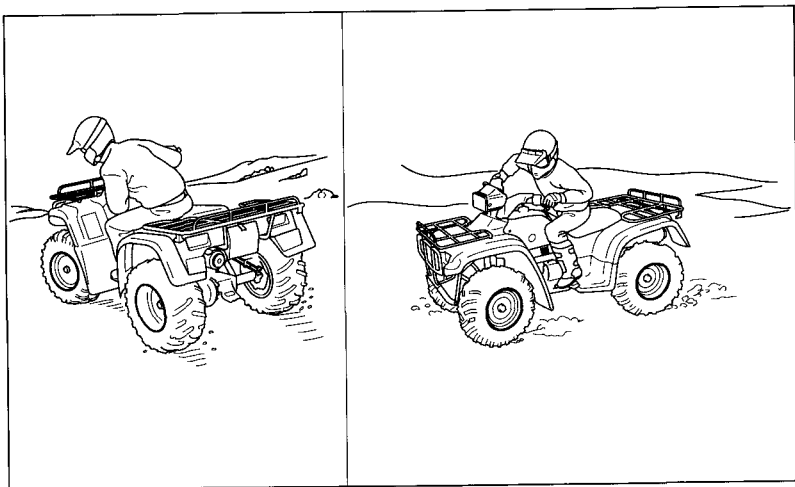


Fig. 3-8

Lean your body to the inside of a turn and forward.

⚠ WARNING

POTENTIAL HAZARD

Turning improperly.

WHAT CAN HAPPEN

The ATV can go out of control, causing a collision or overturn.

HOW TO AVOID THE HAZARD

Always follow proper procedures for turning as described in this Owner's Manual.

Practice turning at low speeds before attempting to turn at faster speeds.

Do not turn at excessive speeds.

The terrain surface can be a major factor affecting turns. Skidding during a turn is more likely to occur on slippery surfaces, such as snow, ice, mud and loose gravel. If you skid on ice, you may lose all directional control. To avoid skidding on slippery terrain, keep your speed low and ride with caution.

If your FOURTRAX skids sideways during a turn, steer in the direction of the skid. Avoid hard braking or accelerating until you have regained directional control.

⚠ WARNING

POTENTIAL HAZARD

Skidding or sliding improperly.

WHAT CAN HAPPEN

You may lose control of this ATV.

You may also regain traction unexpectedly, which may cause the ATV to overturn.

HOW TO AVOID THE HAZARD

Learn to safely control skidding by practicing at low speeds and on level, smooth terrain.

On extremely slippery surfaces, such as ice, go slowly and be very cautious in order to reduce the chance of skidding or sliding out of control.

RIDING UP HILLS

The FOURTRAX's ability to safely climb hills largely depends on the rider's skill and judgment. Begin by practicing on smooth, gentle slopes. As you gain experience, you'll learn the hazards and your own limitations. You may then proceed to ride on more difficult terrain. However, you must be able to decide which hills or hazards might cause the FOURTRAX to overturn. Avoid excessively steep hills.

▲ WARNING

POTENTIAL HAZARD

Operating on excessively steep hills.

WHAT CAN HAPPEN

The vehicle can overturn more easily on extremely steep hills than on level surfaces or small hills.

HOW TO AVOID THE HAZARD

Never operate the ATV on hills too steep for the ATV or for your abilities.

Practice on smaller hills before attempting larger hills.

When climbing hills, you must shift weight toward the front wheels to help keep them on the ground. To do this, shift your body slightly forward on the seat and lean forward. For greater weight shift, move your body farther forward and lean forward.

To climb a hill, take a running start in an appropriate gear and speed for the conditions. Maintain a steady speed as you ascend the hill.

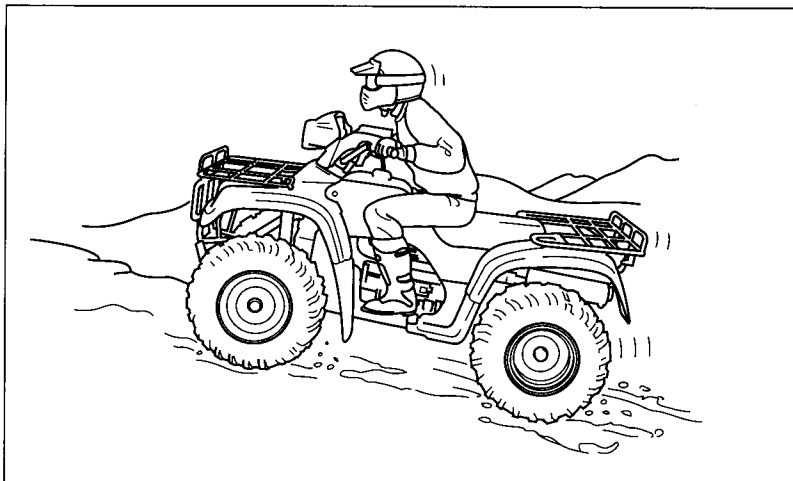


Fig. 3-9

Shift weight forward when climbing hills.

⚠ WARNING

POTENTIAL HAZARD

Climbing hills improperly.

WHAT CAN HAPPEN

Could cause loss of control or cause the ATV to overturn.

HOW TO AVOID THE HAZARD

Always follow proper procedures for climbing hills as described in this Owner's Manual.

Always check the terrain carefully before you start up any hill.

Never climb hills with excessively slippery or loose surfaces.

Shift your weight forward.

Never open the throttle suddenly or make sudden gear changes. The ATV could flip over backward.

Never go over the top of any hill at high speed. An obstacle, a sharp drop, or another vehicle or person could be on the other side of the hill.

If you incorrectly estimate climbing capability or terrain conditions, the FOURTRAX may not have enough power or traction to continue uphill.

If you are about to lose all forward speed:

1. Using the front and rear brakes together, bring the FOURTRAX to a stop with the vehicle pointed straight uphill.

2. Get off the FOURTRAX while you continue holding the brakes.
3. Shift into neutral, set the parking brake and turn the engine off.
4. Then assess the situation.

If the FOURTRAX starts rolling backwards before you begin braking, keep your weight uphill, carefully apply the front brakes first, then carefully apply the rear brake as well. Do not apply either brake abruptly if you are rolling backwards, or the vehicle may overturn.

NOTE:

Remember that operating any brake control with four-wheel drive will cause braking at both the front and rear wheels.

If the FOURTRAX continues sliding backwards after you've applied the brakes, get off and away from the vehicle.

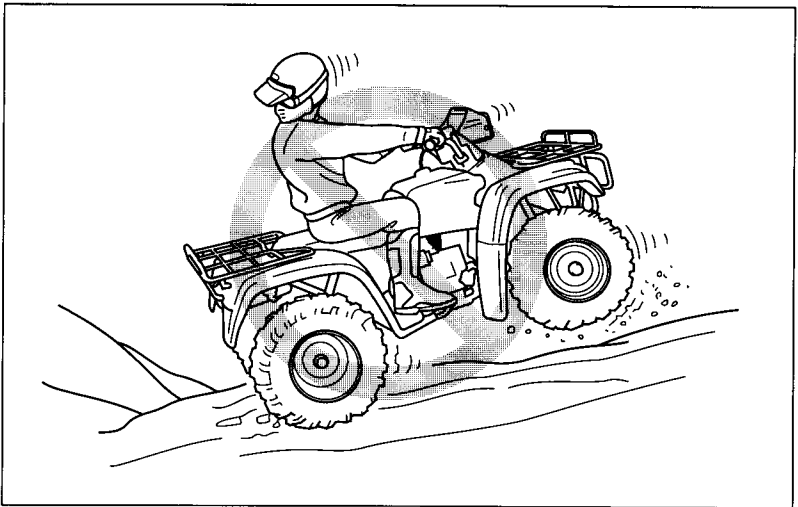


Fig. 3-10 If you roll backwards down a hill, don't apply either brake abruptly.

⚠ WARNING

POTENTIAL HAZARD

Stalling, rolling backwards or improperly dismounting while climbing a hill.

WHAT CAN HAPPEN

Could result in ATV overturning.

HOW TO AVOID THE HAZARD

Use proper gear and maintain steady speed when climbing a hill.

If you lose all forward speed:

Keep weight uphill.

Apply the brakes.

Lock parking brake, after you are stopped.

If you begin rolling backwards:

Keep weight uphill.

Never apply either brake abruptly while rolling backwards.

Apply the front brake first.

Then carefully apply the rear brake, and then lock the parking brake.

Dismount on the uphill side if the vehicle is not pointed straight uphill.

Back the vehicle down the hill, following the instructions in this Owner's Manual.

If the hill is not too steep and you have good footing, you may be able to walk the FOURTRAX back down the hill. Make sure your intended path is clear in case you lose control of the FOURTRAX. If you decide you can walk the FOURTRAX safely:

1. Stand with your body facing downhill, beside the vehicle so you can reach the rear brake lever with your right hand (see Figure 3-11).
2. Be sure your legs are clear of the wheels.
3. Check your footing.
4. Then slowly and carefully back the FOURTRAX down the hill using the rear brake lever to control speed.
5. If you lose control of the FOURTRAX, for your safety, get away from the vehicle.

If the hill is too steep or too slippery, or if you have any doubt whether you can safely walk the FOURTRAX back down the hill, leave the vehicle where it is and get help. If possible, block the wheels so the vehicle won't roll backwards.

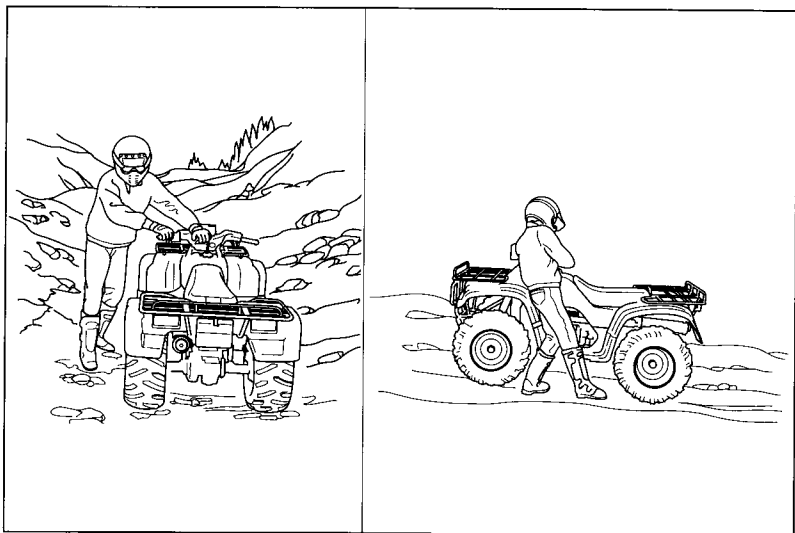


Fig. 3-11 Be sure your legs are clear of the wheels.

Body position for backing down a hill.

While reading this manual, remember:

▲WARNING

Indicates a strong possibility that serious injury or death may result if instructions are not followed.

RIDING DOWN HILLS

It's usually advisable to descend hills with the FOURTRAX pointed straight downhill. Avoid angles that would cause the vehicle to lean sharply to one side.

As you approach a downhill, stop and survey the terrain below. Never ride past the limit of your visibility.

When you've selected a safe downhill path, shift into a low gear, shift your weight back with your arms extended and braced against the handlebars, then go down slowly with the throttle closed.

Do not downshift abruptly while descending a hill.

Use mainly the rear brake to control speed. Avoid using either the front brake or rear brake hard or abruptly when riding down hills.

NOTE:

Remember that operating any brake control with four-wheel drive will cause braking at both the front and rear wheels.

Remember, braking effectiveness is reduced on any hill with a loose surface.

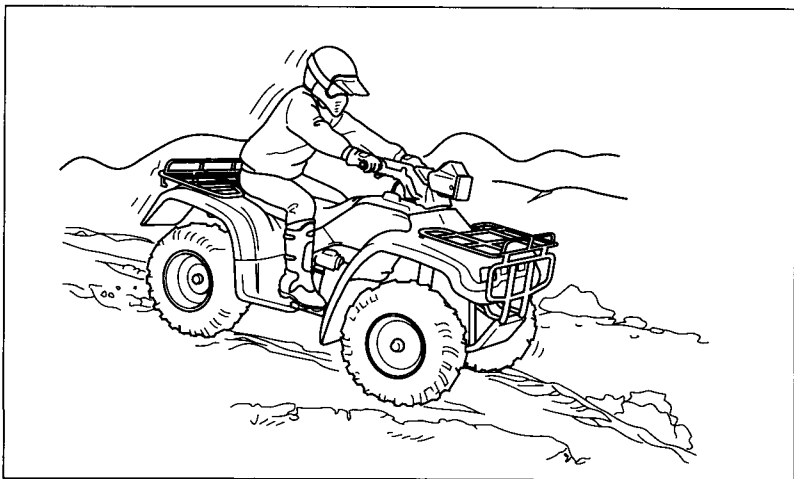


Fig. 3-12

On downhills, shift your weight back.

⚠ WARNING

POTENTIAL HAZARD

Going down a hill improperly.

WHAT CAN HAPPEN

Could cause loss of control or cause ATV to overturn.

HOW TO AVOID THE HAZARD

Always follow proper procedures for going down hills as described in this Owner's Manual.

Note: a special technique is required when braking as you go down a hill.

Always check the terrain carefully before you start down any hill.

Shift your weight backward.

Never go down a hill at high speed.

Avoid going down a hill at an angle that would cause the vehicle to lean sharply to one side. Go straight down the hill where possible.

CROSSING SLOPES

To maintain balance and stability when riding across a slope, you need to shift weight toward the uphill side of the vehicle. To do this, move your body off the center of the seat and lean toward the uphill side. On a slippery or loose surface, you may also need to steer slightly uphill to maintain a straight course across the slope. Avoid crossing hills that are excessively steep, slippery or rough.

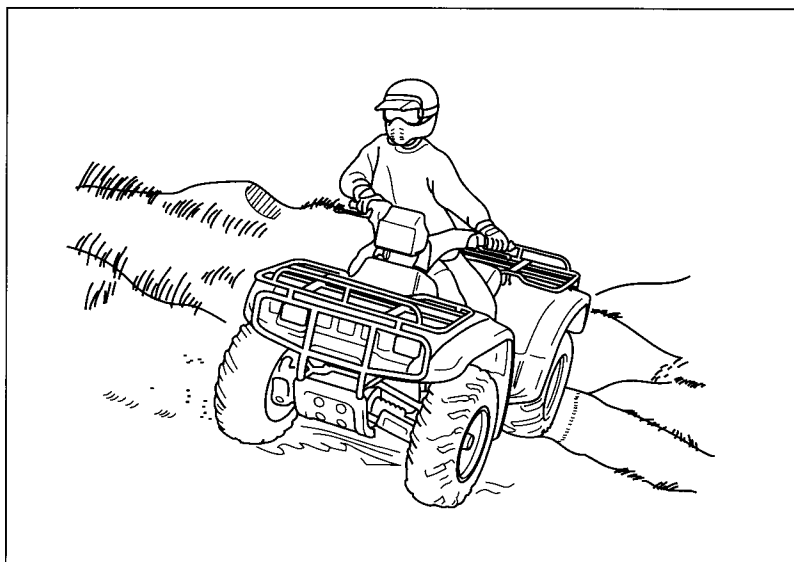


Fig. 3-13

Shift weight uphill when crossing slopes.

MAKING TURNS ON SLOPES

Compared to riding on level ground, you may need to shift more weight and lean more when making turns on slopes. Do not make turns on any slopes until you have first mastered the techniques for making turns on level terrain.

Begin by practicing turning on gentle, smooth slopes before attempting turns on steeper or more difficult terrain. Avoid making turns on very steep, rough or slippery hills.

⚠ WARNING

POTENTIAL HAZARD

Improperly crossing hills or turning on hills.

WHAT CAN HAPPEN

Could cause loss of control or cause ATV to overturn.

HOW TO AVOID THE HAZARD

Never attempt to turn the ATV around on any hill until you have mastered the turning technique as described in this Owner's Manual on level ground.

Be very careful when turning on any hill.

Avoid crossing the side of a steep hill if possible.

When crossing the side of a hill:

Always follow proper procedures as described in this Owner's Manual.

Avoid hills with excessively slippery or loose surfaces.

Shift your weight to the uphill side of the ATV.

RIDING OVER OBSTACLES

Watch out for bumps, rain ruts, potholes and other obstacles in the terrain. When you approach any obstacle, reduce your speed and be prepared to stop.

Never try to ride over large obstacles, such as large rocks or fallen logs.

⚠ WARNING

POTENTIAL HAZARD

Improperly operating over obstacles.

WHAT CAN HAPPEN

Could cause loss of control or a collision. Could cause the ATV to overturn.

HOW TO AVOID THE HAZARD

Before operating in a new area, check for obstacles.

Never attempt to ride over large obstacles, such as large rocks or fallen trees.

When you go over obstacles, always follow proper procedures as described in this Owner's Manual.

RIDING THROUGH WATER

Your FOURTRAX is designed to travel through water up to approximately 250 mm (10 in) deep. Before crossing a stream, make sure the water is not too deep or flowing too fast.

Choose a path where both banks have gradual slopes, then proceed through the water at a slow, steady speed. Watch out for submerged obstacles and slippery rocks. Avoid getting the spark plug or air cleaner wet, as this would cause the engine to stop.

Riding through water can make the brakes less effective than normal. After leaving water, always test both the front and rear brakes. If necessary, apply the brakes repeatedly until they dry out and operate normally. If the brakes don't regain effectiveness, stop your FOURTRAX and follow the procedures on page 128.

▲ WARNING

POTENTIAL HAZARD

Operating this ATV through deep or fast flowing water.

WHAT CAN HAPPEN


Tires may float, causing loss of traction and loss of control, which could lead to an accident.

HOW TO AVOID THE HAZARD

Never operate this ATV in fast flowing water or in water deeper than that specified in this Owner's Manual.

Remember that wet brakes may have reduced stopping ability. Test your brakes after leaving water. If necessary, apply them several times to let friction dry out the linings.

PARKING

Always choose a level place to park. After bringing your FOURTRAX to a stop, hold the brakes while you shift into neutral. Then set the parking brake and turn the ignition switch  (OFF). If you're through riding for the day, also turn the fuel valve OFF.

While reading this manual, remember:

▲ WARNING

Indicates a strong possibility that serious injury or death may result if instructions are not followed.

MAINTENANCE AND REPAIRS

MAINTENANCE SCHEDULE

D U	FREQUENCY ITEMS	Whichever comes first ⇒	INITIAL	REGULAR		Refer to page
			MAINTENANCE	MAINTENANCE	INTERVAL	
		mi	100	600	1200	
		km	150	1000	2000	
NOTE	HOURS	20	100	200		
*	FUEL LINE				I	—
*	THROTTLE OPERATION				I	92
*	CARBURETOR CHOKE				I	97
	AIR CLEANER	(NOTE 1)		C	C	93–95
	AIR CLEANER HOUSING DRAIN TUBE	(NOTE 2)		I	I	96
	SPARK PLUG			I	I	108–109
*	VALVE CLEARANCE		I	I	I	109
	ENGINE OIL		R	R	R	31 100–104
	ENGINE OIL FILTER		R	R	R	102–104
*	ENGINE IDLE SPEED		I	I	I	97–98

I: Inspect and Clean, Adjust,
Lubricate or Replace if necessary.

C: Clean R: Replace

A: Adjust L: Lubricate

D U	FREQUENCY ITEMS	Whichever comes first		INITIAL	REGULAR		Refer to page
		↻		MAINTENANCE	MAINTENANCE INTERVAL		
			mi	100	600	1200	
			km	150	1000	2000	
NOTE	HOURS	20	100	200			
	DRIVE SHAFT BOOTS						138
	REAR FINAL GEAR CASE OIL AND DIFFERENTIAL OIL				(R: EVERY 2YEARS)		105 – 107
*	BRAKE FLUID	(NOTE3)					122 – 123
*	BRAKE SHOE WEAR	(NOTE1)					127
	BRAKE SYSTEM						119 – 128
*	REVERSE LOCK SYSTEM						111
	SKID PLATES, ENGINE GUARD						135
*	CLUTCH SYSTEM						110
*	SUSPENSION						—
*	SPARK ARRESTER				C	C	136 – 137
*	NUTS, BOLTS, FASTENERS						—
**	WHEELS/TIRES						129 – 133
**	STEERING SHAFT HOLDER BEARINGS						—
**	STEERING SYSTEM						—

- * SHOULD BE SERVICED BY YOUR AUTHORIZED HONDA DEALER, UNLESS THE OWNER HAS PROPER TOOLS AND SERVICE DATA AND IS MECHANICALLY QUALIFIED. REFER TO THE OFFICIAL HONDA SERVICE MANUAL.
- ** IN THE INTEREST OF SAFETY, WE RECOMMEND THESE ITEMS BE SERVICED ONLY BY YOUR AUTHORIZED HONDA DEALER.

NOTES: 1. Service more frequently when riding in dusty areas, sand or snow.
 2. Service more frequently after riding in very wet or muddy conditions.
 3. Replace every 2 years. Replacement requires mechanical skill.

MAINTENANCE PRECAUTIONS

Before beginning any maintenance or repairs, read the appropriate instructions and warnings and make sure you have all the tools and materials you will need.

Choose a clean area that is level and has good ventilation and good light. Make sure the engine is off unless otherwise instructed. If you need to replace any parts, remember to use only new genuine Honda parts or their equivalents.

⚠ WARNING

POTENTIAL HAZARD

Failure to properly maintain the ATV.

WHAT CAN HAPPEN

Increases the possibility of an accident or equipment damage.

HOW TO AVOID THE HAZARD

Always follow the inspection and maintenance procedures and schedules described in this Owner's Manual.

Use only genuine Honda replacement parts or parts of equivalent quality.

⚠ WARNING

POTENTIAL HAZARD

Performing maintenance operations with the engine running.

WHAT CAN HAPPEN

Increases the chances of injury from moving parts or hot surfaces.

HOW TO AVOID THE HAZARD

Unless otherwise stated, always turn the engine off before performing any maintenance operations.

TOOL KIT

A tool kit (Fig. 4-1) is provided with your FOURTRAX and stored in the storage compartment below the rear cargo rack.

The tools in the kit are sufficient to perform routine maintenance and simple repairs. Any extensive work requiring additional tools should be performed by your authorized Honda dealer.

The tool kit includes the following items:

- * Standard/Phillips screwdriver
- * Screwdriver handle
- * 10 × 12 mm open end wrench
- * 14 × 17 mm open end wrench
- * Spark plug wrench and handlebar
- * Pliers
- * Tool case

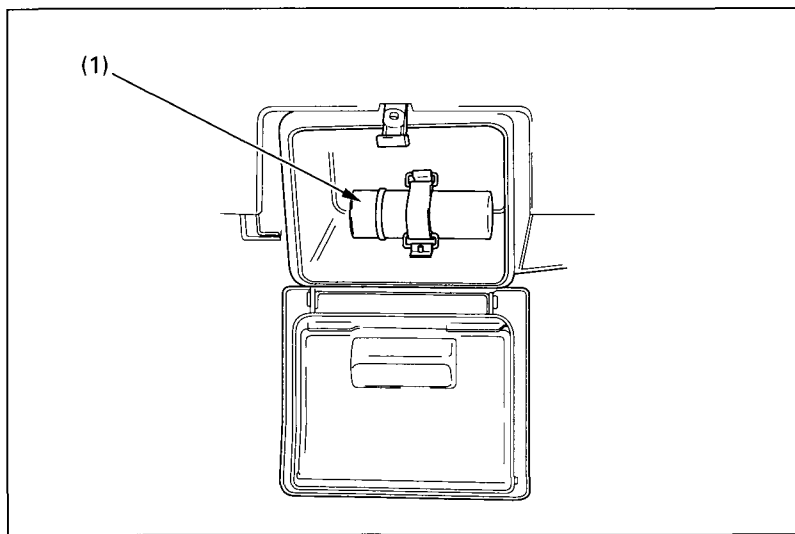


Fig. 4-1

(1) Tool kit

While reading this manual, remember:

▲ WARNING Indicates a strong possibility that serious injury or death may result if instructions are not followed.

FUEL SYSTEM

FUEL

Refueling

The fuel tank capacity, including reserve, is:

12.0 l (3.17 US gal , 2.64 Imp gal)

The reserve fuel supply is:

2.7 l (0.71 US gal , 0.59 Imp gal)

To open the fuel fill cap (1), pull out the breather tube (2) from the handle cover hole (3). Then turn the fuel fill cap counterclockwise.

Do not overfill (make sure there is no fuel in the filler neck (4)).

After refueling, be sure to tighten the fuel fill cap firmly by turning it clockwise until it clicks.

Insert the breather tube into the handle cover hole.

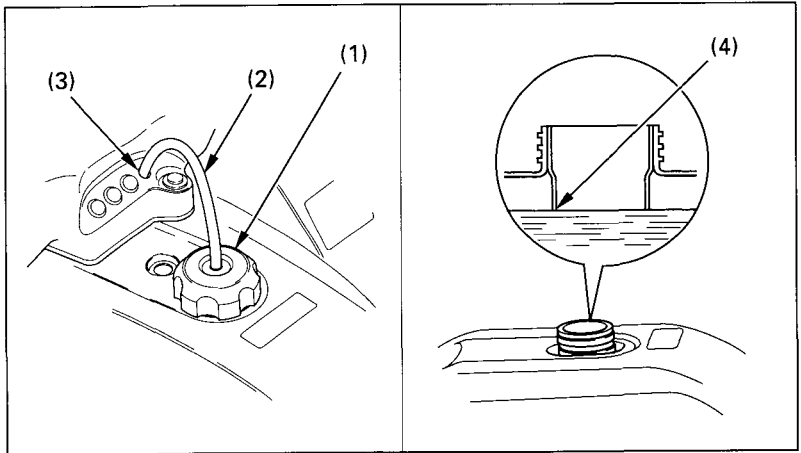


Fig. 4-2

- (1) Fuel fill cap
- (2) Breather tube
- (3) Handlebar cover hole

- (4) Filler neck

⚠ WARNING

POTENTIAL HAZARD

Refueling this ATV or handling fuel improperly.

WHAT CAN HAPPEN

The fuel could explode or ignite.

HOW TO AVOID THE HAZARD

Always refuel this ATV and handle fuel in a well-ventilated area with the engine off. Do not smoke or allow flames or sparks in the area where fuel is handled.

Do not overfill the tank. Be careful not to spill fuel when refueling. After refueling, make sure the fuel fill cap is closed properly and securely.

If any fuel is spilled, make sure the area is dry before starting the engine.

⚠ WARNING

POTENTIAL HAZARD

Prolonged contact of fuel with the skin.
Breathing fuel vapor.

WHAT CAN HAPPEN

The fuel can cause skin irritation.
Fuel vapor could cause lung damage.

HOW TO AVOID THE HAZARD

Avoid repeated or prolonged contact of fuel with the skin or breathing of fuel vapor.

KEEP OUT OF REACH OF CHILDREN.

Fuel Recommendations

Your engine is designed to use any petrol that has a pump octane number $(R + M)/2$ of 86 or higher, or a research octane number of 91 or higher. (Petrol pumps at service stations normally display the pump octane number.)

Use unleaded fuel only because it produces fewer engine and spark plug deposits and extends the life of the exhaust system. Never use stale or contaminated petrol or an oil/petrol mixture. Avoid getting dirt, dust or water in the fuel tank.

Using a lower octane than recommended can cause persistent “pinging” or heavy “spark knock” (a metallic rapping noise). If severe, these can lead to engine damage.

CAUTION:

If “spark knock” or “pinging” occurs at a steady engine speed under normal load, change brands of petrol. If spark knock or pinging persists, consult your authorized Honda dealer. Failure to do so is considered misuse, and damage caused by misuse is not covered by Honda’s Limited Warranty.

Petrol Containing Alcohol

If you decide to use a petrol containing alcohol (gasohol), be sure its octane rating is at least as high as that recommended above.

There are two types of gasohol: One contains ethanol, and the other contains methanol. Do not use gasohol that contains more than 10% ethanol. Do not use gasohol that contains methanol (methyl or wood alcohol) unless it also contains cosolvents and corrosion inhibitors for methanol. Never use petrol containing more than 5% methanol, even if it has cosolvents and corrosion inhibitors.

NOTE:

- * Engine performance problems resulting from the use of fuels that contain alcohol are not covered under the warranty. Honda cannot endorse the use of fuels containing methanol since evidence of their suitability is not yet complete.
- * Before buying fuel from an unfamiliar station, try to find out if the fuel contains alcohol. If it does, confirm the type and percentage of alcohol used. If you notice any undesirable operating symptoms while using a petrol that contains alcohol, or one that you think contains alcohol, switch to a petrol that you know does not contain alcohol.

THROTTLE

Throttle Cable and Lever

Check the condition of the throttle cable and the operation of the throttle lever. Make sure the cable does not bind or interfere with smooth operation of the throttle in any steering position. If the cable is worn or kinked, have it replaced by your Honda dealer.

Throttle Free Play

Throttle free play, measured at the tip of the throttle lever (Fig. 4-3), should be:

3–8 mm (0.1–0.3 in)

To adjust throttle free play:

1. Slide the rubber sleeve (1) back to expose the throttle cable adjuster (2).
2. Loosen the lock nut (3), then turn the adjuster to obtain the correct free play.
3. Tighten the lock nut and reinstall the sleeve.

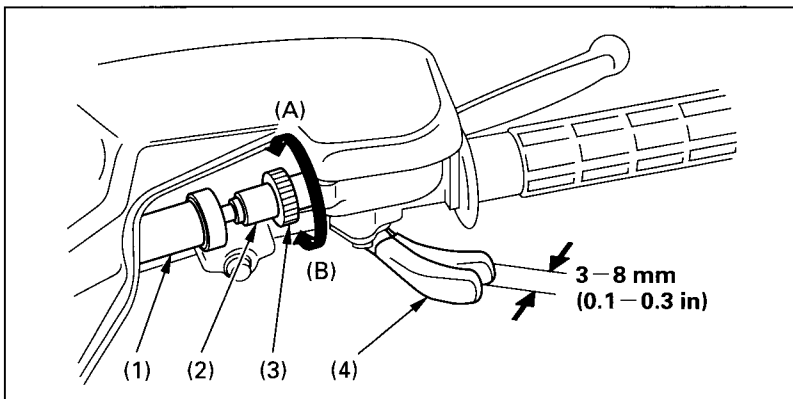


Fig. 4-3 (1) Rubber sleeve (4) Throttle lever
 (2) Cable adjuster (A) To decrease free play
 (3) Lock nut (B) To increase free play

Other Checks

Check the throttle cable for kinks and signs of wear that could cause stretching or failure. Lubricate the throttle cable with a commercially available lubricant to prevent premature wear and corrosion.

AIR CLEANER

Air Cleaner

The air cleaner accumulates dust and must be cleaned periodically. If the FOURTRAX is ridden in dusty areas, the air cleaner must be cleaned at more frequent intervals than specified in the Maintenance Schedule.

If the FOURTRAX is submerged in water, the air cleaner should be checked and water should be drained from the air cleaner housing before starting the engine.

To clean the air cleaner:

1. Remove the seat by pulling up the seat lock lever (1) (Fig. 4-4).
2. Unlatch the four retainer clips (2) and remove the air cleaner housing cover (3).

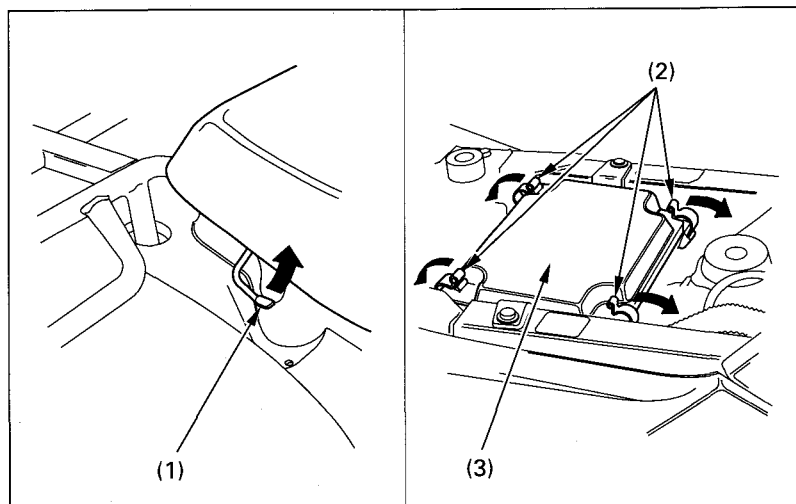


Fig. 4-4 (1) Seat lock lever

(2) Retainer clips
(3) Air cleaner housing cover

7. Soak the air cleaner in clean gear oil (SAE 80—SAE 90) or an equivalent until saturated, then squeeze out the excess oil.

CAUTION:

Twisting the air cleaner when squeezing out excess oil could damage the air cleaner.

8. Reassemble by reversing the disassembly sequence.

Dust cover

Do not push the dust cover (1) (Fig. 4-6) into the air cleaner housing (2). If the dust cover is dirty, clean it.

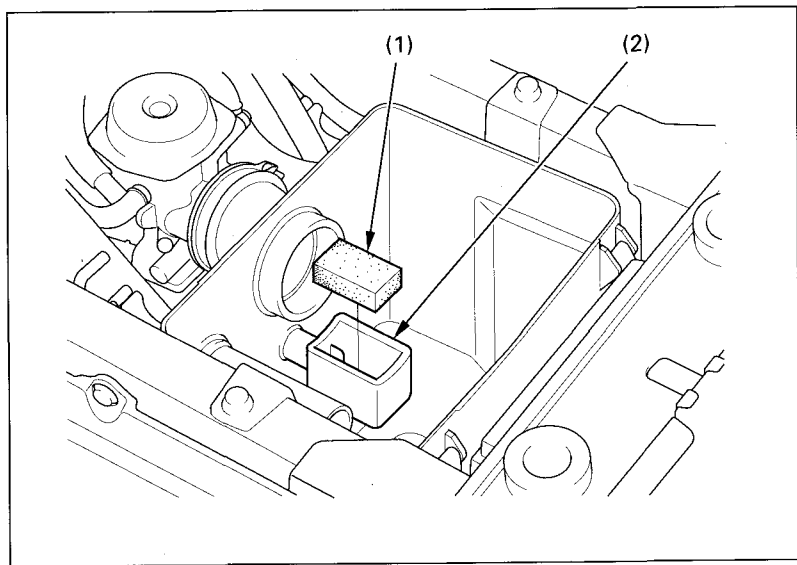


Fig. 4-6

(1) Dust cover
(2) Breather joint

Air Cleaner Housing Drain Tube

The air cleaner housing drain tube (Fig. 4-7) should be serviced in accordance with the Maintenance Schedule. (Riding through water may require more frequent inspection.) If deposits can be seen in the drain tube, the tube must be cleaned before starting the vehicle.

To clean the drain tube:

1. Remove the drain tube (1) by removing the clip (2).
2. Drain the deposits.
3. Reinstall the drain tube, securing it with the clip.

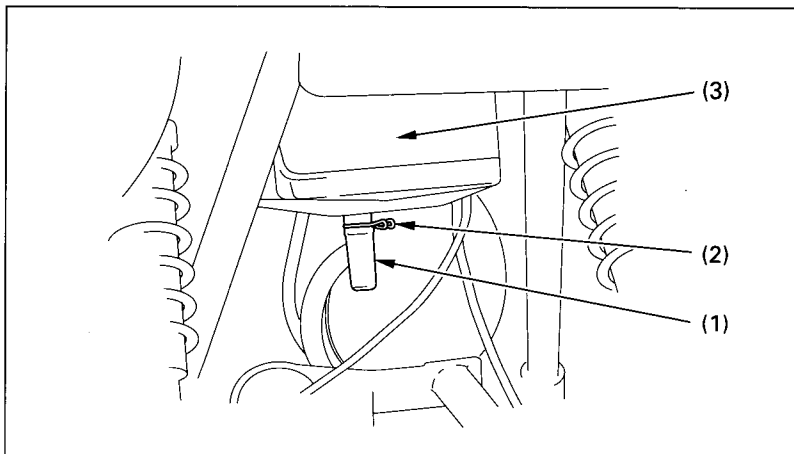


Fig. 4-7

(1) Drain tube

(2) Clip

(3) Air cleaner housing

CARBURETOR

Choke Cable and Lever

Check the condition of the choke cable (Fig. 4-8) and the operation of the choke lever (2). If the cable is damaged or kinked, have it replaced by your Honda dealer.

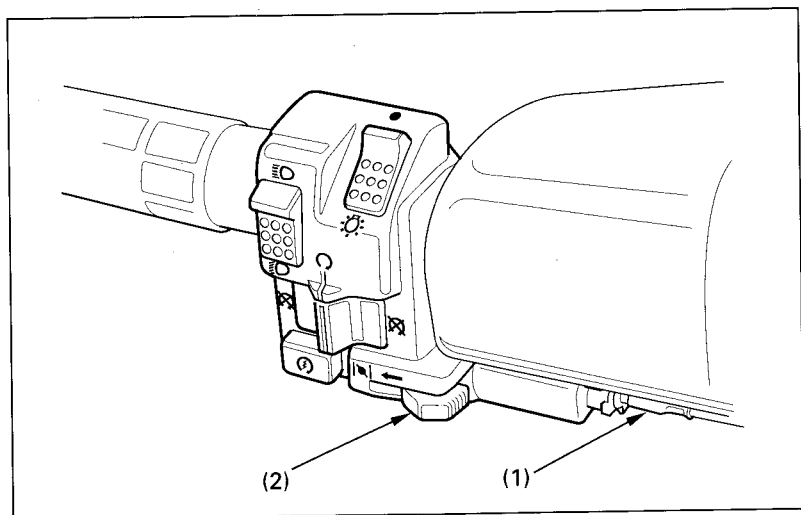


Fig. 4-8 (1) Choke cable (2) Choke lever

Adjusting Idle Speed and Air-Fuel Mixture

NOTE:

Do not try to compensate for faults in other systems by adjusting the carburetor.

Before adjusting the idle speed and air-fuel mixture, unsnap the right side cover. (Fig4-9)

To adjust the idle speed:

1. Warm up the engine. The engine must be warm for accurate idle adjustment. Ten minutes of stop-and-go riding is sufficient.
2. Adjust idle speed and turning the throttle stop screw (Fig. 4-9).

Idle Speed:

$1,400 \pm 100 \text{ min}^{-1} (\text{rpm})$

To adjust the air-fuel mixture:

1. Turn the pilot screw (2) clockwise until you hear the engine miss or decrease in speed.
2. Then turn the screw counterclockwise until the engine misses or decreases in speed again.
3. Center the pilot screw exactly between the two extreme positions. Usually, the correct setting (between extremes of rich and lean) will be found at 3 turns open from a fully closed position.
4. If idle speed changes after adjusting the fuel mixture, readjust the throttle stop screw.

Reinstall the side cover.

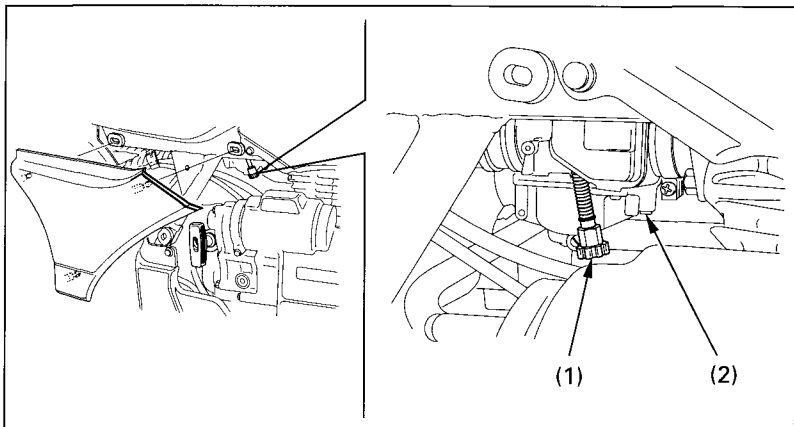


Fig. 4-9 (1) Throttle stop screw

(2) Pilot screw

High Altitude Adjustment

When operating this FOURTRAX at altitudes ranging above 1,000 m (3,000 feet), the air-fuel mixture becomes overly rich. This may result in poor engine performance and increased fuel consumption.

A high altitude jet is available to compensate for high altitude richness. For those who are mechanically proficient and have the necessary tools, installation and adjustment procedures are given in the official Honda Service Manual available from your Honda dealer. All others should have this carburetor modification performed by an authorized Honda dealer.

CAUTION:

Sustained operation with the high altitude jet at altitudes below 1,500 m (5,000 feet) may cause engine overheating and damage.

Altitude range	Main jet	Pilot screw	Throttle stop screw
0–1,500 m (0–5,000 feet)	No. 130	Factory preset	Factory preset
1,000–2,500 m or higher (3,000–8,000 feet)	No. 125	Screw in 3/4 turn clockwise from factory preset	Screw in 1/8 turn clockwise from factory preset

LUBRICATION

ENGINE OIL

Checking Engine Oil Level and Adding Oil

Check the engine oil level each day before operating your FOURTRAX and add oil if needed.

To check the oil level:

1. Make sure the vehicle is on level ground.
2. Start the engine in a well-ventilated area and let it idle for a few minutes.
3. Stop the engine.
4. After a few minutes, remove the oil filler cap/dipstick (Fig. 4-10) from the rear crankcase cover and wipe it clean.
5. Insert the dipstick without screwing it in, then remove the dipstick and check the oil level. The oil level should be between the upper level mark (2) and the lower level mark (3) on the dipstick.
6. If required, add the specified oil into the filler cap hole, up to the upper level mark on the dipstick. Do not overfill.
7. Reinstall the oil filler cap/dipstick.

CAUTION:

Running the engine with improper oil level can cause serious engine damage.

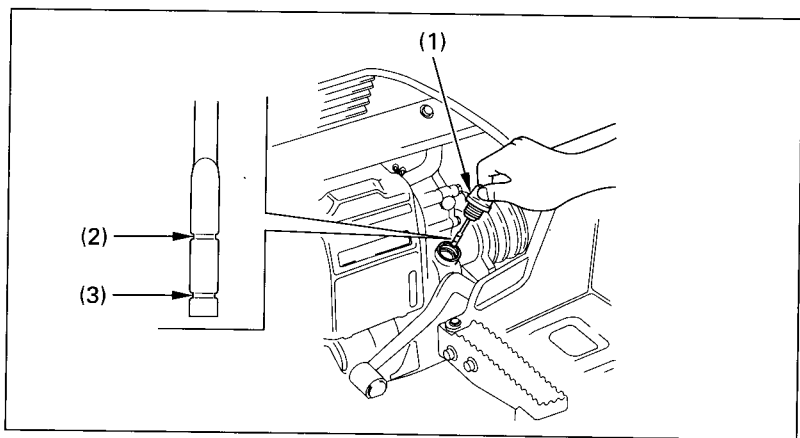


Fig. 4-10 (1) Oil filler cap/dipstick (2) Upper level mark
(3) Lower level mark

Engine Oil Recommendations

Recommended Oil Viscosity: SAE 10W-40. Other viscosities shown in Fig.4-10 may be used when the average temperature in your riding area is within the indicated range.

USE HONDA 4-STROKE OIL OR AN EQUIVALENT.

Do not use oils with graphite or molybdenum additives. They may adversely affect clutch operation.

Use only high detergent, premium quality motor oil certified to meet API Service Classification SE, SF or SG. Motor oils intended for Service SE, SF or SG will show this designation on the container. The use of special oil additives is unnecessary and will only increase operating expenses.

NOTE:

- * Engine oil is a major factor affecting the performance and service life of the engine. Nondetergent, vegetable, or castor based racing oils are not recommended.

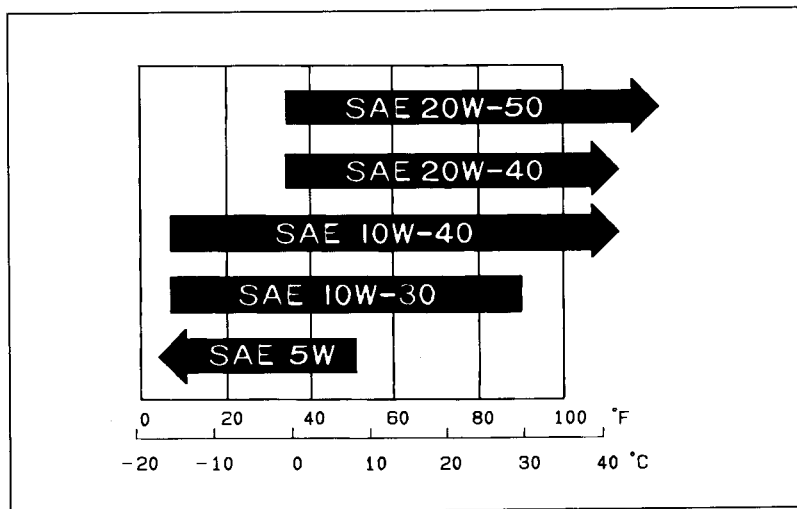


Fig. 4-11

Recommended oil viscosities

Changing the Engine Oil and Oil Filter

Engine oil should be changed in accordance with the Maintenance Schedule. Use motor oils of the grade and viscosity recommended.

When changing oil, drain the oil from the crankcase while the engine is still warm. This will ensure complete and rapid draining.

To change the oil and oil filter:

1. With the FOURTRAX on level ground, remove the oil filler cap/dipstick from the rear crankcase cover (Fig. 4-10).
2. Place an oil drain pan under the crankcase and remove the oil drain plug (Fig. 4-12).

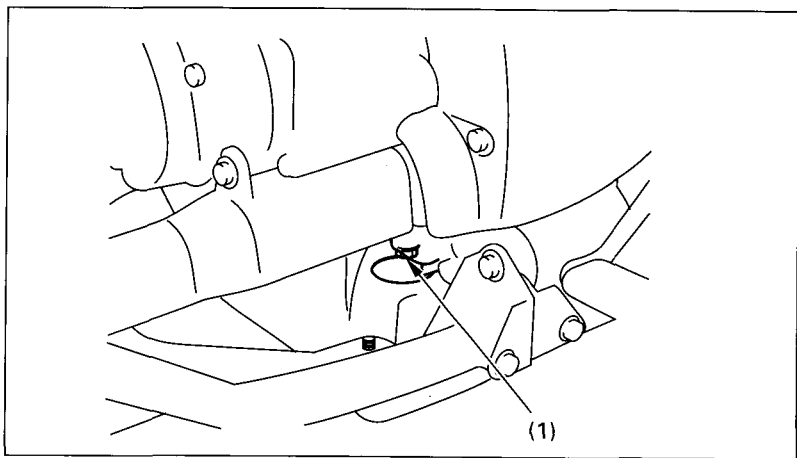


Fig. 4-12

(1) Oil drain plug

3. Remove the oil filter cover (1) (Fig. 4-13) by removing the bolts. Let the remaining oil drain out. Discard the oil filter (2).
4. Check that the oil filter cover O-rings (3) are in good condition and then install a new oil filter. Use only the Honda genuine oil filter or a filter of equivalent quality specified for your model. Using the wrong Honda filter or a non-Honda filter which is not of equivalent quality may cause engine damage.
5. Install the filter with the rubber seal facing out, away from the engine. You will see the "OUTSIDE (TOWARDS FILTER COVER)" mark on the filter body, near the seal.

CAUTION:

Improper installation of the oil filter can cause serious engine damage.

6. Reinstall the oil filter cover (1), making sure the bolts are tightened securely.

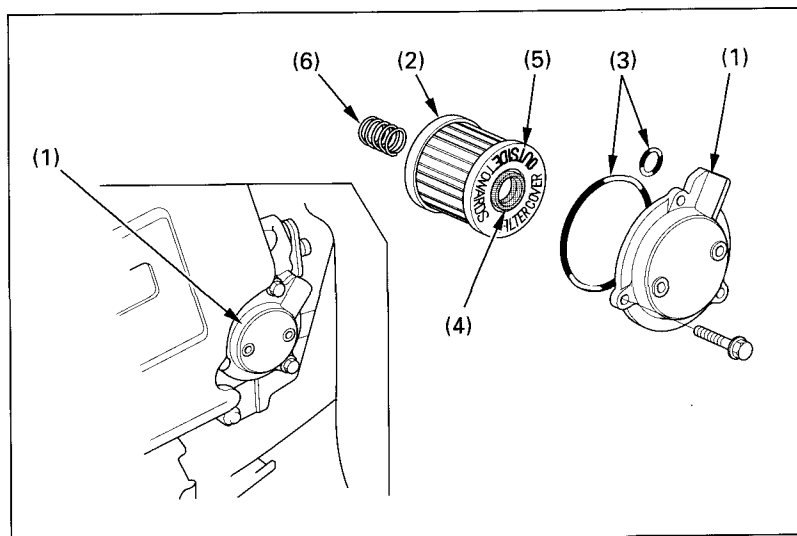


Fig. 4-13 (1) Oil filter cover
(2) Oil filter
(3) O-rings

(4) Rubber seal
(5) OUT-SIDE mark
(6) Spring

7. Check that the drain plug sealing washer is in good condition, then reinstall the oil drain plug securely.
8. Fill the crankcase with the recommended grade oil; approximately: 2.1 ℓ (2.2 US qt, 1.8 Imp qt)
9. Reinstall the oil filler cap/dipstick.
10. Start the engine and let it idle for a few minutes.
11. Stop the engine and check the oil level. Make sure the oil is between the upper and lower level marks on the dipstick. If necessary, add more oil but do not overfill.

CAUTION:

Running the engine with improper oil level can cause serious engine damage.

NOTE:

To protect the environment, please dispose of used engine oil properly. We suggest you place used oil in a sealed container and take it to your local service station for reclamation. Do not put it in the trash or pour it on the ground.

While reading this manual, remember:

▲WARNING

Indicates a strong possibility that serious injury or death may result if instructions are not followed.

REAR FINAL GEAR CASE OIL

Change the oil in the rear final gear case when specified by the Maintenance Schedule. Change the oil with the final gear case warm, and the FOURTRAX on level ground to assure complete and rapid draining.

To change the rear final gear case oil:

1. To drain the oil, first place an oil drain pan under the oil drain plug (Fig. 4-14).
2. Remove the oil filler cap (1) and the drain plug (2).
3. After the oil has completely drained, reinstall the drain plug.

Drain Plug Torque:

12 N·m (1.2 kgf·m , 9 lbf·ft)

4. Fill the gear case with the recommended oil.

Rear final gear case oil:

90 cm³ (3.0 US oz , 3.2 Imp oz)

Recommended oil:

HYPOID GEAR OIL SAE 80

Remove the oil level check bolt (3).

Make sure the oil level reaches the oil level check hole (4).

5. Install the oil filler cap and oil level check bolt.

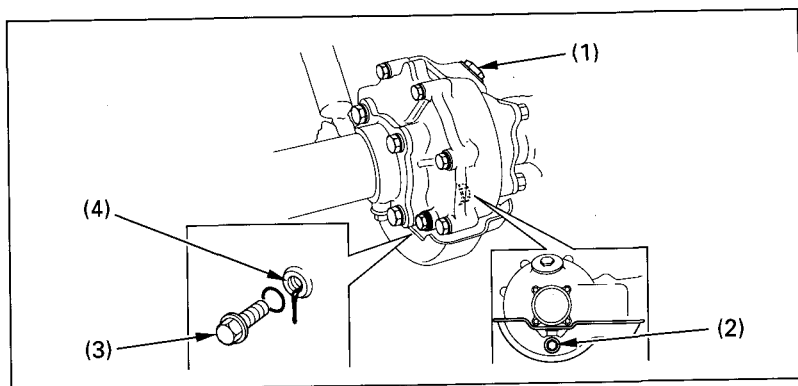


Fig. 4-14 (1) Oil filler cap
(2) Drain plug

(3) Oil level check bolt
(4) Lower edge of oil level
check hole

DIFFERENTIAL OIL

Change the oil in the differential when specified by the Maintenance schedule. Change the oil with the differential warm, and the FOURTRAX on level ground to assure complete and rapid draining.

To change the differential oil:

1. To drain the oil, first place an oil drain pan under the oil drain plug (Fig. 4-15).
2. Remove the oil filler cap (1) and the drain plug (2).
3. After the oil has completely drained, reinstall the drain plug.
Drain Plug Torque:
12 N·m (1.2 kgf·m , 9 lbf·ft)
4. Fill the differential with the recommended oil.

Differential oil:

190 cm³ (6.4 US oz , 6.7 Imp oz)

Recommended oil:

HYPOID GEAR OIL SAE 80

Make sure the oil level reaches the lower edge of the inspection hole (3).

5. Install the oil filler cap.

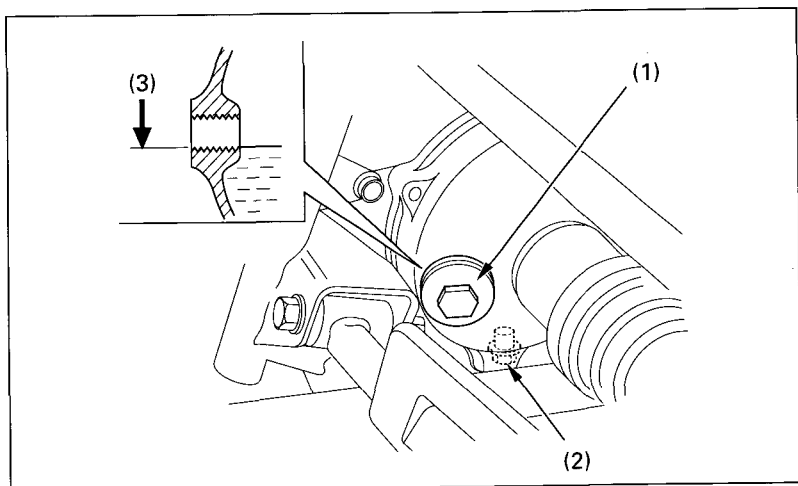


Fig. 4-15 (1) Oil filler cap
(2) Oil drain plug

(3) Lower edge of inspection hole

