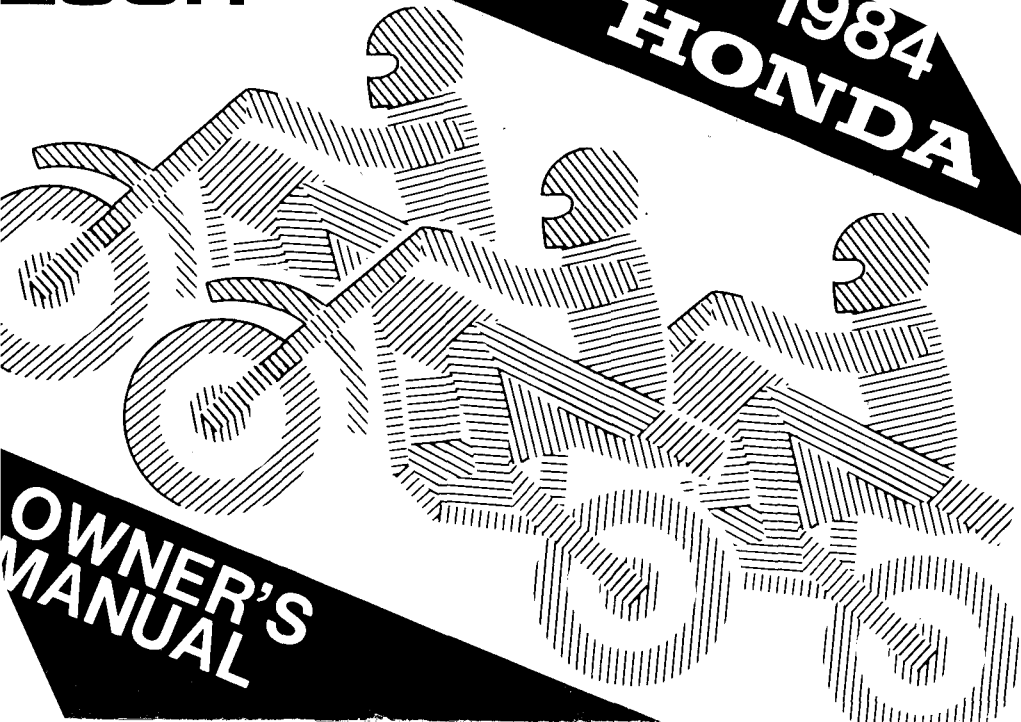


Z50R

**1984
HONDA**

**OWNER'S
MANUAL**



IMPORTANT NOTICE

- **OPERATOR ONLY. NO PASSENGER.**

This motorcycle is designed and constructed as an operator only model. The seating configuration does not safely permit the carrying of a passenger. Do not exceed the vehicle capacity load as shown on the tire information label.

- **FOR OFF-ROAD USE ONLY.**

This vehicle is designed and manufactured for off-road use only. It does not conform to Federal Motor Vehicle Safety Standards, and operation on public streets, roads, or highways is illegal. The vehicle is equipped with a USDA approved spark arrester. Obey local laws and regulations.

- **READ OWNER'S MANUAL CAREFULLY.**

- **NOT RECOMMENDED FOR CHILDREN UNDER 7 YEARS OLD.**

Pay special attention to statements preceded by the following words.

 **WARNING**

Indicates a strong possibility of severe personal injury or loss of life if instructions are not followed.

CAUTION:

Indicates a possibility of personal injury or equipment damage if instructions are not followed.

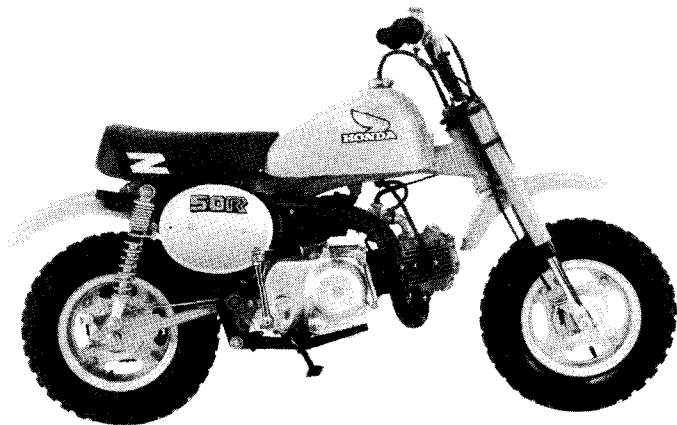
NOTE:

Gives helpful information.

This manual should be considered a permanent part of the vehicle and should remain with the vehicle when resold.

**HONDA Z50R
OWNER'S MANUAL**

1984



All information in this publication is based on the latest product information available at the time of approval for printing. HONDA MOTOR CO., LTD. reserves the right to make changes at any time without notice and without incurring any obligation. No part of this publication may be reproduced without written permission.

© Honda Motor Co., Ltd. 1983

WELCOME,

The motorcycle presents you a challenge to master the machine, a challenge to adventure. You can ride over many types of terrain on a vehicle that responds to your commands as no other does. Unlike an automobile, there is no metal cage around you. Like an airplane, a pre-ride inspection and regular maintenance are essential to your safety. Your reward is freedom.

To meet the challenges safely, and to enjoy the adventure fully, you should become thoroughly familiar with this owner's manual **BEFORE YOU RIDE THE MOTORCYCLE.**

When service is required, remember that your Honda dealer knows your motorcycle best. If you have the required mechanical "know-how" and tools, your dealer can supply you with an official Honda Shop Manual to help you perform many maintenance and repair tasks.

Pleasant riding, and thank you for choosing a Honda!

CONTENTS

	Page		Page
MOTORCYCLE SAFETY	1	Contact Breaker Point Gap	
Message To Parents	1	and Ignition Timing	28
Protective Apparel	3	Valve Clearance	29
Modifications	3	Cam Chain	31
Loading and Accessories	4	Air Cleaner	32
DESCRIPTION	5	Spark Arrester	33
Parts Location	5	Throttle Cable	34
Serial Numbers	8	Carburetor	35
Color label	9	Fuel Filter	36
Parts Function	9	Clutch	36
Fuel	10	Drive Chain	37
Engine Oil	12	Front Brake	41
Tires	14	Rear Brake	43
OPERATION	16	Front Suspension	44
Pre-ride Inspection	16	Rear Suspension	45
Starting the Engine	17	Side Stand	45
Break-in	19	Front Wheel Removal	46
Riding	19	Rear Wheel Removal	47
Braking	21	CLEANING	48
Parking	21	STORAGE GUIDE	49
Tool Kit	22	NOISE EMISSION CONTROL	
MAINTENANCE	23	SYSTEM (USA ONLY)	51
Maintenance Schedule	24	SPECIFICATIONS	52
Engine Oil	26		
Spark Plug	27		

MOTORCYCLE SAFETY

MESSAGE TO PARENTS

This motorcycle is designed for junior riders (rider weight of **150 pounds** or less). It is a fine learning motorcycle as long as the following precautions are observed:

- * The parent or instructor must be fully familiar with the motorcycle, the motorcycle controls, and the control functions before starting to teach a junior rider. Both instructor and student must fully understand everything in this manual before riding instruction begins.
- * The Z50R is an **OPERATOR ONLY** model. The rider weight limit of **150 pounds** must be observed.
- * The student rider must be of sufficient size to hold the motorcycle up while straddling it with both feet on the ground. The rider must also have

sufficient strength to pick up the motorcycle if it is on its side.

- * The practice location must be a level, uncongested off-road area free of obstacles.
- * It is illegal to ride the Z50R on public streets, roads or highways. It must be ridden only in off-road areas where such activities are permitted. If it becomes necessary to cross a public roadway, remember to get off the Z50R and push it across.
- * For safety, the Z50R must be properly maintained. Be sure to make a "Pre-ride Inspection" before riding and be sure to impress the student rider with the importance of checking all the items thoroughly before riding the motorcycle.

- * A prime objective in the instruction process is developing the student's self-confidence. This self-confidence comes with a total familiarization with the motorcycle controls and their functions, plus lots of PRACTICE.
- * Always obey local off-road riding laws and regulations.
- * Obtain permission to ride on private property. Avoid posted areas and obey "no trespassing" signs.
- * When basic riding techniques have been mastered by the young rider remember these next few words of caution: The young rider should always ride in the company of an adult on another motorcycle so they can assist each other in the event of trouble.
- * Familiarity with the motorcycle is critically important should a problem occur far from help.
- * Caution the young rider never to ride beyond his ability and experience or faster than conditions warrant.
- * If you are not familiar with the terrain lead the way and ride cautiously. Hidden rocks, holes or ravines could spell trouble.

PROTECTIVE APPAREL

1. Most motorcycle accident fatalities are due to head injuries: **ALWAYS** wear a helmet. You should also wear a face shield or goggles, boots, gloves, and protective clothing.
2. The exhaust system becomes very hot during operation, and it remains hot after operation. Never touch any part of the hot exhaust system. Wear clothing that fully covers your legs.
3. Do not wear loose clothing which could catch on the control levers, kickstarter, footpegs, drive chain, or wheels.

MODIFICATIONS

WARNING

- * *Modification of the motorcycle, or removal of original equipment, may render the vehicle unsafe or illegal. Obey all federal, state, and local equipment regulations.*
- * *Spark arresters and mufflers are required in most areas. Don't modify your exhaust system.*
- * *Remember that excessive noise bothers everyone and creates a bad image for motorcycling.*

LOADING AND ACCESSORIES

WARNING

** A motorcycle is sensitive to changes in weight distribution. Improper loading of cargo and mounting of accessories can impair the motorcycle's stability and performance. To prevent an accident, use extreme care when mounting accessories and riding with cargo.*

These general guidelines may help you decide whether or how to equip your motorcycle:

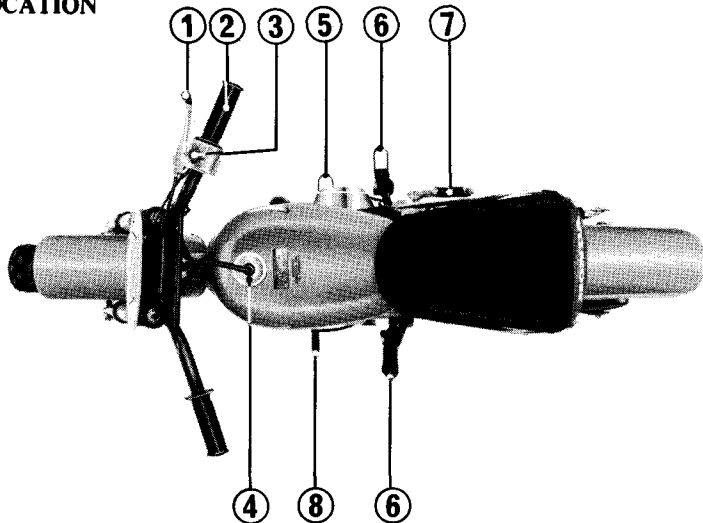
The vehicle capacity load is **150 lbs.** The combined weight of the rider and cargo must not exceed this limit.

1. Keep cargo and accessory weight low and close to the center of the motorcycle. Load weight equally on both sides to minimize imbalance. As weight is located farther from the motorcycle's center of gravity, handling is proportionally affected.

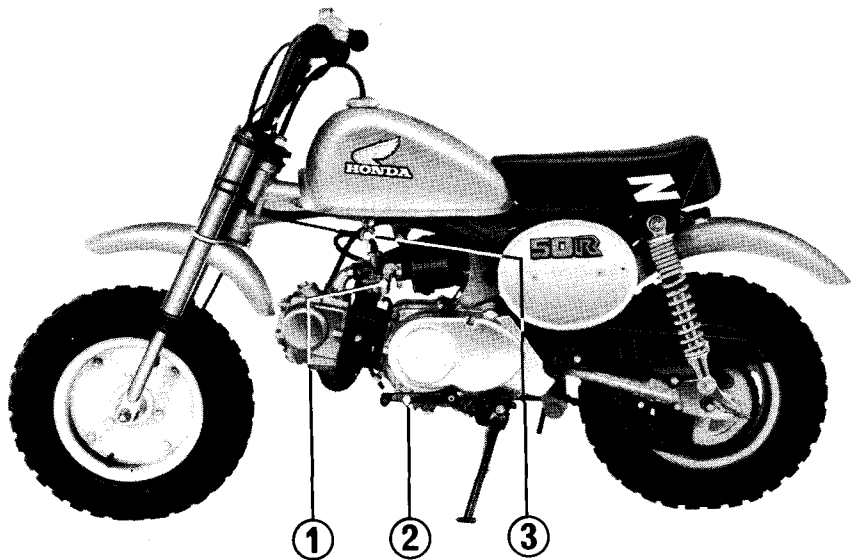
2. All cargo and accessories must be secure for stable handling. Recheck security frequently.
3. Do not attach large or heavy items to the handlebars, front forks, or fender. Unstable handling or slow steering response may result.

DESCRIPTION

PARTS LOCATION



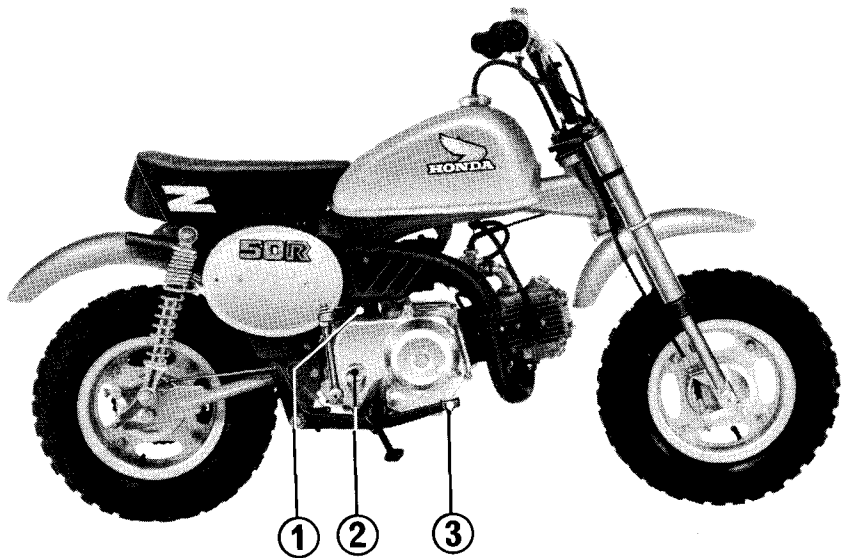
- | | | | |
|-----------------------|-------------------|------------------------|---------------------|
| (1) Front brake lever | (2) Throttle grip | (3) Engine stop switch | (4) Fuel tank cap |
| (5) Rear brake pedal | (6) Footpeg | (7) Kickstarter | (8) Gearshift pedal |



(1) Choke lever

(2) Gearshift pedal

(3) Fuel valve



(1) Kickstarter

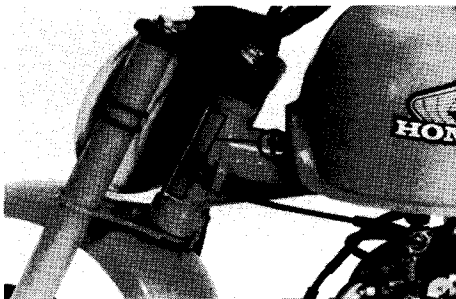
(2) Oil filler cap

(3) Rear brake pedal

SERIAL NUMBERS

The frame and engine serial numbers are required when registering your motorcycle. They may also be required by your dealer when ordering replacement parts. The frame serial number (1) is stamped on the left of the steering head.

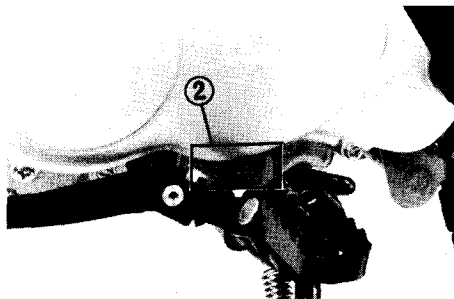
FRAME NO. _____



(1) Frame serial number

The engine serial number (2) is located on the left side of the engine. Record the numbers here for your reference.

ENGINE NO. _____

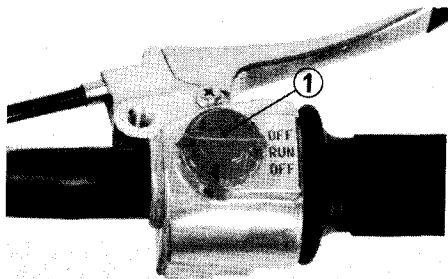


(2) Engine serial number

PARTS FUNCTION

Engine Stop Switch

The three-position engine stop switch (1) is next to the throttle grip. In RUN the engine will operate. In either OFF position the engine will not operate.



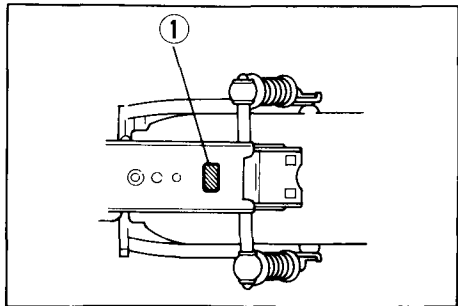
(1) Engine stop switch

COLOR LABEL

The color label is attached to the frame below the seat. It is helpful when ordering replacement parts. Record the model and color here for your reference.

MODEL _____

COLOR _____



(1) Color label

FUEL

Fuel Valve

The three way fuel valve (1) is under the left side of the fuel tank.

OFF

At **OFF** , fuel cannot flow from the tank to the carburetor. Turn the valve off whenever the motorcycle is not in use.

ON

At **ON** , fuel will flow from the main fuel supply to the carburetor.

RES

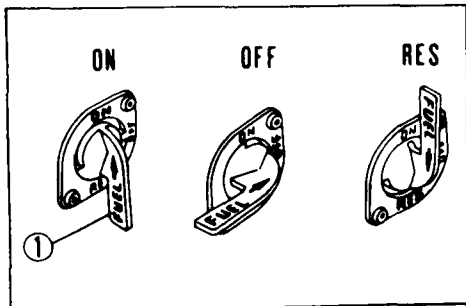
At **RES** , fuel will flow from the reserve fuel supply to the carburetor. Use the reserve fuel only when the main supply is gone. Refill the tank as soon as possible after switching to **RES** . The reserve fuel supply is **0.7ℓ (0.18 U S gal)**

WARNING

- * *Be careful not to touch any hot engine parts while operating the fuel valve.*

NOTE:

- * Do not operate the motorcycle with the fuel valve in the **RES** position after refueling. You may run out of fuel with no reserve.



(1) Fuel valve